

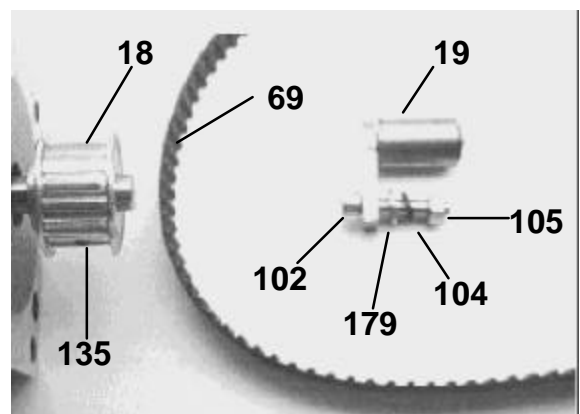
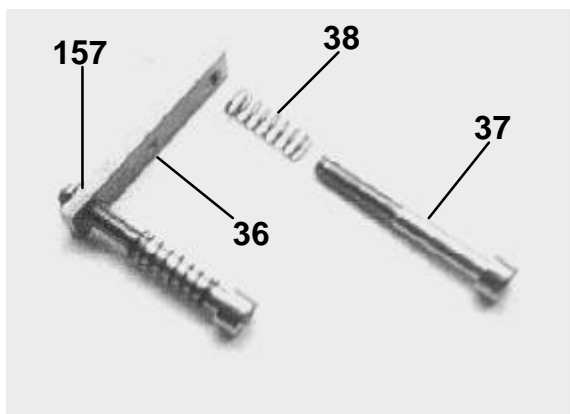
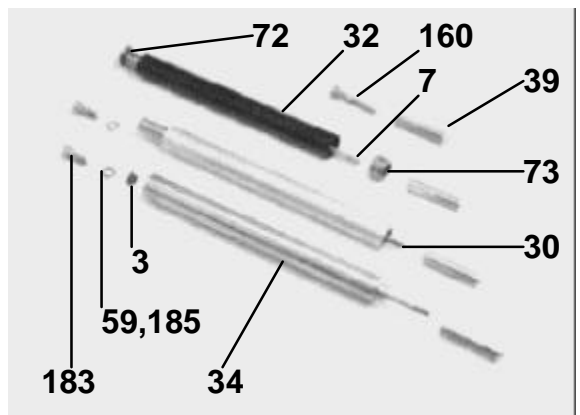
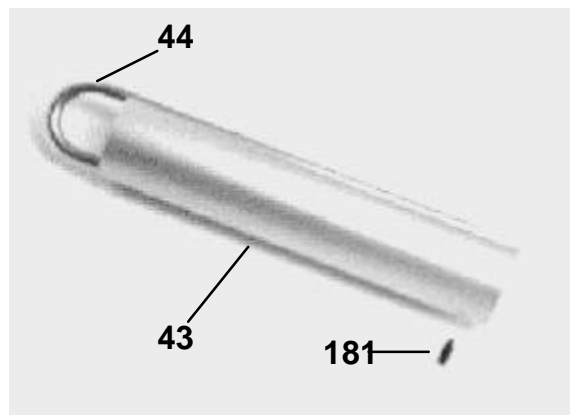
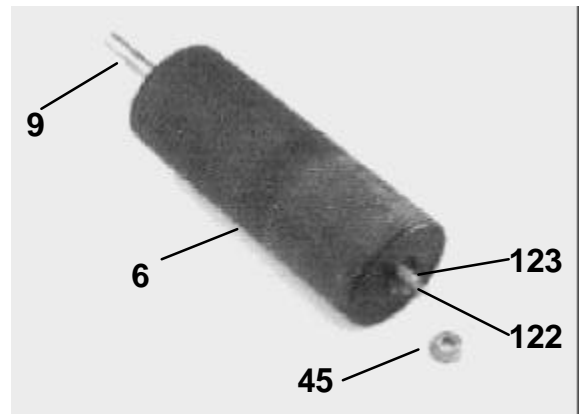
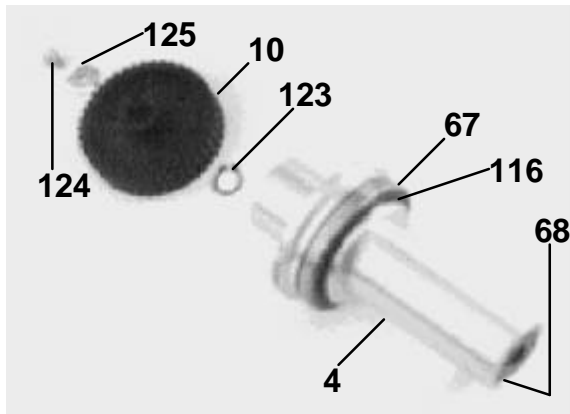
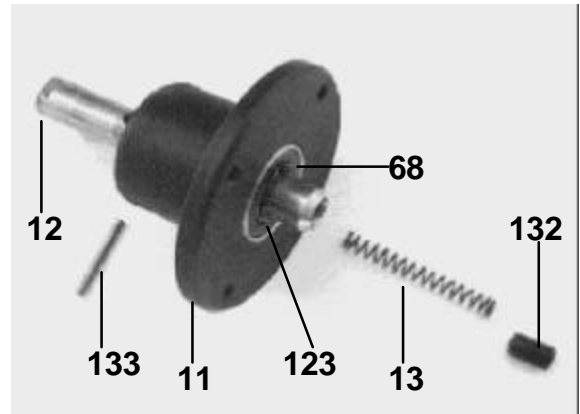
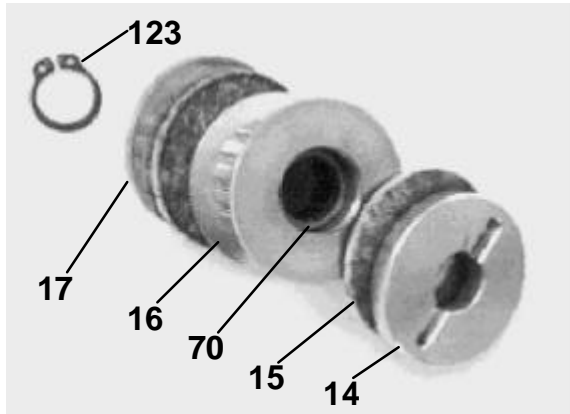
HM Collamat AG  
Pfeffingerring 201  
CH-4147 Aesch  
Switzerland

Phone +41 61 756 28 28  
Fax +41 61 756 29 29  
contact@collamat.ch  
www.collamat.ch

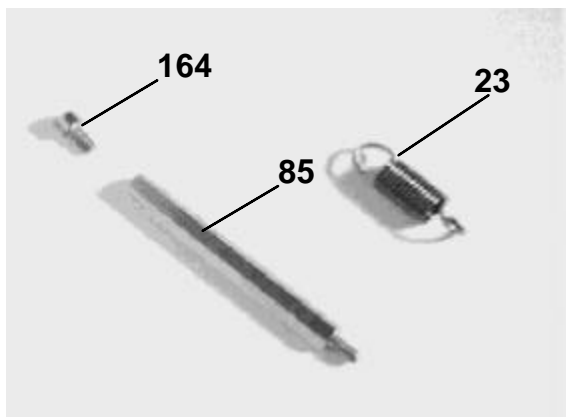
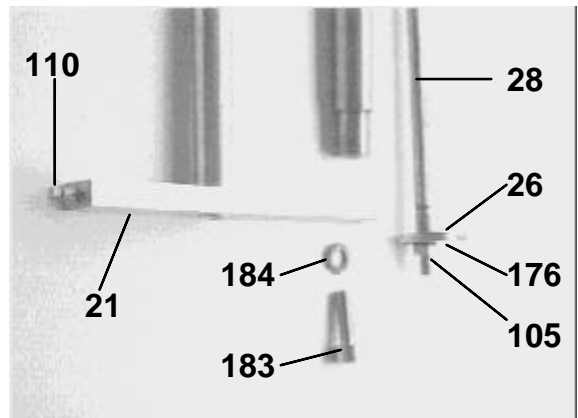
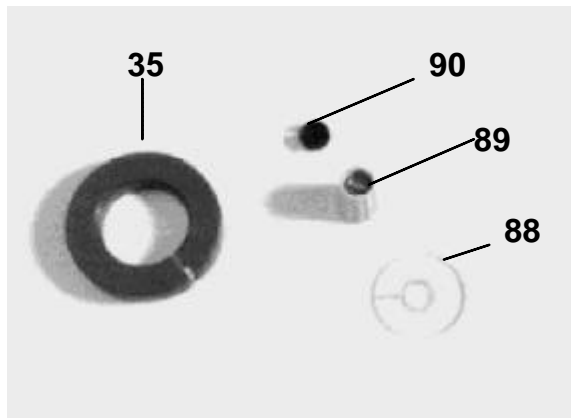
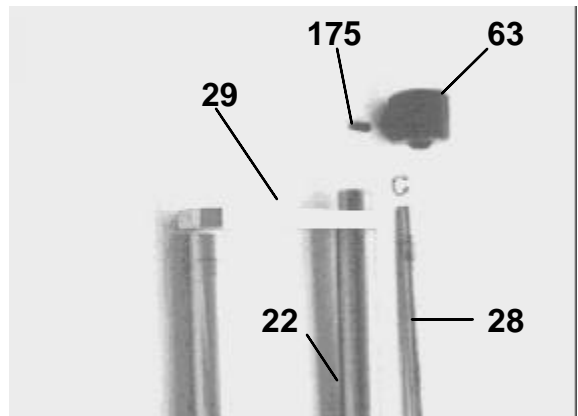
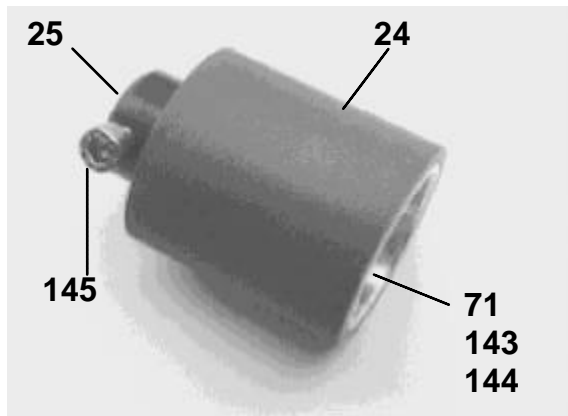
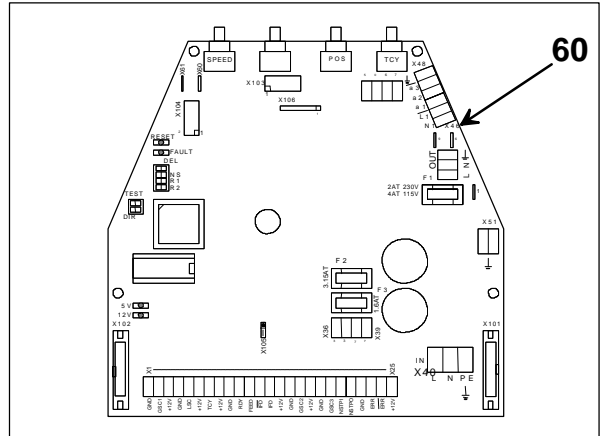
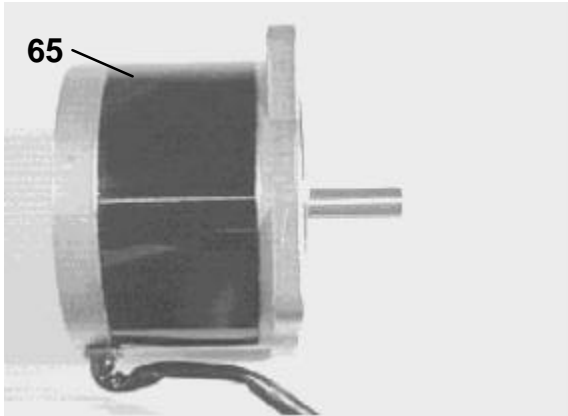
**Collamat 6600**  
Ersatzteilkatalog  
Spare part book

Anhang Technisches Handbuch 5999.525-00  
Appendix Technical Handbook 5999.525-01

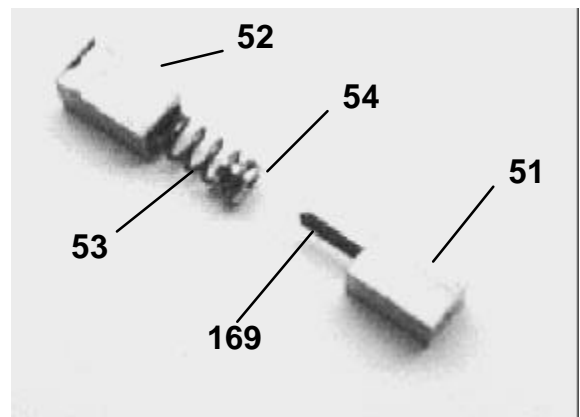
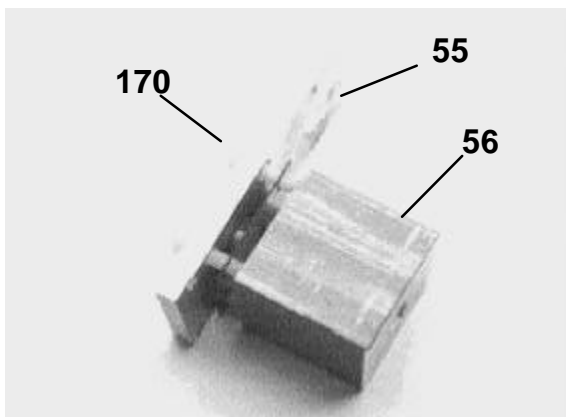
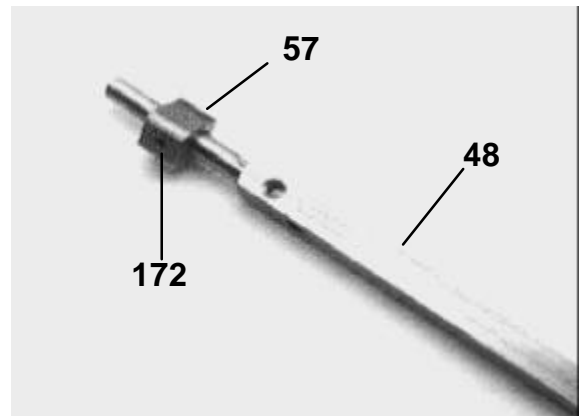
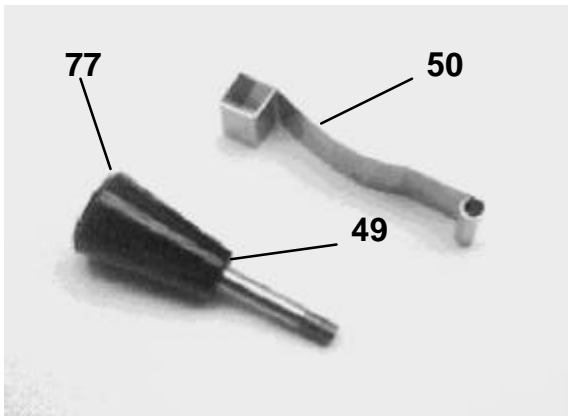
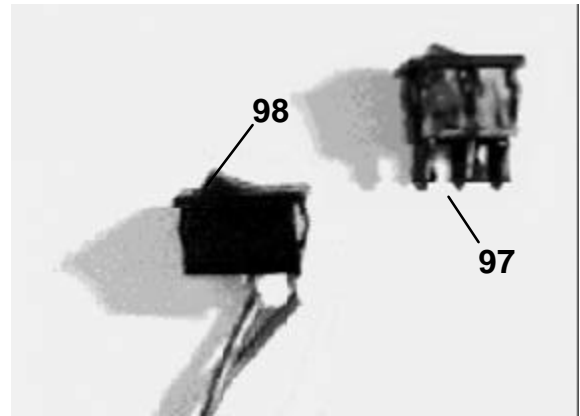
# Ersatzteile Vorzugwerk C6600 / Spare parts Traction Unit C6600



# Ersatzteile Vorzugwerk C6600 / Spare parts Traction Unit C6600



# Ersatzteile Vorzugwerk C6600 / Spare parts Traction Unit C6600



## Ersatzteile Vorzugwerk C6600 / Spare parts Traction Unit C6600

| Pos | Bezeichnung / Description                                  | Art.Nr. / Part No |
|-----|--|-------------------|
| 3   | Isolierbüchse / Insulating bush                            | 5215.8177         |
| 4   | Walzen-Lagerflansch / Rolling flange                       | 5215.0038         |
| 6   | Vorzugwalze 95 / Traction roller 95                        | 5215.3838         |
| 6   | Vorzugwalze 160 / Traction roller 160                      | 5215.3846         |
| 7   | Umlenkdnorn 95 / Reversing shaft 95                        | 5215.8188-00      |
| 7   | Umlenkdnorn 160 / Reversing shaft 160                      | 5215.8188-01      |
| 9   | Antriebswelle 95 / Motor shaft 95                          | 5215.8100-00      |
| 9   | Antriebswelle 160 / Motor shaft 160                        | 5215.8100-01      |
| 10  | Zahnriemenrad / Toothed belt roll                          | 5215.0095         |
| 11  | Kupplungs-Lagerflansch / Coupling flange                   | 5215.0110         |
| 12  | Kupplungswelle / Clutch shaft                              | 5215.0127         |
| 13  | Kupplungsfeder / Clutch facing spring                      | 5215.0135         |
| 14  | Kupplungs-Druckscheibe / Clutch facing spring              | 5215.0143         |
| 15  | Kupplungs-Filzscheibe / Felt disk                          | 5215.0151         |
| 16  | Kupplungs-Zahnriemenrad Z=17/Clutch toothed belt roll Z=17 | 5215.0168         |
| 17  | Kupplungs-Scheibe / Clutch disk                            | 5215.0176         |
| 18  | Motor-Zahnriemenrad Z=17 / Toothed belt roll Z=17          | 5215.4161         |
| 19  | Riemenspannrolle / Take-up pulley                          | 5215.0192         |
| 21  | Halter Gegenrolle 95 / Support 95                          | 5215.8111-00      |
| 21  | Halter Gegenrolle 160 / Support 160                        | 5215.8111-01      |
| 22  | Welle Gegenrolle 95 / Shaft 95                             | 5215.8122-00      |
| 22  | Welle Gegenrolle 160 / Shaft 160                           | 5215.8122-01      |
| 23  | Zugfeder / Spring  | 5215.0232         |
| 24  | Druckrolle / Pressure roller                               | 5215.0240         |
| 25  | Lagerbüchse / Bearing bush                                 | 5215.0257         |
| 26  | Oeffnungsscheibe / Disk                                    | 5215.0265         |
| 28  | Achse 95 / Axle 95   | 5215.8133-00      |
| 28  | Achse 160 / Axle 160                                       | 5215.8133-01      |
| 29  | Lasche / Bracket   | 5215.8211         |
| 30  | Umlenkdnorn 95 / Reversing shaft 95                        | 5215.8144-00      |
| 30  | Umlenkdnorn 160 / Reversing shaft 160                      | 5215.8144-01      |
| 32  | Umlenkrolle 95 D=20/18 / Reversing roll 95 D=20/18         | 5215.8155-00      |
| 32  | Umlenkrolle 160 D=20/18 / Reversing roll 160 D=20/18       | 5215.8155-01      |
| 34  | Bremsdnorn 95 / Brake shaft 95                             | 5215.8166-00      |
| 34  | Bremsdnorn 160 / Brake shaft 160                           | 5215.8166-01      |
| 35  | Seitenführung D=20 / Paperguide disk D=20                  | 5215.0354         |

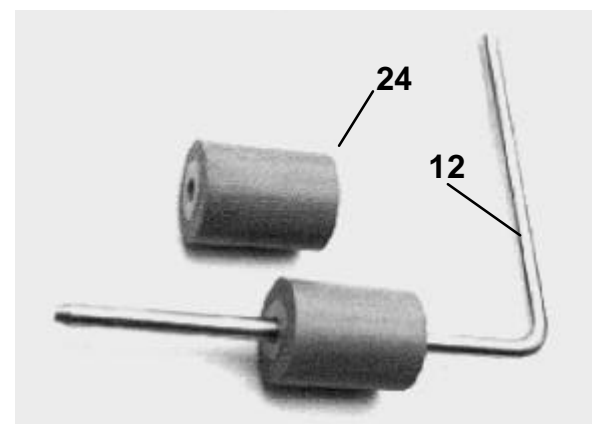
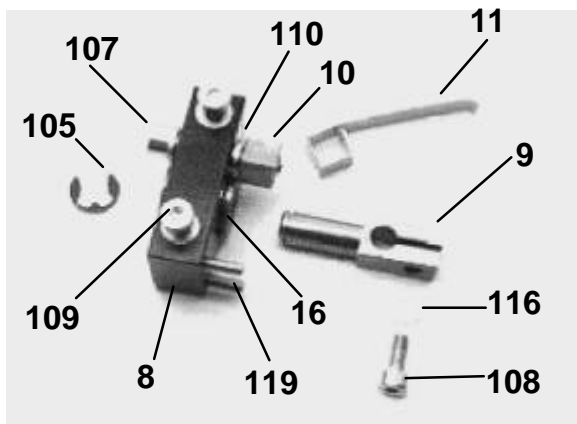
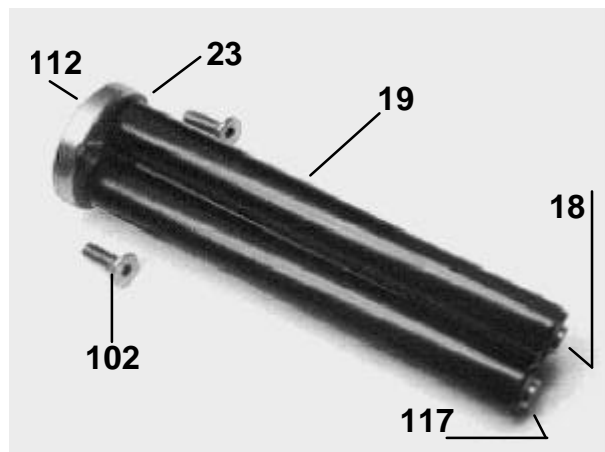
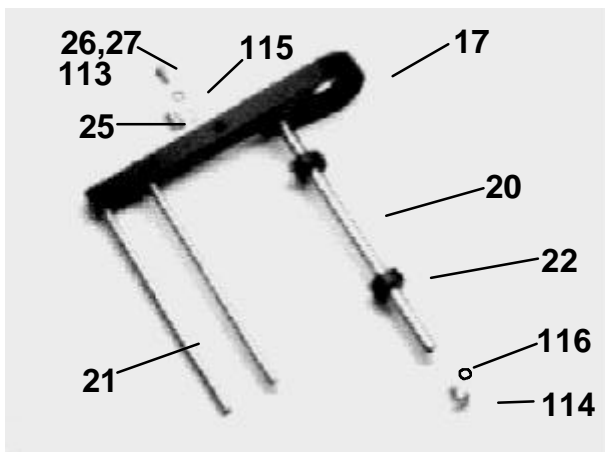
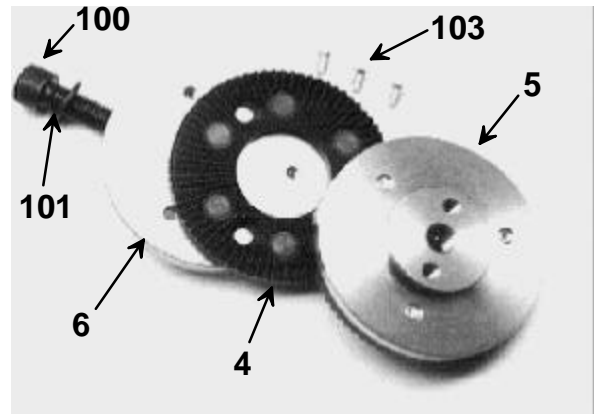
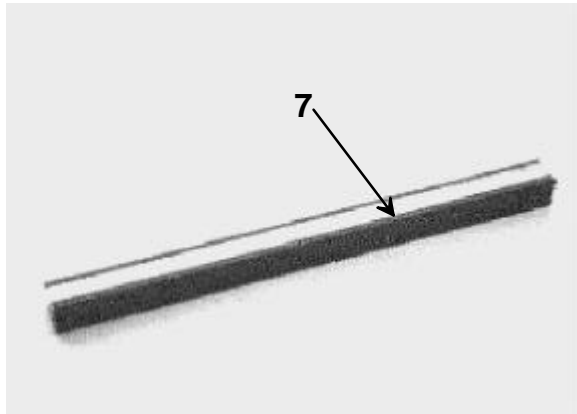
## Ersatzteile Vorzugwerk C6600 / Spare parts Traction Unit C6600

| Pos | Bezeichnung / Description                               | Art.Nr. / Part No |
|-----|---|-------------------|
| 36  | Klemmlasche / Clamping lug                              | 5215.0362         |
| 37  | Klemmschraube / Locking screw                           | 5215.0370         |
| 38  | Laschenfeder / Spring                                   | 5215.0387         |
| 39  | Distanzsäule / Distance sleeve                          | 5215.0395         |
| 43  | Wickeldorn 95 / Winding spindle 95                      | 5215.6844         |
| 43  | Wickeldorn 160 / Winding spindle 160                    | 5215.6855         |
| 44  | Spannbügel 95 / Tension lever 95                        | 5215.6866         |
| 44  | Spannbügel 160 / Tension lever 160                      | 5215.6877         |
| 45  | Rillenkugellager / Ball bearing                         | 5842.1731         |
| 48  | Vierkantprofil / Square profile                         | 5215.0484         |
| 49  | Stiftschraube / Locking screw                           | 5215.0492         |
| 50  | Bremsfeder / Brake spring                               | 5215.0508         |
| 51  | Gewindebüchse / Tapped bush                             | 5215.0516         |
| 52  | Federbüchse / Spring bush                               | 5215.0524         |
| 53  | Druckfeder / Spring                                     | 5829.0860         |
| 54  | Hütchen / Cup   | 5206.3222         |
| 55  | Klemmplatte / Clamping plate                            | 5215.0532         |
| 56  | Klemmzapfen / Clamping flange                           | 5215.8233         |
| 57  | Nocken / Lifter   | 5215.0557         |
| 59  | Isolierscheibe M6 / Insulating disk M6                  | 5215.3302         |
| 60  | Steuerprint C6600 / Control print C6600                 | 5215.7500         |
| 63  | Drehknopf / Turning button                              | 5215.0613         |
| 65  | Motor C6600 / Motor C6600                               | 7407.1717         |
| 66  | Schalter Baureihe 185 / Switch line of products 185     | 7405.1783         |
| 67  | Rillenkugellager 6810 2RS / Ball bearing 6810 2RS       | 5842.1667         |
| 68  | Rillenkugellager 6001 2RS / Ball bearing 6001 2RS       | 5842.1131         |
| 69  | Zahnriemen / Toothed belt                               | 5215.0410         |
| 70  | Nadelhülse HK 1210 / Needle bearing HK 1210             | 5842.1083         |
| 71  | Pendelkugellager / Spherical roller bearing             | 5842.1650         |
| 72  | Haltering D=19,7 / Supporting ring D=19,7               | 5826.0647         |
| 73  | Nadelhülse HK 1212 18/1 / Needle bearing HK 1212 18/1   | 5842.1180         |
| 77  | Schalthebelgriff / Gear shift                           | 5850.0082         |
| 85  | Distanzsäule print-Deckel / Distance sleeve print cover | 5215.4120         |
| 88  | Scheibe zu POTI-Knopf / Disk                            | 7401.4733         |
| 89  | Drehknopf POTI / Turning knob                           | 7401.4717         |
| 90  | Deckel zu POTI-Knopf / Cover                            | 7401.4725         |

## Ersatzteile Vorzugwerk C6600 / Spare parts Traction Unit C6600

| Pos | Bezeichnung / Description                              | Art.Nr. / Part No |
|-----|--|-------------------|
| 92  | Bedienungsplatte / Control plate                       | 5215.6721         |
| 93  | Schalterdeckel / Switch cover                          | 5215.4104         |
| 97  | Netz-Wippenschalter / Mains Rocker switch              | 7405.1783         |
| 98  | Wippenschalter Data-Hold / Rocker switch Data-Hold     | 7405.0535         |
| 102 | Zylinderschraube M5x18 / Cheese head screw M5x18       | NS00.7029Z        |
| 104 | Fächerscheibe M5 / Serrated lock washer M5             | NS27.0001Z        |
| 105 | Sechskantmutter M5 / Hexagon nut M5                    | NS24.1003Z        |
| 109 | Kerbschraube M2,9x6,5 / Screw M2,9x6,5                 | NS01.3002Z        |
| 110 | Passkerbstift 4x16 / Close-tolerance grooved pin M4x16 | NS32.5000Z        |
| 116 | Sprengring INA D=50 / Snap ring INA D=50               | NS28.2501B        |
| 122 | Federkeil 4x4x14 / Key 4x4x14                          | NS30.0007U        |
| 123 | Sicherungsring D=12 / Locking ring D=12                | NS29.5007B        |
| 124 | Sechskantschraube M5x6 / Hexagon head cap screw M5x6   | NS12.2035Z        |
| 125 | Sicherungsblech M5 / Locking plate M5                  | NS29.1501Z        |
| 132 | Gewindestift M8x12 / Set screw M8x12                   | NS16.6027B        |
| 133 | Zylinderstift D=3x25 / Parallel pin D=3x25             | NS32.2032B        |
| 135 | Gewindestift M4x5 / Set screw M4x5                     | NS16.6033Z        |
| 143 | Sicherungsring D=35 / Locking ring D=35                | NS29.6002B        |
| 144 | Sicherungsring D=15 / Locking ring D=15                | NS29.5003B        |
| 145 | Zylinderschraube M6x8 / Cheese head screw M6x8         | NS00.7051U        |
| 157 | Sicherungsscheibe D=4 / Locking disk D=4               | NS28.4005B        |
| 160 | Zylinderschraube M6x35 / Cheese head screw M6x35       | NS00.5042U        |
| 164 | Zylinderschraube M4x8 / Cheese head screw M4x8         | NS00.7052U        |
| 169 | Gewindestift M3x25 / Set screw M3x25                   | NS16.3018B        |
| 170 | Zylinderschraube M4x10 / Cheese head screw M4x10       | NS00.0007         |
| 172 | Schwerspannstift D=2x14 / Pin D=2x14                   | NS32.1024B        |
| 175 | Gewindestift M4x8 / Set screw M4x8                     | NS16.4004B        |
| 176 | Federring M5 / Spring disk M5                          | NS28.3003B        |
| 179 | Unterlagsscheibe M5 / Washer M5                        | NS29.0504Z        |
| 181 | Gewindestift M5x10 / Set screw M5x10                   | NS16.4009B        |
| 183 | Zylinderschraube M6x16 / Cheese head screw M6x16       | NS00.7022Z        |
| 184 | Federring M6 / Spring disk M6                          | NS28.3004B        |
| 185 | Unterlagsscheibe M6 / Washer M6                        | NS29.0004Z        |

## Ersatzteile Adapter Federnd 95 / Spare parts Adapter Spring 95



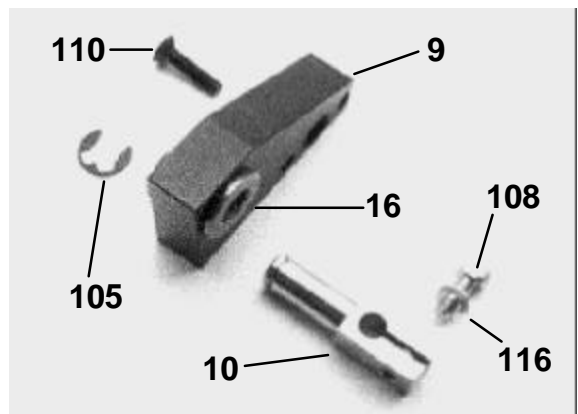
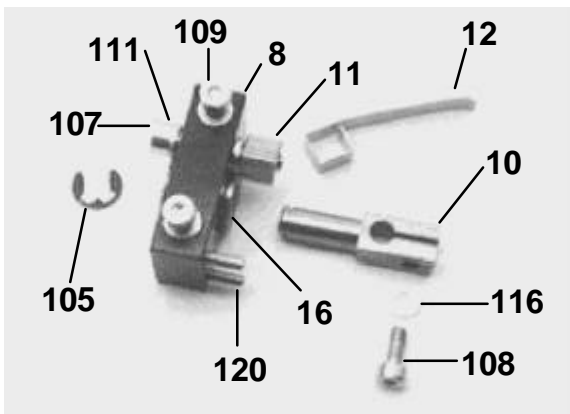
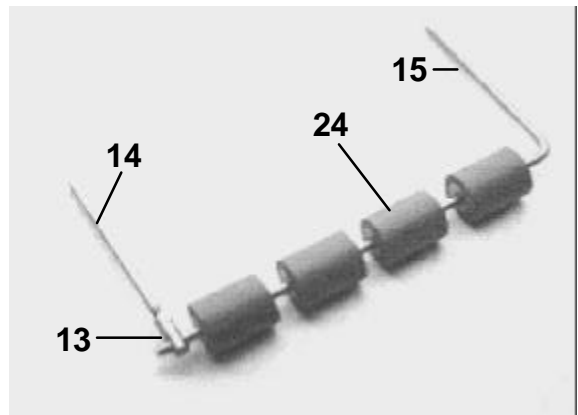
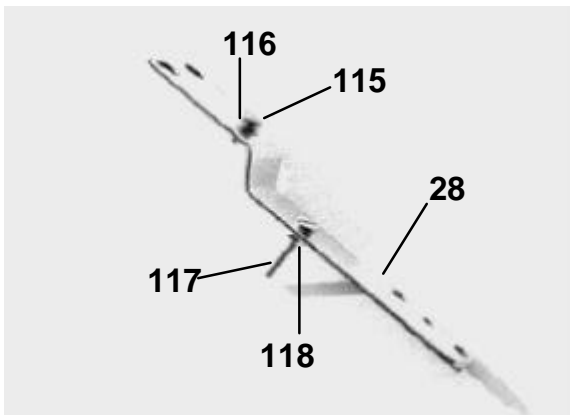
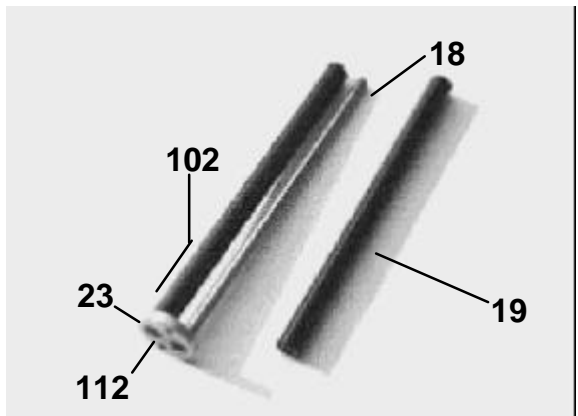
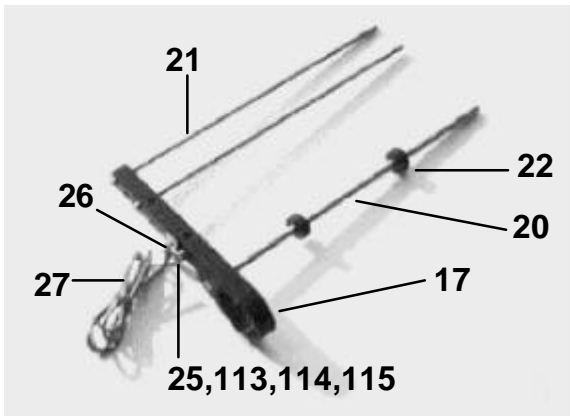
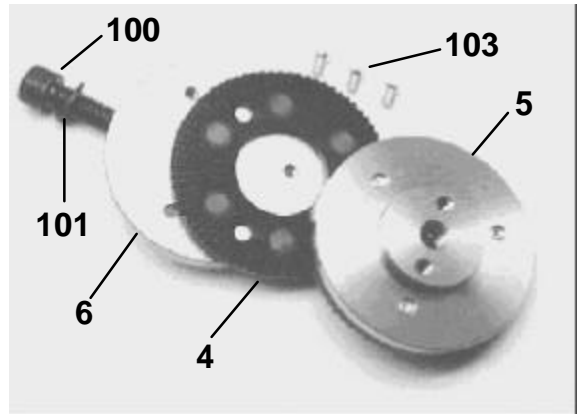
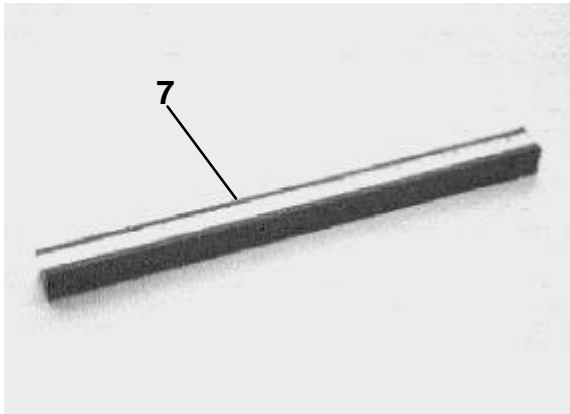
| Pos | Bezeichnung / Description                  | Art.Nr. / Part No |
|-----|--|-------------------|
| 4   | Planritzel (schwarz) / Pinion (black)      | 5215.1407         |
| 5   | Verbindungsflansch / Flange                | 5215.6777         |
| 6   | Verbindungsflansch / Flange                | 5215.6788         |
| 7   | Modulschiene Adapter / Module rail adapter | 5215.6799         |
| 8   | Halter / Support                           | 5215.7000         |
| 9   | Rollenhalter / Roll support                | 5215.7022         |
| 10  | Federhalter / Spring support               | 5215.7033         |



## Ersatzteile Adapter Federnd 95 / Spare parts Adapter Spring 95

| Pos | Bezeichnung / Description                               | Art.Nr. / Part No |
|-----|---|-------------------|
| 11  | Feder / Spring  | 5215.7044         |
| 12  | Rollenachse 95 / Axle 95                                | 5215.7077         |
| 16  | Sinterlager / Porous bearing                            | 5843.0828         |
| 17  | Hebel / Lever   | 5215.1545         |
| 18  | Achse 95 / Axle 95                                      | 5215.1561         |
| 19  | Rolle 95 / Roll 95                                      | 5215.1553         |
| 20  | Achse 95 / Axle 95                                      | 5215.1286         |
| 21  | Achse 95 / Axle 95                                      | 5215.1294         |
| 22  | Stellring komb. / Set collar comb.                      | 5215.1326         |
| 23  | Flansch / Flange  | 5215.1520         |
| 24  | Andrückrolle komb. / Pressing roll comb.                | 5208.3246         |
| 25  | Kabelbride / Cable clamp                                | 7401.0650         |
| 26  | Quetschkabelschuh isol./ Cable lug isol.                | 7401.4877         |
| 27  | Litze 0,5 (grün, gelb) / Litz 0,5 (green, yellow)       | 7400.4421         |
| 100 | Zylinderschraube m. I-6Kt M8x40/Cheese head screw M8x40 | NS00.058.2        |
| 101 | Federring M8 / Spring disk M8                           | NS28.014.2        |
| 102 | Senkschraube m. I-6Kt M4x12 / Countersunk screw M4x12   | NS04.5018U        |
| 103 | Senkschraube m. I-6Kt M4x6 / Countersunk screw M4x6     | NS04.3004Z        |
| 105 | Sicherungsscheibe D=6 / Locking disk D=6                | NS28.4004B        |
| 107 | Zylinderschraube m. I-6Kt M5x25 / Cheese head screw     | NS00.5006Z        |
| 108 | Zylinderschraube m. I-6Kt M4x10 / Cheese head screw     | NS00.7001Z        |
| 109 | Zylinderschraube m. I-6Kt M4x30 / Cheese head screw     | NS00.5007Z        |
| 110 | Unterlagsscheibe M5 / Washer M5                         | NS29.0003Z        |
| 112 | Senkschraube m. I-6Kt. M4x12 / Countersunk screw M4x12  | NS04.5003B        |
| 113 | Zylinderschraube M3x6 / Cheese head screw M3x6          | NS00.0002Z        |
| 114 | Zylinderschraube M4x6 / Cheese head screw M4x6          | NS00.0005Z        |
| 115 | Rippenscheibe M3 / Ribbed disk M3                       | NS28.1001B        |
| 116 | Unterlagsscheibe M4 / Washer M4                         | NS29.0503Z        |
| 117 | Spannring BENZING D=6 / Circlip BENZING D=6             | NS28.7001B        |
| 119 | Passkerbstift D=3x16 / Pin D=3x16                       | NS32.6011U        |

# Ersatzteile Adapter Federnd 160 / Spare parts Adapter Spring 160



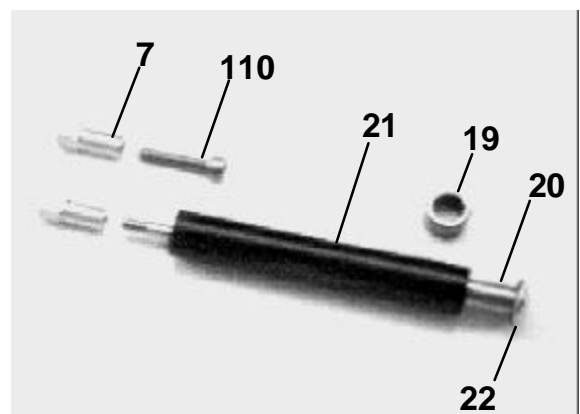
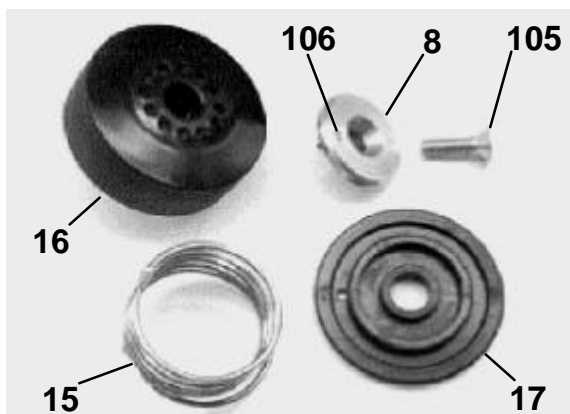
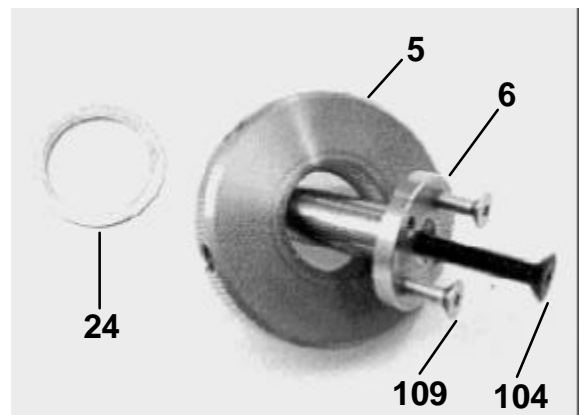
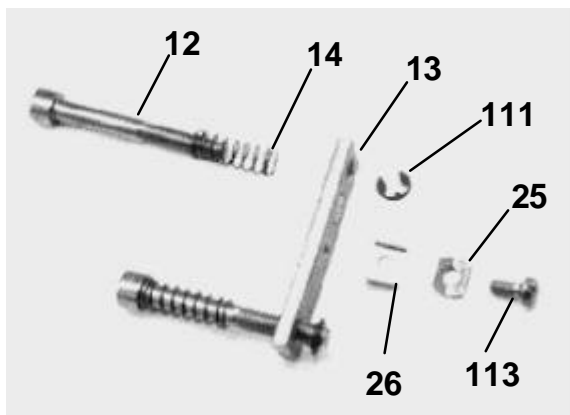
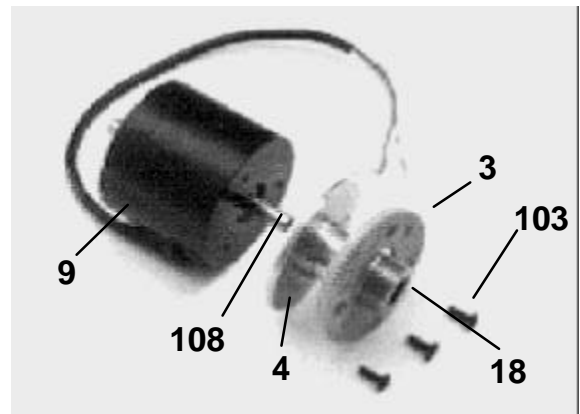
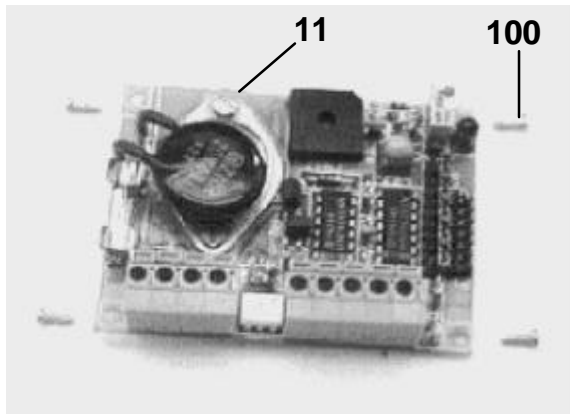
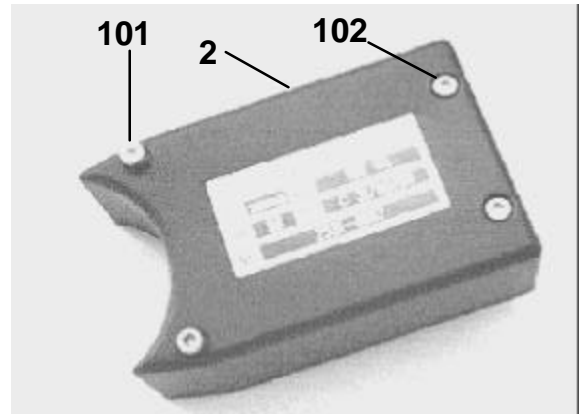
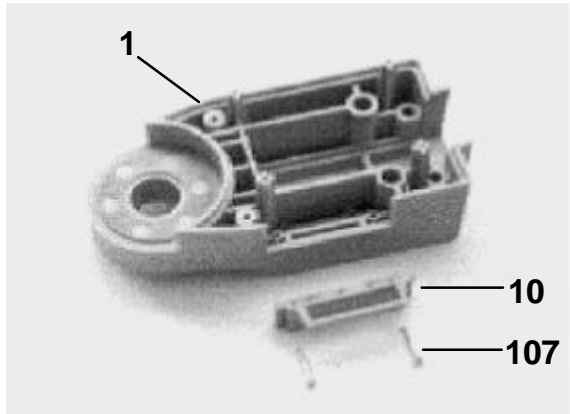
## Ersatzteile Adapter Federnd 160 / Spare parts Adapter Spring 160

| Pos | Bezeichnung / Description                         | Art.Nr. / Part No. |
|-----|---|--------------------|
| 4   | Planritzel (schwarz) / Pinion (black)             | 5215.1407          |
| 5   | Verbindungsflansch / Flange                       | 5215.6777          |
| 6   | Verbindungsflansch / Flange                       | 5215.6788          |
| 7   | Modulschiene Adapter / Modul rail adapter         | 5215.6799          |
| 8   | Halter (rechts) / Support (right)                 | 5215.7000          |
| 9   | Halter (links) / Support (left)                   | 5215.7011          |
| 10  | Rollenhalter / Roll support                       | 5215.7022          |
| 11  | Federhalter / Spring support                      | 5215.7033          |
| 12  | Feder / Spring                                    | 5215.7044          |
| 13  | Verbindungsstück / Connecting piece               | 5215.7055          |
| 14  | Halterachse / Support axle                        | 5215.7066          |
| 15  | Rollenachse 160 / Axle 160                        | 5215.7088          |
| 16  | Sinterlager / Porous bearing                      | 5843.0828          |
| 17  | Hebel / Lever                                     | 5215.1545          |
| 18  | Achse 160 / Axle 160                              | 5215.1601          |
| 19  | Rolle 160 / Roll 160                              | 5215.1594          |
| 20  | Achse 160 / Axle 160                              | 5215.1301          |
| 21  | Achse 160 / Axle 160                              | 5215.1318          |
| 22  | Stellring komb. / Set collar comb.                | 5215.1326          |
| 23  | Flansch / Flange                                  | 5215.1520          |
| 24  | Andrückrolle komb. / Pressing roll comb.          | 5208.3246          |
| 25  | Kabelbride / Cable clamp                          | 7401.0650          |
| 26  | Quetschkabelschuh isol. / Cable lug isol.         | 7401.4877          |
| 27  | Litze 0,5 (grün, gelb) / Litz 0,5 (green, yellow) | 7400.4421          |
| 28  | Fixierung (rechts) / Fixed flange (right)         | 5215.1342          |
| 28  | Fixierung (links) / Fixed flange (left)           | 5215.1350          |
| 100 | Zylinderschraube M8x40 / Cheese head screw M8x40  | NS00.058.2         |
| 101 | Federring M8 / Spring disk M8                     | NS28.014.2         |
| 102 | Senkschraube M4x12 / Countersunk screw M4x12      | NS04.5018U         |
| 103 | Senkschraube M4x6 / Countersunk screw M4x6        | NS04.3004Z         |
| 105 | Sicherungsscheibe D=6 / Locking ring D=6          | NS28.4004B         |
| 107 | Zylinderschraube M5x25 / Cheese head screw M5x25  | NS00.5006Z         |
| 108 | Zylinderschraube M4x10 / Cheese head screw M4x10  | NS00.7001Z         |
| 109 | Zylinderschraube M4x30 / Cheese head screw M4x30  | NS00.5007Z         |
| 110 | Senkschraube M4x16 / Countersunk screw M4x16      | NS04.5004B         |
| 111 | Unterlagsscheibe M5 / Washer M5                   | NS29.0003Z         |

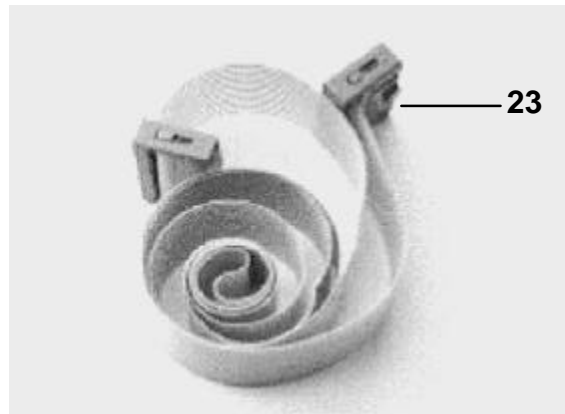
## Ersatzteile Adapter Federnd 160 / Spare parts Adapter Spring 160

| <b>Pos</b> | <b>Bezeichnung / Description</b>                 | <b>Art.Nr. / Part No.</b> |
|------------|--|---------------------------|
| 112        | Senkschraube M4x12 / Countersunk screw M4x12     | NS04.5003B                |
| 113        | Zylinderschraube M3x6 / Cheese head screw M3x6   | NS00.0002Z                |
| 114        | Rippenscheibe M3 / Ribbed disk M3                | NS28.1001B                |
| 115        | Zylinderschraube M4x6 / Cheese head screw M4x6   | NS00.0005Z                |
| 116        | Unterlagsscheibe M4 / Washer M4                  | NS29.0503Z                |
| 117        | Zylinderschraube M3x16 / Cheese head screw M3x16 | NS00.0004Z                |
| 118        | Sechskantmutter M3 / Hexagon nut M3              | NS24.2008Z                |
| 120        | Passkerbstift D=3x16 / Pin D=3x16                | NS32.6011U                |

# Ersatzteile Adapter Magnet / Spare parts Adapter Magnet



## Ersatzteile Adapter Magnet / Spare parts Adapter Magnet

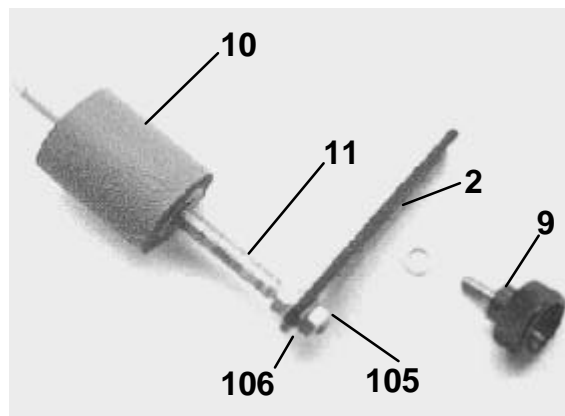
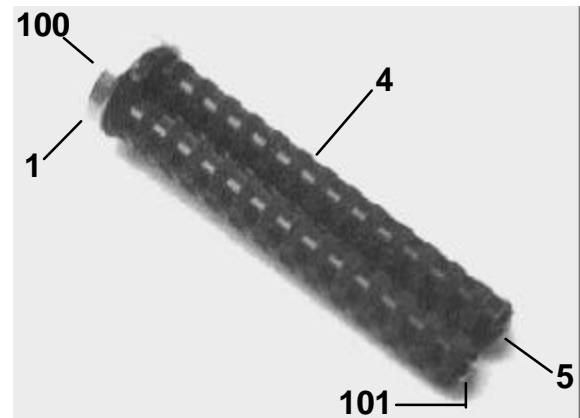
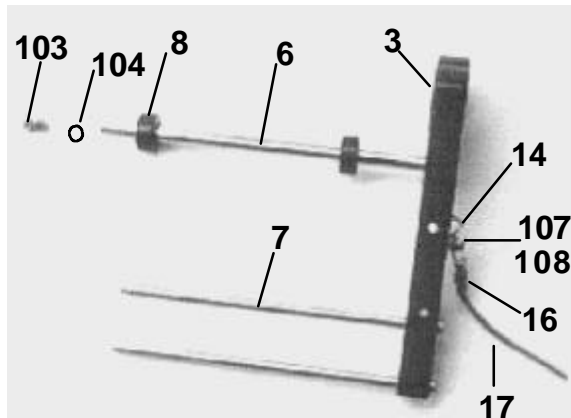


| Pos | Bezeichnung / Description                             | Art.Nr. / Part No |
|-----|---|-------------------|
| 1   | Adaptergehäuse / Flapadapter shell                    | 5215.4550         |
| 2   | Deckel / Cover  | 5215.1391         |
| 3   | Planritzel (schwarz) / Pinion (black)                 | 5215.1407         |
| 4   | Magnetflansch / Magnet flange                         | 5215.1415         |
| 5   | Ringmutter / Ring nut                                 | 5215.1423         |
| 6   | Magnetachse / Magnet axle                             | 5215.1431         |
| 7   | Doppelmutter / Two nuts                               | 5215.1448         |
| 8   | Federfixierflansch / Spring holder                    | 5215.0970         |
| 9   | Drehmagnet 230V / Torque magnet 230V                  | 5215.1456         |
| 9   | Drehmagnet 110V / Torque magnet 110V                  | 5215.3465         |
| 10  | Rundkabelbride / Cable clamp                          | 5215.0013         |
| 11  | Adapter Print GS 070/C3 / Flapadapter Print GS 070/C3 | 5215.1497         |
| 12  | Klemmschraube / Locking screw                         | 5215.0370         |
| 13  | Klemmlasche / Clamping lug                            | 5215.0362         |
| 14  | Laschenfeder / Spring                                 | 5215.0387         |
| 15  | Torsionsfeder rechts / Torsion spring right           | 5829.1232         |
| 15  | Torsionsfeder links / Torsion spring left             | 5829.1313         |
| 16  | Einstellrad / Knurling knob                           | 5208.3092         |
| 17  | Federteller / Spring plate                            | 5208.3302         |
| 18  | Nadelhülse HK 1210 16/1 / Needle bearing HK 1210 16/1 | 5842.1083         |
| 19  | Nadelhülse HK 1212 18/1 / Needle bearing HK 1212 18/1 | 5842.1180         |
| 20  | Umlenkdom 95 / Reversing shaft 95                     | 5215.0298         |
| 20  | Umlenkdom 160 / Reversing shaft 160                   | 5215.0305         |
| 21  | Umlenkrolle 95 D=20/18 / Reversing roll 95 D=20/18    | 5215.0313         |
| 21  | Umlenkrolle 160 D=20/1 / Reversing roll 160 D=20/1    | 5215.0321         |
| 22  | Haltering D=10 19,7 / Supporting ring D=10 19,7       | 5826.0647         |
| 23  | Roll-up Kabel / Roll-up cable                         | 5215.1504         |

## Ersatzteile Adapter Magnet / Spare parts Adapter Magnet

| Pos | Bezeichnung / Description                             | Art.Nr. / Part No |
|-----|---|-------------------|
| 24  | Distanzring / Distance ring                           | 5215.1512         |
| 25  | Klemmplättchen / Clamping plate                       | 7401.1622         |
| 26  | Klemmschiene / Clamping rail                          | 7401.1630         |
| 100 | Kerbschraube M2,2x6,5 / Screw M2,2x6,5                | NS01.3000Z        |
| 101 | Zylinderschraube m. I-6Kt M4x45 / Cheese head screw   | NS00.5043U        |
| 102 | Zylinderschraube m. I-6Kt M4x35 / Cheese head screw   | NS00.5044U        |
| 103 | Senkschraube M4x12 / Countersunk screw M4x12          | NS04.5003B        |
| 104 | Senkschraube M5x35 / Countersunk screw M5x35          | NS04.5016B        |
| 105 | Senkschraube m. I-6Kt M5x16 / Countersunk screw M5x16 | NS04.5017U        |
| 106 | Steckkerbstift D=2x6 / Pin D=2x6                      | NS32.4007B        |
| 107 | Kerbschraube D=2,9x19 / Screw D=2,9x19                | NS01.3005Z        |
| 108 | Schwerspannstift D=3x12 / Pin D=3x12                  | NS32.1007B        |
| 109 | Senkschraube m. I-6Kt. M4x12 /Countersunk screw M4x12 | NS04.5018U        |
| 110 | Zylinderschraube m. I-6Kt. M6x30 / Cheese head screw  | NS00.7053U        |
| 111 | Sicherungsscheibe D=4 / Locking disk D=4              | NS28.4005B        |
| 113 | Zylinderschraube m. I-6Kt. M4x8 /Cheese head screw    | NM00.0070U        |

## Ersatzteile Adapterhebel 95 / Spare parts Adapter lever 95



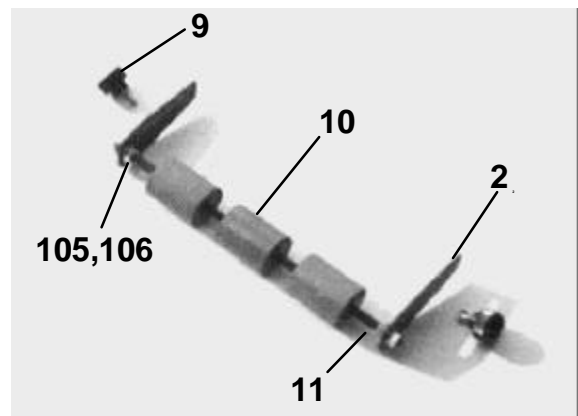
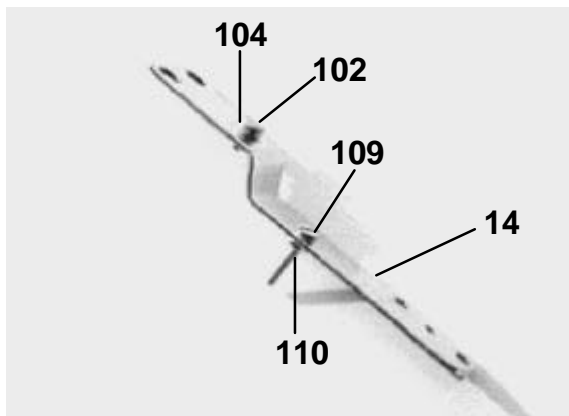
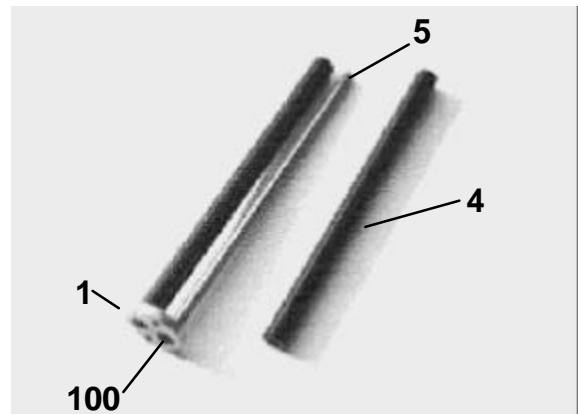
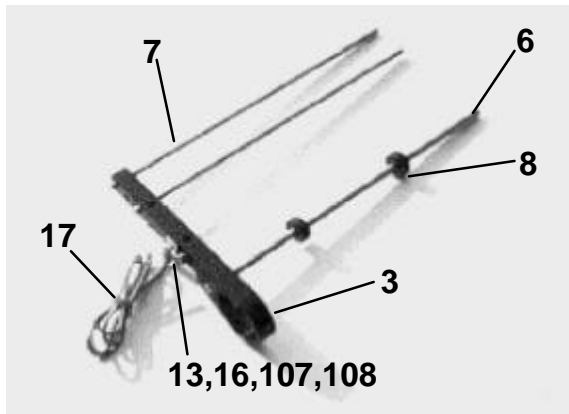
| Pos | Bezeichnung / Description                         | Art.Nr. / Part No. |
|-----|---|--------------------|
| 1   | Flansch / Flange                                  | 5215.1520          |
| 2   | Rollenhalter / Roll support                       | 5215.1537          |
| 3   | Hebel / Lever                                     | 5215.1545          |
| 4   | Rolle 95 / Roll 95                                | 5215.1553          |
| 5   | Achse 95 / Axle 95                                | 5215.1561          |
| 6   | Achse 95 / Axle 95                                | 5215.1286          |
| 7   | Achse 95 / Axle 95                                | 5215.1294          |
| 8   | Stelling komb. / Set collar comb.                 | 5215.1326          |
| 9   | Rändelschraube M4x10 / Knurling screw M4x10       | 5850.0600          |
| 10  | Andrückrolle komb. / Pressing roll comb.          | 5208.3246          |
| 11  | Rollenachse 95 / Axle 95                          | 5208.3270          |
| 14  | Kabelbride / Cable clamp                          | 7401.0650          |
| 16  | Quetschkabelschuh isol. / Cable lug isol.         | 7401.4877          |
| 17  | Litze 0,5 (grün, gelb) / Litz 0,5 (green, yellow) | 7400.4421          |
| 100 | Senkschraube M4x12 / Countersunk screw M4x12      | NS04.5003B         |
| 101 | Spannring BENZING D=6 / Circlip BENZING D=6       | NS28.7001B         |
| 103 | Zylinderschraube M4x6 / Cheese head screw M4x6    | NS00.0005Z         |
| 104 | Unterlagsscheibe M4 / Washer M4                   | NS29.0503Z         |



## **Ersatzteile Adapterhebel 95 / Spare parts Adapter lever 95**

| <b>Pos</b> | <b>Bezeichnung / Description</b>               | <b>Art.Nr. / Part No.</b> |
|------------|--|---------------------------|
| 105        | Sechskantmutter M5 / Hexagon nut M5            | NA24.1010U                |
| 106        | Unterlagsscheibe M5 / Washer M5                | NA29.0009U                |
| 107        | Zylinderschraube M3x6 / Cheese head screw M3x6 | NS00.0002Z                |
| 108        | Rippenscheibe M3 / Ribbed disk M3              | NS28.1001B                |

## Ersatzteile Adapterhebel 160 / Spare parts Adapter lever 160

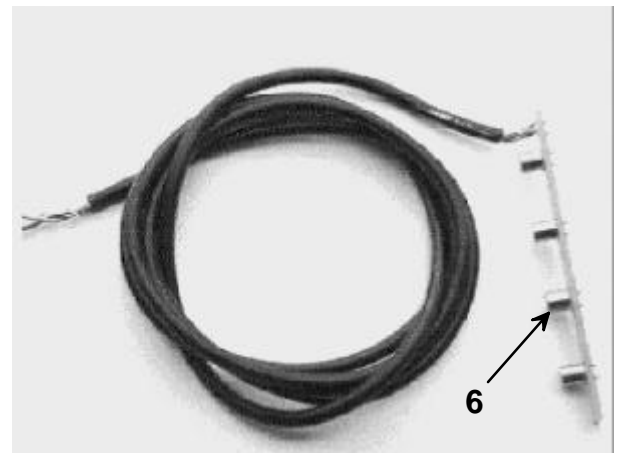
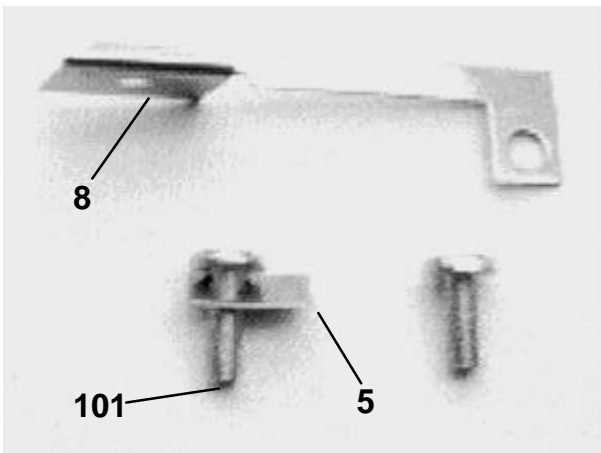
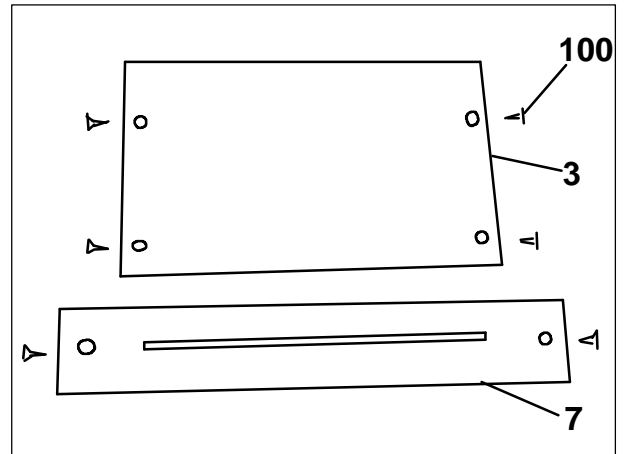
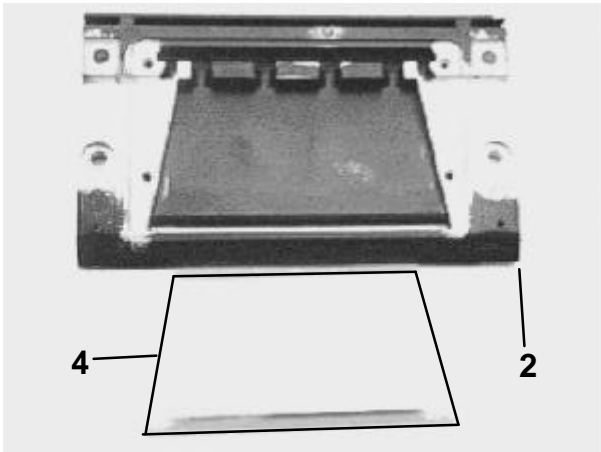


| Pos | Bezeichnung / Description                              | Art.Nr. / Part No. |
|-----|--|--------------------|
| 1   | Flansch / Flange                                       | 5215.1520          |
| 2   | Rollenhalter / Roll support                            | 5215.1537          |
| 3   | Hebel / Lever  | 5215.1545          |
| 4   | Rolle 160 / Roll 160                                   | 5215.1594          |
| 5   | Achse 160 / Axle 160                                   | 5215.1601          |
| 6   | Achse 160 / Axle 160                                   | 5215.1301          |
| 7   | Achse 160 / Axle 160                                   | 5215.1318          |
| 8   | Stellring komb. / Set collar comb.                     | 5215.1326          |
| 9   | Rändelschraube M4x10 / Knurling screw M4x10            | 5850.0600          |
| 10  | Andruckrolle komb. / Pressing roll comb.               | 5208.3246          |
| 11  | Rollenachse 160 / Axle 160                             | 5215.3668          |
| 13  | Kabelbride / Cable clamp                               | 7401.0650          |
| 14  | Fixierung rechts / Fixing right                        | 5215.1342          |
| 14  | Fixierung links / Fixing left                          | 5215.1350          |
| 16  | Quetschkabelschuh isol. / Cable lug isol.              | 7401.4877          |
| 17  | Litze 0,5 (grün,gelb) / Litz 0,5 (green, yellow)       | 7400.4421          |
| 100 | Senkschraube M4x12 / Countersunk screw M4x12           | NS04.5003B         |
| 102 | Zylinderschraube m. I-6Kt. M4x6/Cheese head screw M4x6 | NS00.0005Z         |

## **Ersatzteile Adapterhebel 160 / Spare parts Adapter lever 160**

| <b>Pos</b> | <b>Bezeichnung / Description</b>                       | <b>Art.Nr. / Part No.</b> |
|------------|--|---------------------------|
| 104        | Unterlagsscheibe M4 / Washer M4                        | NS29.0503Z                |
| 105        | Sechskantmutter M5 / Hexagon nut M5                    | NA24.1010U                |
| 106        | Unterlagsscheibe M5 / Washer M5                        | NA29.0009U                |
| 107        | Zylinderschraube m. I-6Kt. M3x6/Cheese head screw M3x6 | NS00.0002Z                |
| 108        | Rippenscheibe M3 / Ribbed disk M3                      | NS28.1001B                |
| 109        | Zylinderschraube m.I-6Kt M3x16/Cheese head screwM3x16  | NS00.0004Z                |
| 110        | Sechskantmutter M3 / Hexagon nut M3                    | NS24.2008Z                |

## Ersatzteile Optisch E-Abtastung / Spare parts Optical label scan



| Pos | Bezeichnung / Description                               | Art.Nr. / Part No |
|-----|---|-------------------|
| 2   | Abtastplatte 95 / Scan area 95                          | 5215.1075         |
| 2   | Abtastplatte 160 / Scan area 160                        | 5215.1083         |
| 3   | Abdeckung / Cap   | 5215.1091         |
| 4   | Lichtleiter / Light guide                               | 5215.1148         |
| 5   | Kabelbride / Cable clip                                 | 5215.1156         |
| 6   | Sender print GS073 / Transmitter print GS073            | 5215.1204         |
| 7   | Ablösleiste 95 / Small rail 95                          | 5215.1212         |
| 7   | Ablösleiste 160 / Small rail 160                        | 5215.1220         |
| 8   | Erdungsleiter links / Earth plate left                  | 5215.2460         |
| 8   | Erdungsleiter rechts / Earth plate right                | 5215.2452         |
| 100 | Senkblechschraube M2,2x4,5 / Countersunk screw M2,2x4,5 | NS05.0002Z        |
| 101 | Flachkopfschraube M4x12 / Pan head screw M4x12          | NS08.1014Z        |

## Ersatzteile Abtastköpfe / Spare parts Scanning head

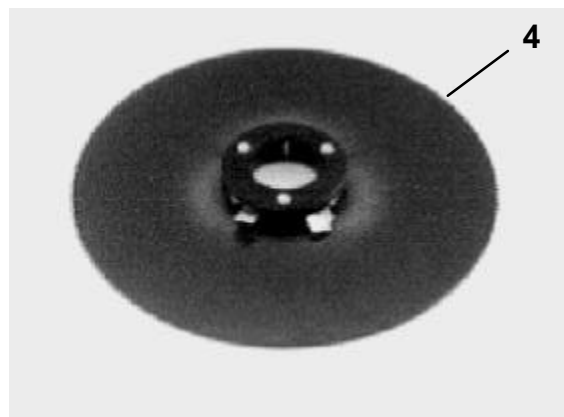
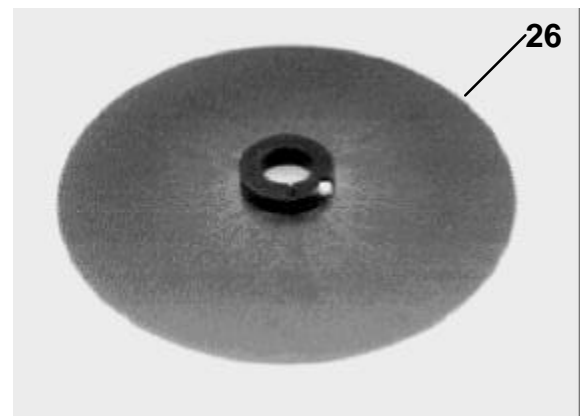
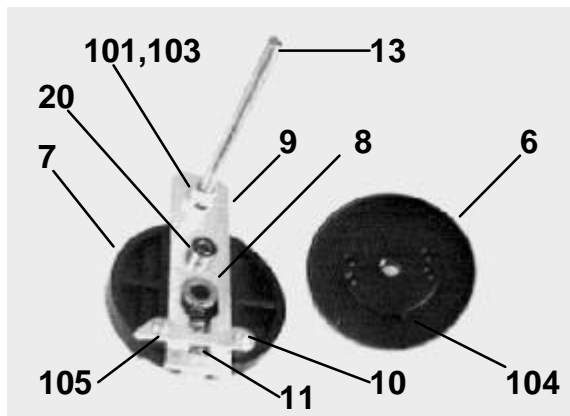
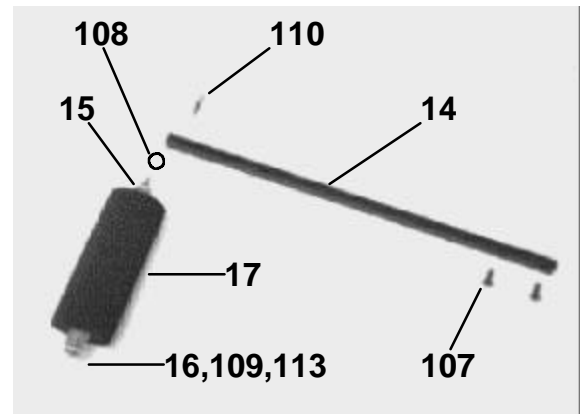
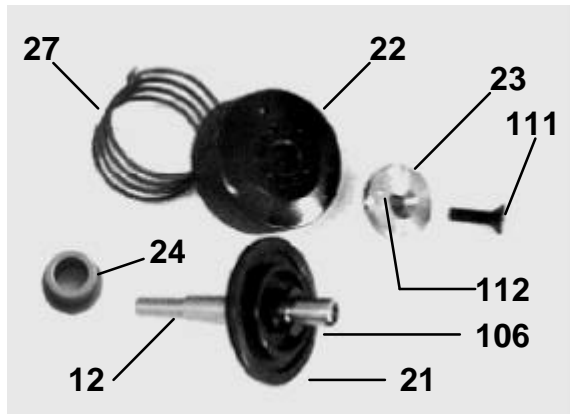


| <b>Bezeichnung / Description</b>           | <b>Art.Nr. / Part No.</b> |
|--|---------------------------|
| Abtastkopf optisch / Optical scanning head | 5215.2388                 |



| <b>Bezeichnung / Description</b>               | <b>Art.Nr. / Part No.</b> |
|--|---------------------------|
| Abtastkopf mechanisch / Mechanic scanning head | 5215.2396                 |

## Ersatzteile Midi-Abroller / Spare parts Midi-Unwinder



| Pos | Bezeichnung / Description                       | Art.Nr. / Part No |
|-----|---|-------------------|
| 4   | R-Scheibe 250 verstellbar / Disk 250 adjustable | 5215.2152         |
| 4   | R-Scheibe 350 verstellbar / Disk 350 adjustable | 5215.2160         |
| 6   | Pendelscheibe / Dancer disk                     | 5215.0808         |
| 7   | Pendelflansch / Dancer flange                   | 5215.0792         |
| 8   | Lager / Bearing                                 | 5215.0816         |
| 9   | Schieber / Translating part                     | 5215.0824         |
| 10  | Anschlag / Stopper                              | 5215.0832         |
| 11  | Druckfeder / Spring                             | 5829.0406         |

## Ersatzteile Midi-Abroller / Spare parts Midi-Unwinder

| <b>Pos</b> | <b>Bezeichnung / Description</b>                       | <b>Art.Nr. / Part No</b> |
|------------|--|--------------------------|
| 12         | Pendelachse / Dancer axle                              | 5215.0857                |
| 13         | Bremsachse 95 / Brake axle 95                          | 5215.0865                |
| 13         | Bremsachse 160 / Brake axle 160                        | 5215.0873                |
| 14         | Pendel 250 / Dancer 250                                | 5215.0881                |
| 14         | Pendel 350 / Dancer 350                                | 5215.0987                |
| 15         | Pendelrollenachse 95 / Dancer axle 95                  | 5216.2594                |
| 15         | Pendelrollenachse 160 / Dancer axle 160                | 5216.2601                |
| 16         | Pendelrohr 95 / Dancer tube 95                         | 5216.2083                |
| 16         | Pendelrohr 160 / Dancer tube 160                       | 5216.2197                |
| 17         | Pendelrolle 95 / Dancer roll 95                        | 5215.0938                |
| 17         | Pendelrolle 160 / Dancer roll 160                      | 5215.0946                |
| 20         | Rollenlager NT 684 ZZA / Ball bearing NT 684 ZZA       | 5842.1675                |
| 21         | Federteller / Spring plate                             | 5215.8899                |
| 22         | Einstellrad / Knurling knob                            | 5208.3092                |
| 23         | Federfixierflansch / Spring holder                     | 5215.0970                |
| 24         | Sinterlager 18/12/8x10/2 / Sinter bearing 18/12/8x10/2 | 5843.1151                |
| 26         | R-Scheibe 250 fest / Disk 250 fix                      | 5215.2233                |
| 26         | R-Scheibe 350 fest / Disk 350 fix                      | 5215.2241                |
| 27         | Torsionsfeder rechts / Torsion spring right            | 5829.1402                |
| 27         | Torsionsfeder links / Torsion spring left              | 5829.1410                |
| 101        | Unterlagsscheibe M5 / Washer M5                        | NS29.0504Z               |
| 103        | Sechskantmutter M5 / Hexagon nut M5                    | NS24.1003Z               |
| 104        | Gewindestift M4x12 / Set screw M4x12                   | NS16.4003B               |
| 105        | Kerbschraube M2,9x6,5 / Screw M2,9x6,5                 | NS01.3002Z               |
| 106        | Sicherungsscheibe D=7 / Locking disk D=7               | NS28.4003B               |
| 107        | Senkschraube M4x12 / Countersunk screw M4x12           | NS04.5003B               |
| 108        | Unterlagsscheibe M4 / Washer M4                        | NS29.0503Z               |
| 109        | Spannring BENZING D=6 / Circlip BENZING D=6            | NS28.7001B               |
| 110        | Zylinderschraube M4x14 / Cheese head screw M4x14       | NS00.7011Z               |
| 111        | Senkschraube M5x16 / Countersunk screw M5x16           | NS04.5007B               |
| 112        | Steckkerbstift 2x6 / Pin 2x6                           | NS32.4007B               |
| 113        | Unterlagsscheibe M6 / Washer M6                        | NS29.0505Z               |