

New Traction roller for Collamat C9100 series

The features :

New Clamping flange



Improved bearing



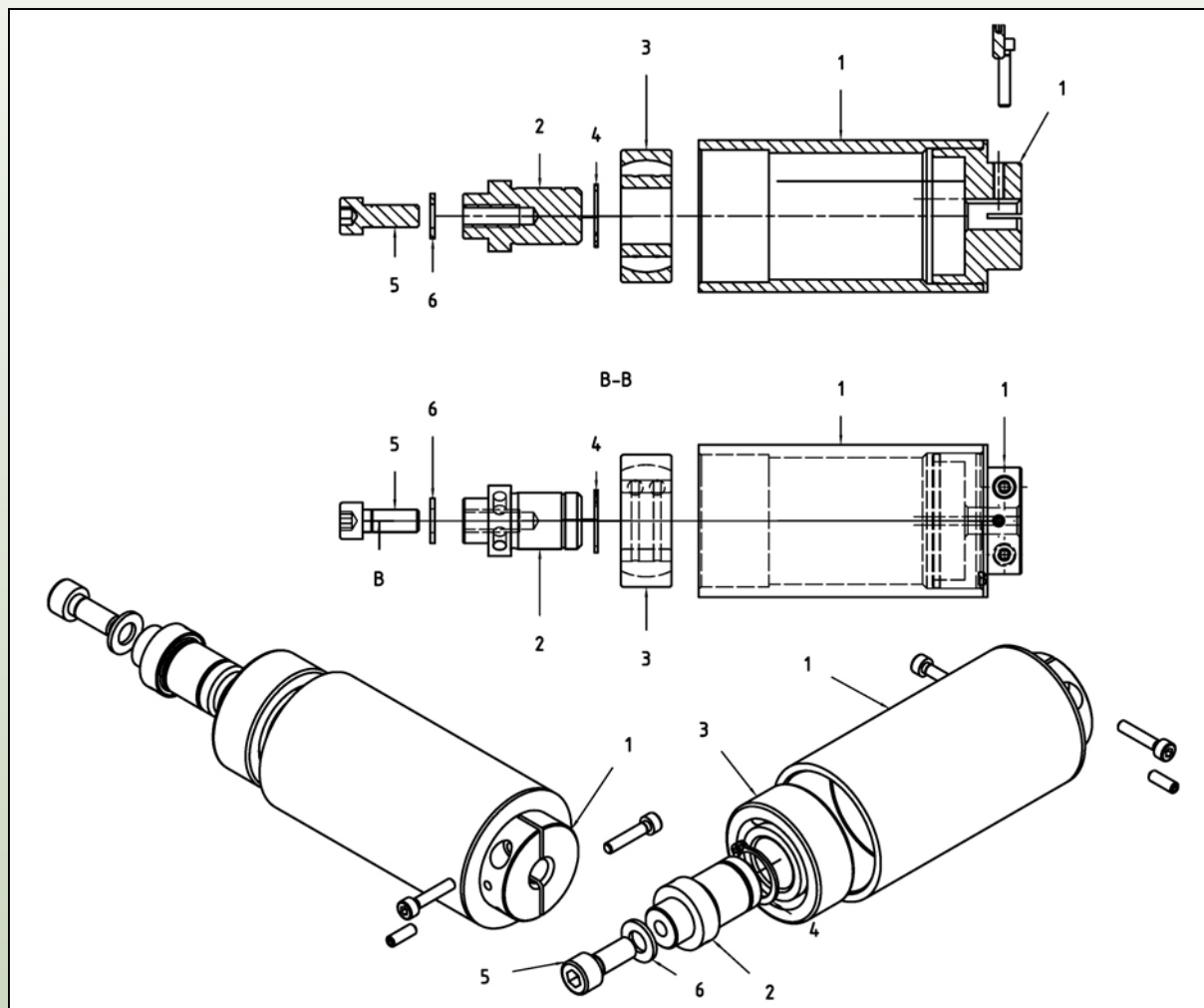
- Flange made of alloy, gives reduced weight resulting in reduced rotating mass
- New designed clamping flange, gives better centring of the traction roller.
- New direct mechanical connection of the traction roller to the motor shaft (rigid coupling), gives higher labelling accuracy.
- New self aligning bearing, insensitive to angular misalignments of the shaft.
- New more robust bearing, will have longer production live and higher operational reliability.

Reduced weight



New traction roller

The parts list (exploded drawing)



Pos.	Quantity	Part number	Part name
1	1	5216.6055	Traction roller C9110
1	1	5216.6066	Traction roller C9120
1	1	5216.6077	Traction roller C9130
2	1	5216.6111	Shaft for traction roller
3	1	5842.1833	Self-aligning ball bearing
4	1	NS29.5008B	Retaining ring $\varnothing 20$
5	1	NS00.8019Z	Cylinder head screw M8x20
6	1	NS29.0507Z	Disc M8

Remark: To exchange an old traction roller with a new one, it's necessary to order part 1 in reference to your machine dimension and additional all the parts pos. 2-6.



New counter pressure roller for Collamat C9100 series

The features:

New counter pressure roller



- New counter pressure roller equipped with deep groove bearings, gives a better lateral guidance
- New more robust bearing will achieve longer product live and higher operational reliability.
- The new design of the counter pressure roller avoids lateral friction by side applications

and Pressure roller



New design of shaft

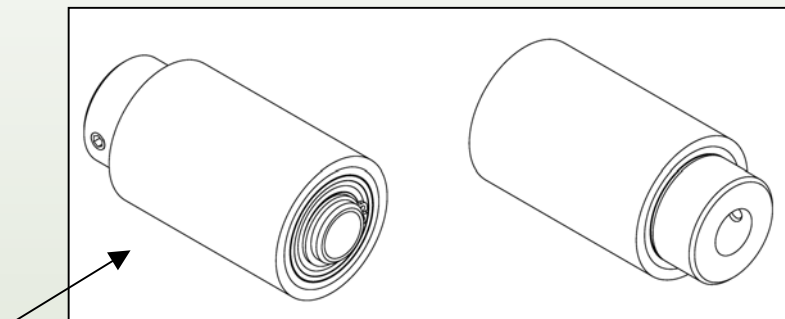


New type bearing

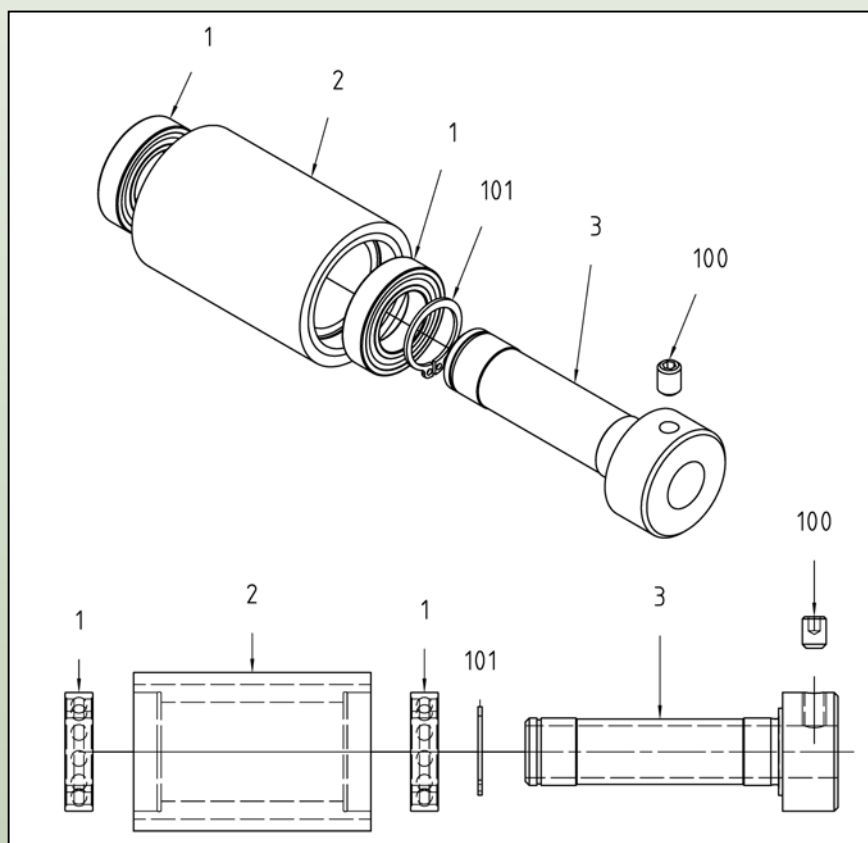


New counter pressure roller

Parts list (exploded view)



Pos 0, Counter pressure roller complete



Pos.	Quantity	Part number	Part name
1	2	5842.1822	Grooved ball bearing
2	1	5216.6022	Back pressure roller
3	1	5216.6011	Back pressure shaft
100	1	NS17.0002Z	Headless pin M6x8
101	1	NS29.5009B	Security ring $\varnothing 1=17\text{mm}$
0	1	5216.6000	Counter pressure roller complete

