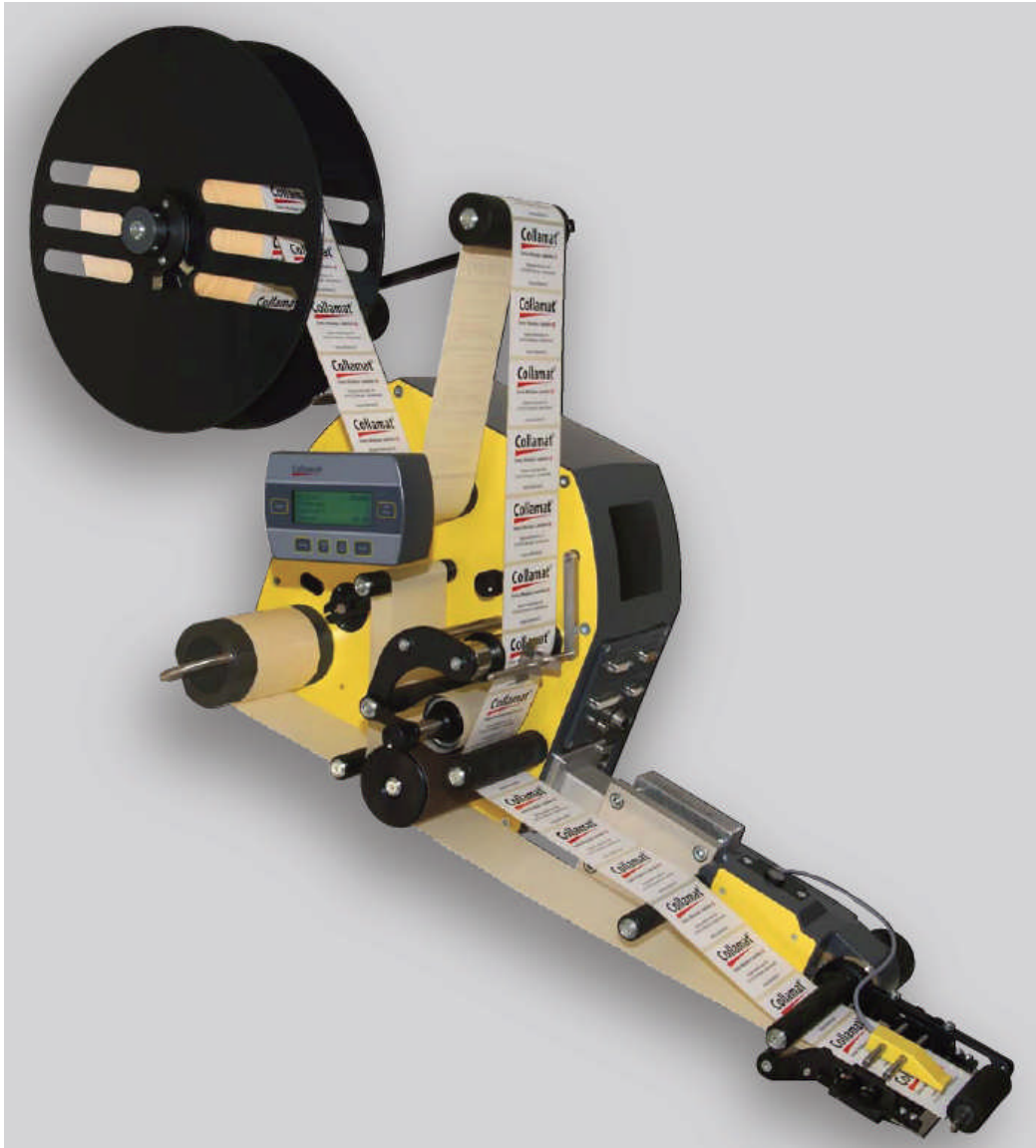


Spare Parts Catalog

Collamat NG Series



Doc. ID: SP Collamat NG EN 1-05.doc

Release: V1-05/10/2011

The English-language version of this Spare Part Catalogue is the only official original version. Any Spare Part Catalogue translated into other languages (or excerpts of it) are only references to this original version.

Read the Operator Manual and the Technical Handbook before performing any work on the machine!

Spare Part Catalog

Original Edition

SD: 05.10.2011 14:52

© Collamat AG
Etikettiersysteme
Bodenmattstrasse 34
4153 Reinach BL
Switzerland

Tel.: +41 (0) 61 756 28 - 28
Fax: +41 (0) 61 756 29 - 29

E-Mail: info@collamat.ch
Internet: www.collamat.ch

Created by:
Collamat AG – gb + ps

16-05-2010 V1.00 Draft for field testing devices – ps
14-02-2011 V1.01 1st.customer version – gb
04-04-2011 V1.02 Directory update – ps
16-08-2011 V1.04 Modification clutch - gb
05-10-2011 V1.05 Cable list update - ps

1	General	5
1.1	Information about the Spare Part Catalog.....	5
2	Maintenance	7
2.1	Safety.....	7
2.2	Maintenance schedule.....	9
2.3	Components.....	9
2.3.1	Front view	10
2.3.2	Rear view.....	11
2.3.3	Front view traction unit	12
3	Recommended Spare Parts	13
3	Empfohlene Ersatzteilliste	13
3	Liste des pièces recommandées	13
	Spare Parts Catalog	14
3.1	Traction unit	14
3.1.1	Housing	15
3.1.2	Front Plate.....	17
3.1.3	Operator panel	18
3.1.4	Paper brake.....	19
3.1.5	Motor / drive.....	20
3.1.6	Traction cylinder	21
3.1.7	Pinch roller.....	22
3.1.8	Dancer arm re-winder (spring and mechanics)	23
	Dancer arm re-winder (Arm with roller)	24
3.1.9	Re-winder (passive)	25
	Re-winder shaft (passive)	26
3.2	Un-winder unit.....	27
3.2.1	Un-winder components	27
3.2.2	Main rail	28
3.2.3	Brake mechanism.....	29
	Reel mandrel.....	31
3.2.4	Dancer	32
3.2.5	Rear disc (fixed)	33
3.2.6	Front disc (adjustable).....	34
3.3	Applicator	35
	Components.....	35
3.3.1	Body	36
3.3.2	Flap.....	38
	Flap (label detection)	39
3.3.3	Pressure roller	40

General

3.3.4	Module rail	41
3.4	Options	42
3.4.1	Label low detection	42
3.4.2	Internal mounting of applicator board	43
4	Index	44
5	Register of documents in the Appendix	45

1 General

1.1 Information about the Spare Part Catalog

This Spare Part Catalogue is a technically-detailed addendum to the operating instructions and the technical handbook for the Collamat NG.

All safety, warning and caution notices in the Collamat NG operating instructions are also valid in this handbook with no restrictions.

The Collamat NG Technical Handbook (abbreviated as TH in this document) is considered the technical element of the operating instructions. The TH should help you to use the Collamat NG to its fullest. The description of the individual mechanical and electrical components also helps for rapid troubleshooting and problem solving in case of faults. Any defective electronics modules (printed circuit boards) are to be replaced as entire units and the defective modules are to be sent to the HM Collamat AG company or their representatives for repair or exchange. This is the only way to ensure that the high level of quality of your Collamat NG is maintained after repairs.

The special features of the Collamat NG include the following:

- low-wear mechanics
- minimal abrasive wear with the rewinder version with friction clutch
- robust, reliable and precise
- simple handling with a modular structure
- easy-to-adjust label brake
- multiple options for installation (clamping pieces) in upright or horizontal position
- user-friendly thanks to modern, menu-based programming
- quickly configured to perform other labeling tasks maximum labeling power
- unwinder unit with a brake mechanism for 300 mm or 400 mm diameter label rolls
- highly modern SMD technology
- for 230 VAC / 115 VAC network current (adjustable on the outside of the machine)
- 2-phase stepper motor with micro step resolution for the greatest precision
- various adapters for up to 3 cylinders (standard and customer-specific)

- optional electrical rewinder
(for dispensing speeds > 50 m/min or for wide labels)
- DC motor with 4Q-MC and compensator control)
- optional external connection box / connection module
(connection box)
- optional sensors for monitoring label
supply / rewinder volumes,
- optional warning lamps (ready - error - maintenance)
- optional Ethernet connection (standard / customer-specific)
- customer-specific interface

2 Maintenance

2.1 Safety

Basics



WARNING!

Danger of injury due to improper maintenance work!

Incorrect maintenance can cause serious injury or damage.

Therefore:

- Maintenance work may only be performed by qualified and owner-authorized and trained personnel.
- Inform operating personnel prior to starting maintenance and service work.
- Before starting work, ensure that adequate conditions for assembly are present.
- Ensure that the assembly location is orderly and clean! Loose or scattered components and tools can cause accidents.
- If components are replaced:
- Pay attention to correct fitting of replacement parts.
- Reinstall all mounting elements appropriately.
- Observe the correct screw-tightening torques.
- Before turning the system back on, ensure that all covers and protective equipment are installed correctly and function properly.
- After completing maintenance work, check safety equipment for functionality.

Pneumatic system



WARNING!

Danger of injury due to compressed air!

The compressed air in the pneumatic system can escape without warning and set pneumatically driven components in motion, causing serious injuries.

Therefore, before starting any work:

- Turn off the pneumatic system and ensure that it cannot be turned on.
- Depressurize all components which are under pressure.

Maintenance

Electrical equipment



DANGER!

Danger of death due to electrical current!

Contact with live components can cause danger of death.

Electrically driven components can start to move without warning and cause extremely serious injuries.

Therefore:

- Before beginning work, turn off electricity supply and ensure that it cannot be turned-back on.
- All work on the electrical systems, on individual electrical components and on connections may only be performed by trained electricians.

Personal protective equipment

For all maintenance work, the following must be worn:

- Industrial safety clothing
- Protective gloves
- Safety footwear
- Goggles

Securing against switching on again



DANGER!

Danger of death due to unauthorized re-activation!

During maintenance, there is a danger that the power supply will be switched on again without authorization. This causes danger of death for those in the danger area.

Therefore:

Before starting work, turn off all energy supplies and ensure that the system cannot be turned back on.

Environmental protection

- Observe the following environmental protection instructions when performing maintenance:
- At all lubrication points which are provided with lubricant manually, remove escaping, used, or surplus grease and dispose of according to the local regulations.
- Collect drained oil in suitable containers and dispose according to the local regulations.

2.2 Maintenance schedule

The following sections describe the maintenance work necessary for optimum and fault-free operation. The maintenance intervals are to be observed.

If the regular checks show increased wear of individual components or functional assemblies, the operator must shorten the maintenance intervals according to the actual wear. Changes compared with normal operation (higher power consumption, temperatures, vibrations, noise etc, or the triggering of monitoring devices) are signs that system function is impaired. To avoid faults which could cause direct or indirect injuries or damage, the maintenance personnel must be informed immediately.

In case of questions regarding maintenance work and intervals: Contact the manufacturer (Service address → Page 2).

In addition to these operating instructions, the instructions in the Appendices for the installed components also apply. The information which they contain – in particular the safety information – must be observed!

Interval	Maintenance work	To be performed by
Daily	Clean dirt, dust and adhesive deposits from printer and applicator (see Chap. 8.3)	Operator
	Check ease of movement of moving parts	
	Visual inspection of condition and damage to the machine	
Monthly	Clean dirt from entire machine	Operator
	Check condition and correct function of electric cables, switches and safety devices	Qualified electrician
Every 6 months	<p>Check all fixing screws for tightness and tighten if necessary. Observe screw tightening torques!</p> <p>Observe belt tightness and adjust if necessary.</p> <p>Replace parts subject to regular wear and tear according to spare part catalog – recommended parts.</p>	Specialist

2.3 Components

Description

The individual components with their setup options and maintenance are described here. This section begins with a general overview of the dispenser.

The components are mounted on a module rail. Figure 2.1 shows these components and their names mounted on the module rail:

Maintenance

2.3.1 Front view

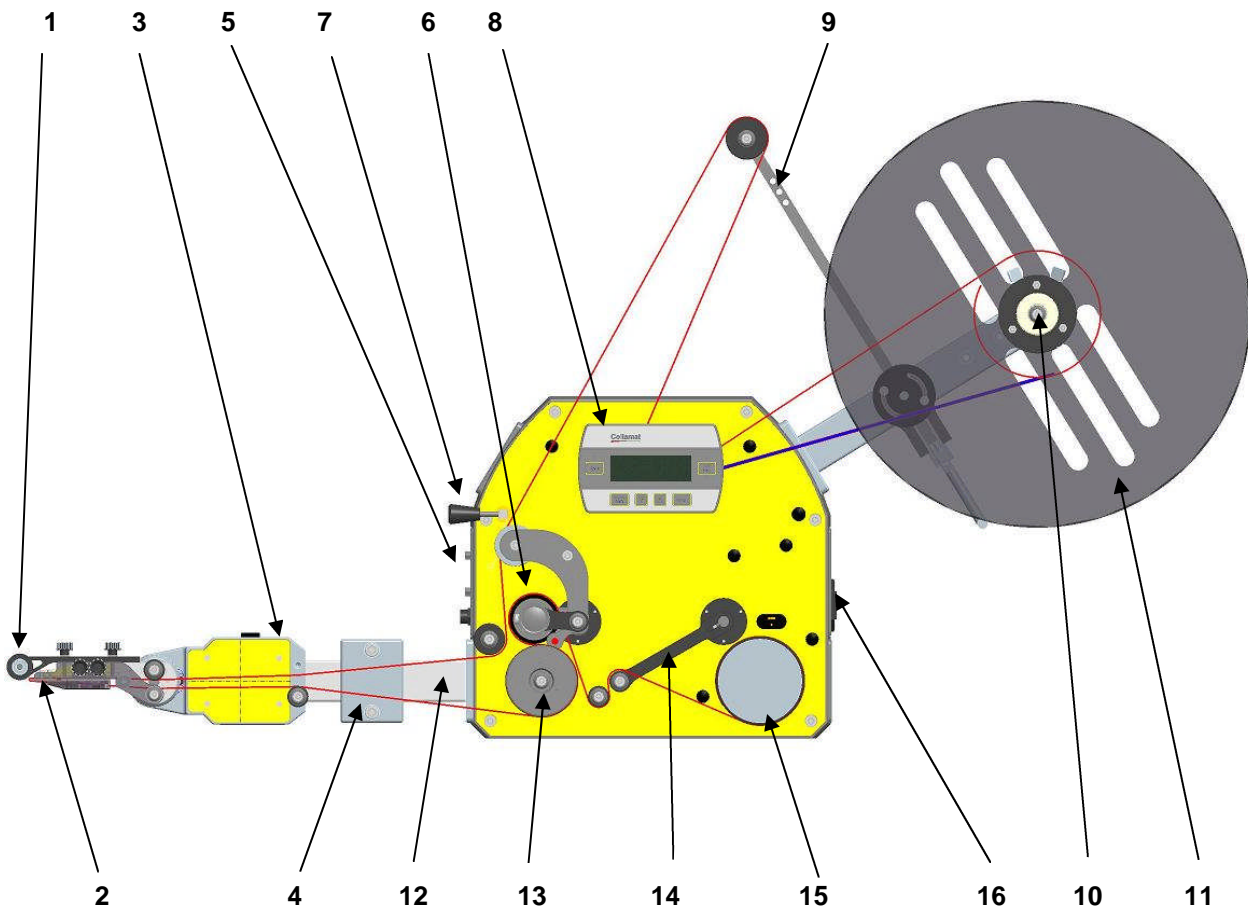


Fig. 2-1

- | | |
|------------------------------------------|-----------------------------------|
| 1 Pressure roller of applicator | 9 Dancer arm |
| 2 Dispensing plate | 10 Un-winder unit |
| 3 Housing of applicator | 11 Un-winder disc (adjustable) |
| 4 Machine holder for 40 x 40 module rail | 12 Module rail 40 x 40 mm |
| 5 Side connection plate, "Signals" | 13 Traction cylinder |
| 6 Pinch roller | 14 Re-winder dancer arm |
| 7 Paper brake opener | 15 Re-winder mandrel |
| 8 Operator Panel (keyboard and LCD) | 16 Side connection plate, "Power" |

2.3.2 Rear view

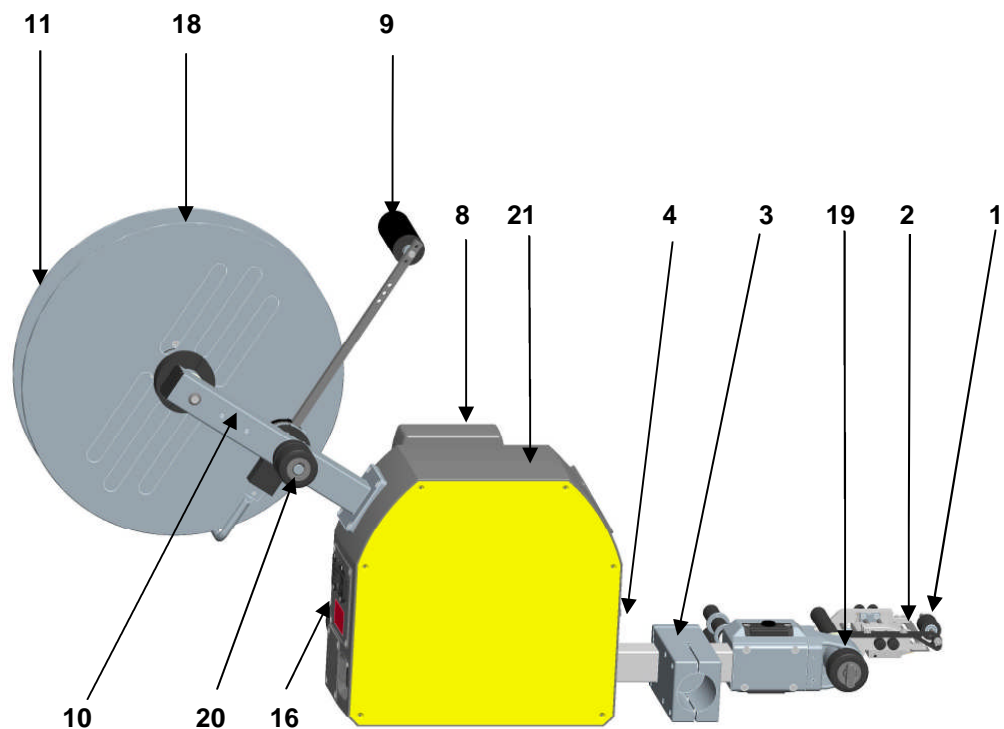


Fig. 2-2

- | | | | |
|----|-----------------------------------|----|-----------------------------------------------------|
| 1 | Pressure roller of applicator | 11 | Un-winder disc (adjustable) |
| 2 | Dispensing plate | 16 | Side connection plate, "Power" |
| 3 | Machine holder to 50 mm tube | 18 | Un-winder disc (fixed) |
| 4 | Side connection plate, "Signals" | 19 | Applicator flap angle and spring tension adjustment |
| 8 | Operator panel (keyboard and LCD) | 20 | Un-winder dancer arm spring tension adjustment |
| 9 | Dancer arm | 21 | Traction unit housing |
| 10 | Un-winder unit | | |

2.3.3 Front view traction unit

Traction unit in detail

Drive

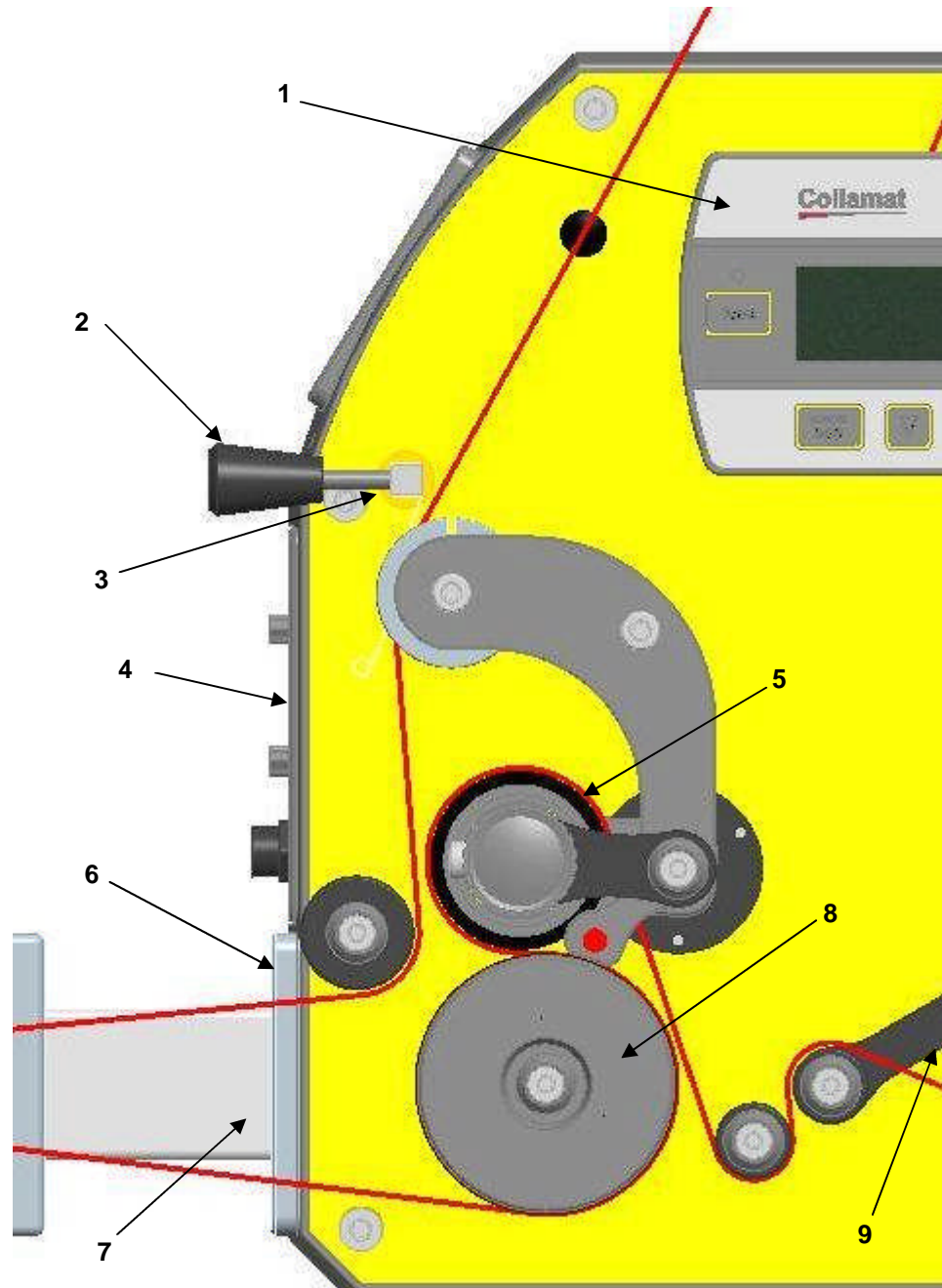


Fig. 2-3

- | | | | |
|---|----------------------------------|---|----------------------|
| 1 | Operator panel (keyboard + LCD) | 6 | Module rail flange |
| 2 | Paper brake opener | 7 | Module rail |
| 3 | Paper brake | 8 | Traction cylinder |
| 4 | Side connection plate, "Signals" | 9 | Re-winder dancer arm |
| 5 | Pinch roller | | |

3 Recommended Spare Parts

3 Empfohlene Ersatzteilliste

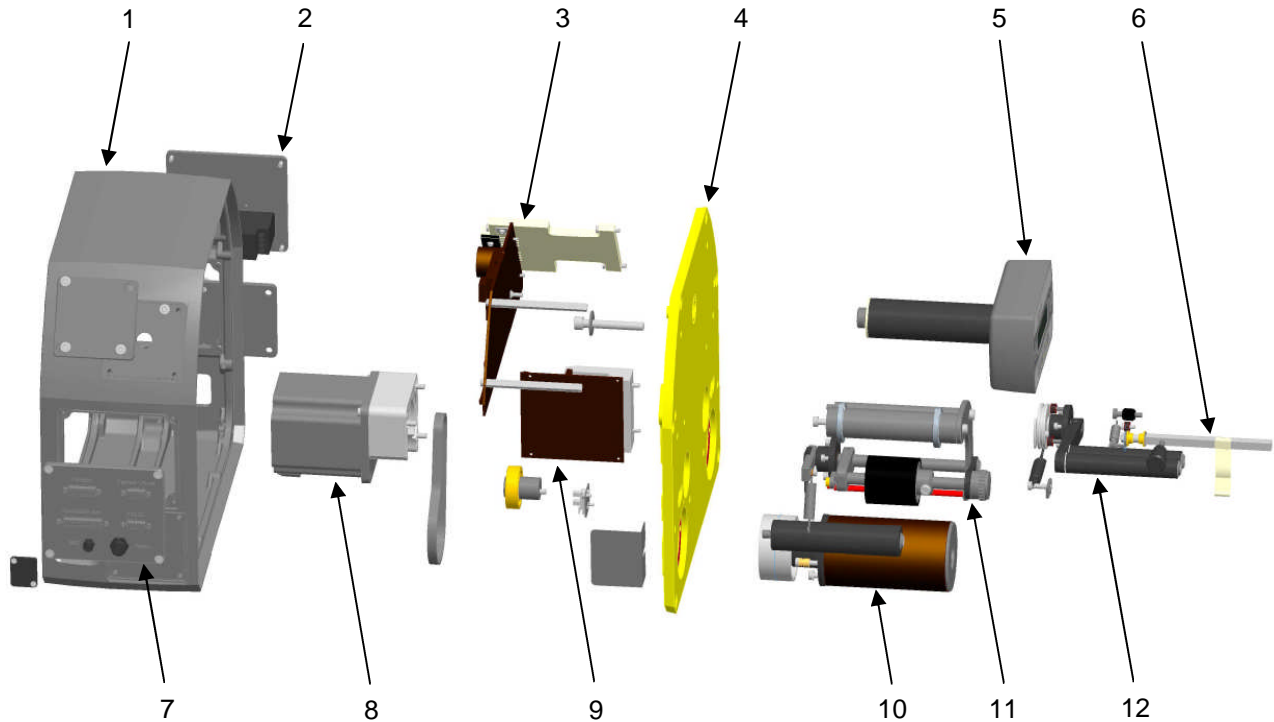
3 Liste des pièces recommandées

Part Number	Designation	Chapter
	Traction Unit / Vorzugwerk / Unité de traction	
5218.0015	Traction cylinder / Vorzugwalze / Cylindre de traction	3.1.6
5218.0235	Toothed belt motor / Zahnriemen Motor / Courroie crantée moteur	3.1.5
5218.0375	Toothed belt passive re-winder / Zahnriemen passiver Aufwickler / Courroie crantée enrouleur passif	3.1.9
5218.0326	Cork clutch disc / Kork Kupplungsscheibe / Disque d'embrayage en liège	3.1.9
5215.0240	Pinch roller / Gegendruckrolle / Rouleau de contre-pression	3.1.7
5842.1650	Ball bearing for pinch roller / Kugellager zu Gegendruckrolle / Roulement à billes pour rouleau de contre-pression	3.1.7
5218.0266	Main board / Haupt-Platine / Circuit (carte électronique) principale	3.1.2
5218.0379	Operator panel board without display / Bedienteil-Platine ohne Anzeige / Circuit interface utilisateur sans afficheur	3.1.3
5218.0378	Display / Anzeige / Afficheur	3.1.3
	Applicator / Applikator / Applicateur	
5218.233-00	Dispensing plate / Spendeplatte / Plaque de décollement	3.3.2
5208.3246	Pressure roller of applicator / Andruckrolle Applikator / Roulette de pression applicateur	3.3.3
5829.2244	Torsion spring right / Feder rechts / Ressort droite	3.3.1
5829.2255	Torsion spring right / Feder rechts / Ressort droite	3.3.1
5218.0405	Applicator board / Applikator-Platine / Circuit électronique applicateur	3.3.1
5218.0206	LSC - Emitter board / Sender Platine / Circuit émetteur	3.3.2
5218.0110	LSC - Receiver head / Empfänger Kopf / Tête récepteur	3.3.2
	Un-winder / Abwickler / Dérouleur	
5829.2233	Torsion spring right / Feder rechts / Ressort droite	3.2.3
5829.2222	Torsion spring right / Feder rechts / Ressort droite	3.2.3

Spare Parts Catalog

3.1 Traction unit

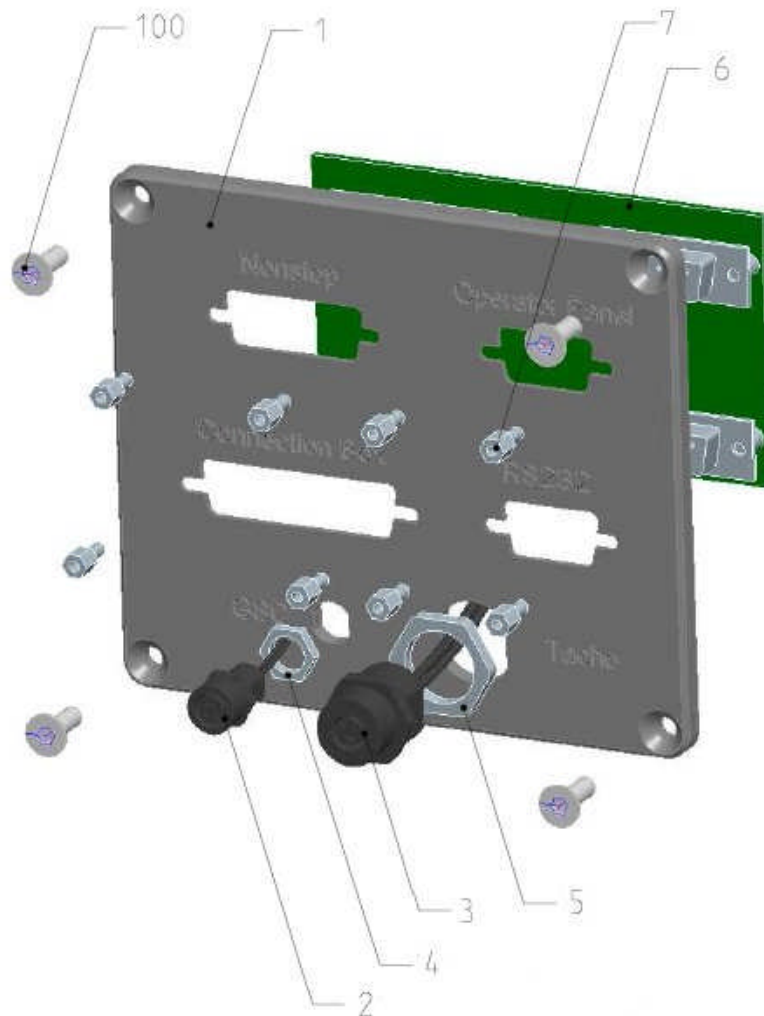
Components of the traction unit, without re-winder



Pos	Designation	Chapter
1	Housing	3.1.1
2	Side connection plate "Power"	3.1.1
3	Main board	3.1.2
4	Front plate	3.1.2
5	Operator panel	3.1.3
6	Paper brake	3.1.4
7	Side connection plate "Signals"	3.1.1
8	Motor	3.1.5
9	Motor driver	3.1.5
10	Traction cylinder	3.1.6
11	Pinch roller	3.1.7
12	Re-winder dancer arm	3.1.8
	Re-winder	3.1.9

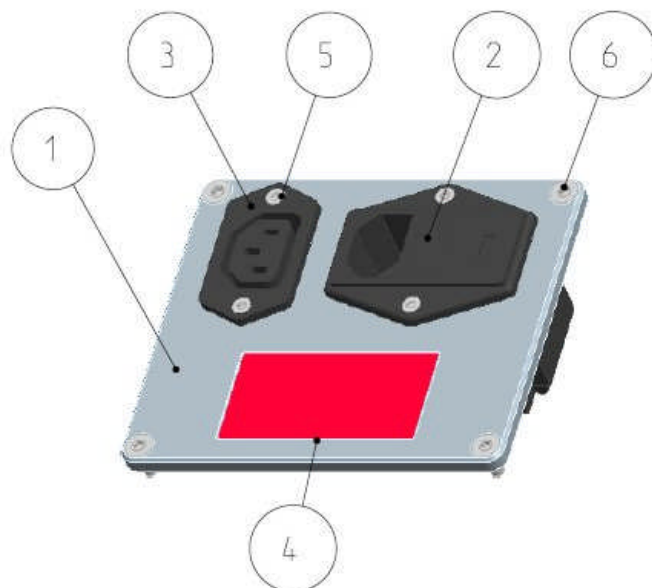
3.1.1 Housing

Side Connection Plate "Signals"



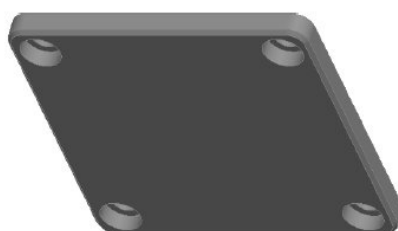
Pos	Part Number	Designation
2	5218.0424	M8 GSC Cable (incl. Screw nut)
3	5218.0440	M12 Tacho cable (incl. Screw nut)
6	5218.0401	Connector board
7	7401.6044	Fitting Nuts

Side Connection Plate "POWER"



Pos	Part Number	Designation
2	7401.5955	AC-Input Module
3	74015966	AC-Output Module

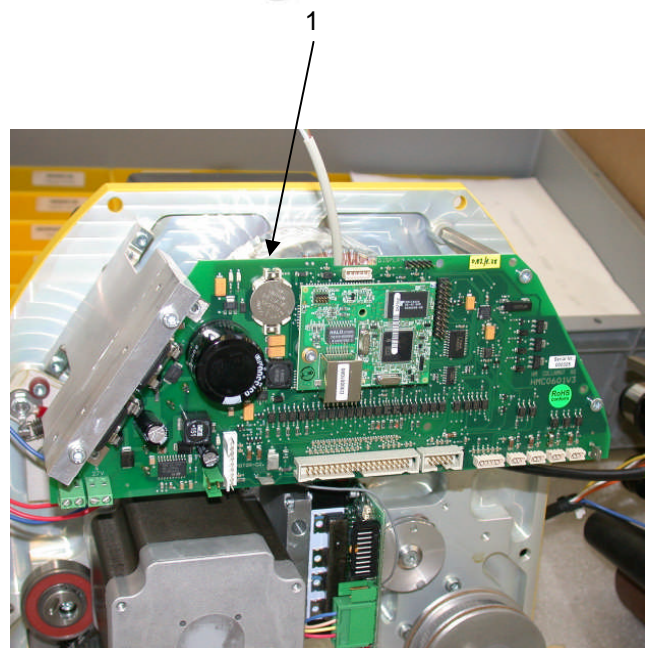
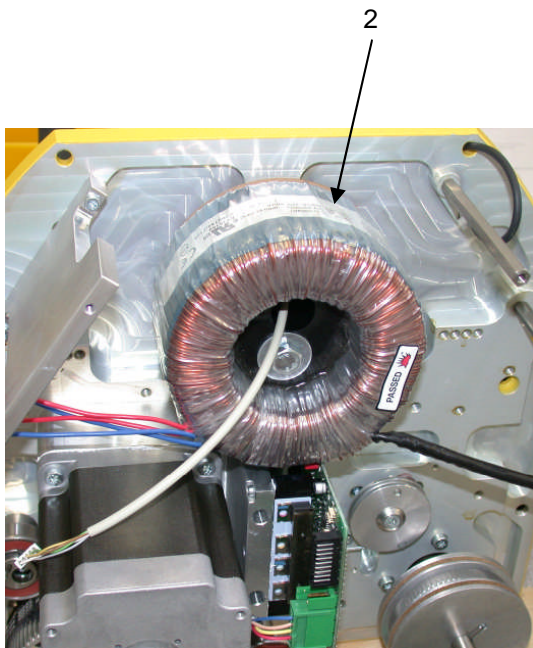
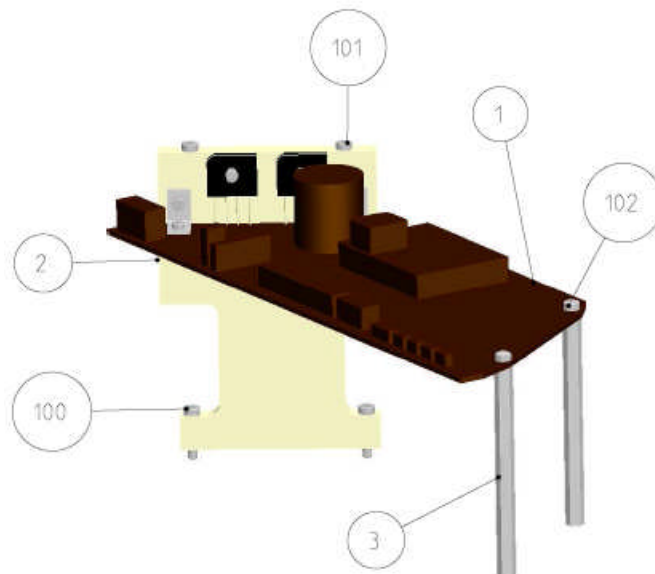
Side Cover



Pos	Part Number	Designation
1	5218.0321	Side cover

3.1.2 Front Plate

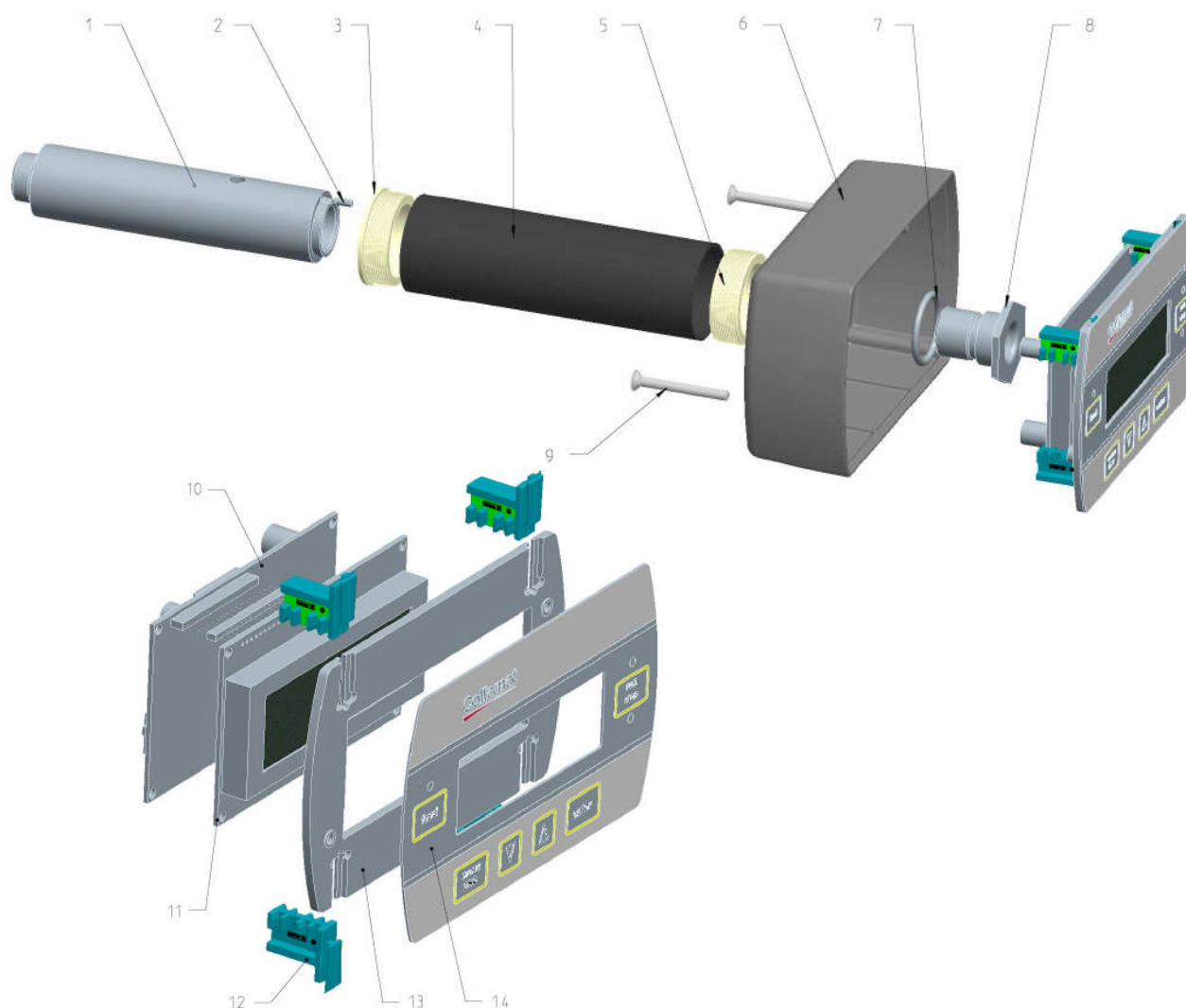
Main board



Pos	Part Number	Designation
1	5218.0266	Main board
2	7408.0466	Transformer 340VA (NG50 with passive re-winder)
2	7408.0477	Transformer 460VA (NG100 with active re-winder)

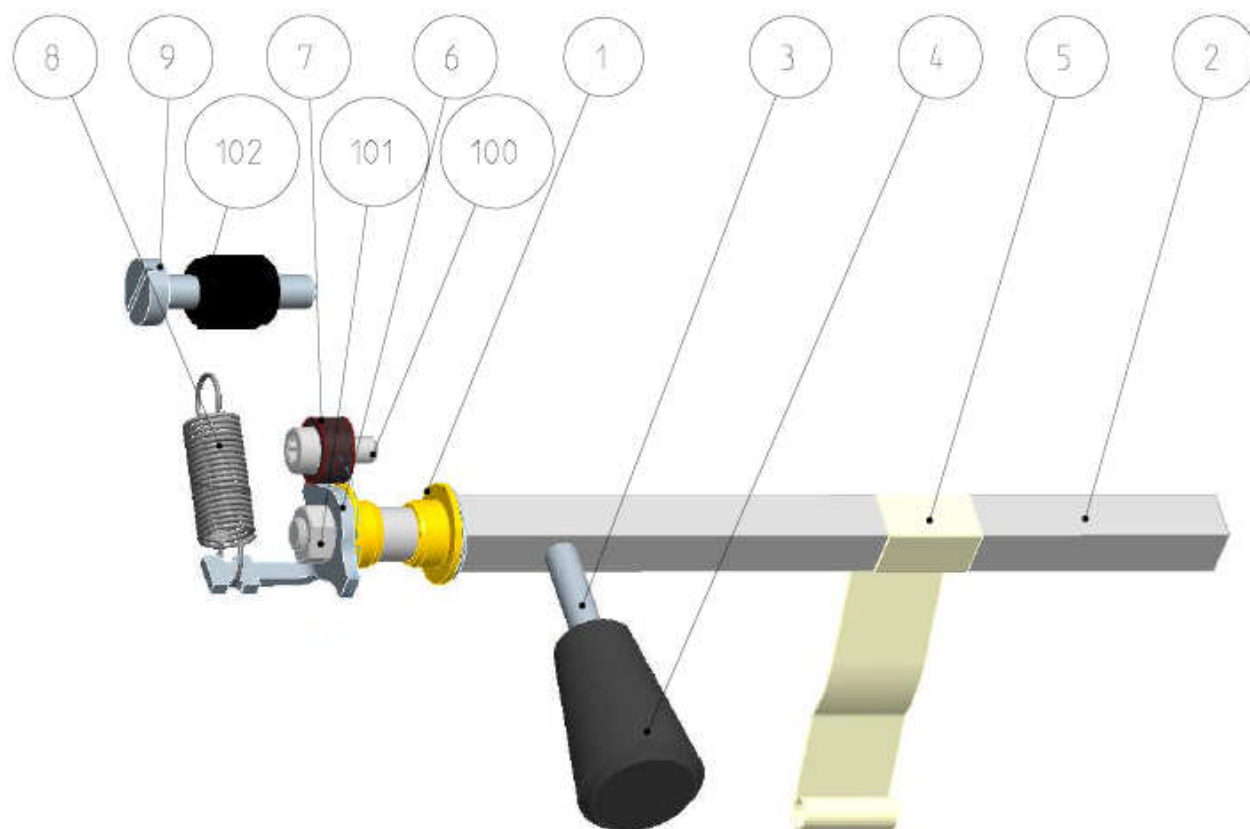
Spare Parts Catalog

3.1.3 Operator panel



Pos	Part Number	Designation
3	5218.0381	Bearing
4	5218.0382-00	40mm deviation roller
5	5218.0385	Bearing
7	7106.0009	"O"-Ring
10	5218.0379	Operator panel board
11	5218.0378	LCD display
12	5218.0248	Board holder
13	5218.0376	Fitting plate
14	5218.0377	Keypad

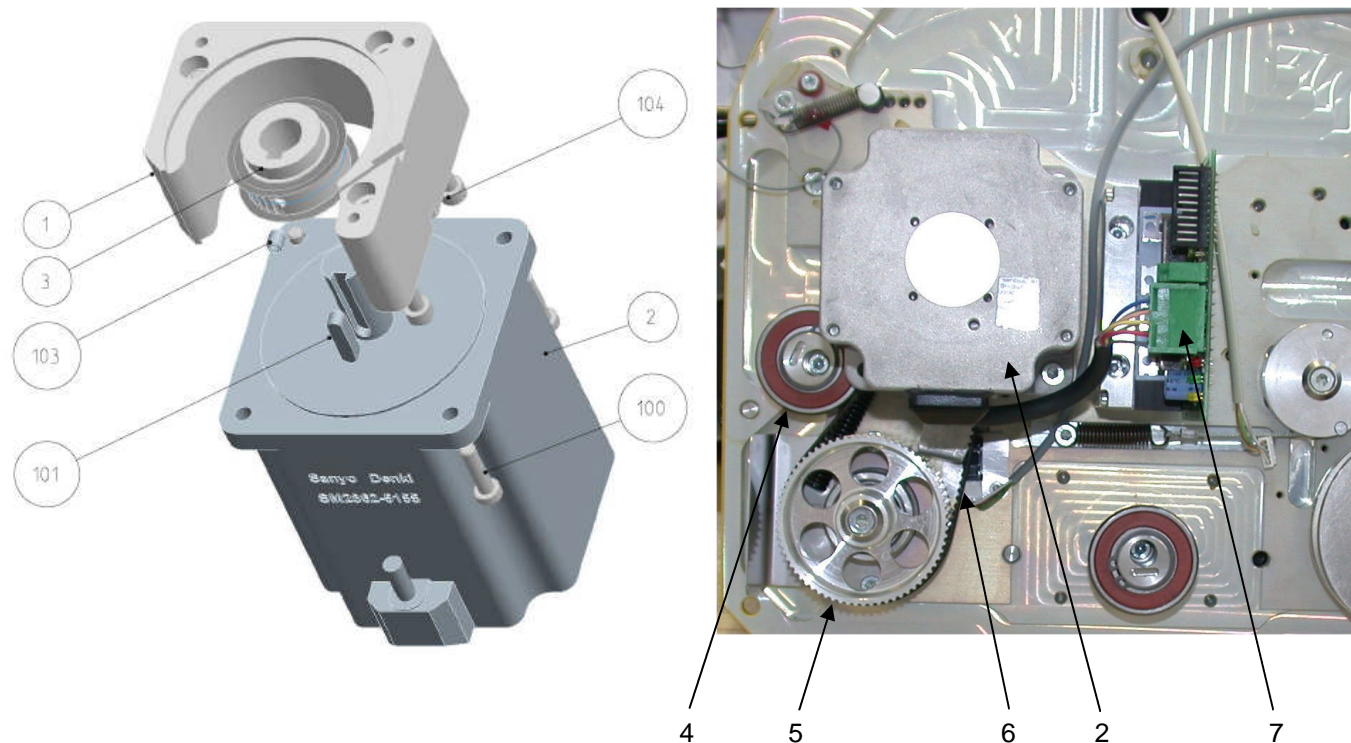
3.1.4 Paper brake



Pos	Part Number	Designation
1	5843.1699	Bearing Ø15/10/8x5.5+1
2	5218.0398-00	Brake shaft
3	5215.0492	Command lever
4	5850.0082	Command knob
5	5215.0508	Brake plate
7	5218.0336	Rubber limiter
8	5829.2311	Tension spring
9	NK000.078U	Plastic screw M5 x 25
102	NK000.079U	Plastic nut M5 x 12

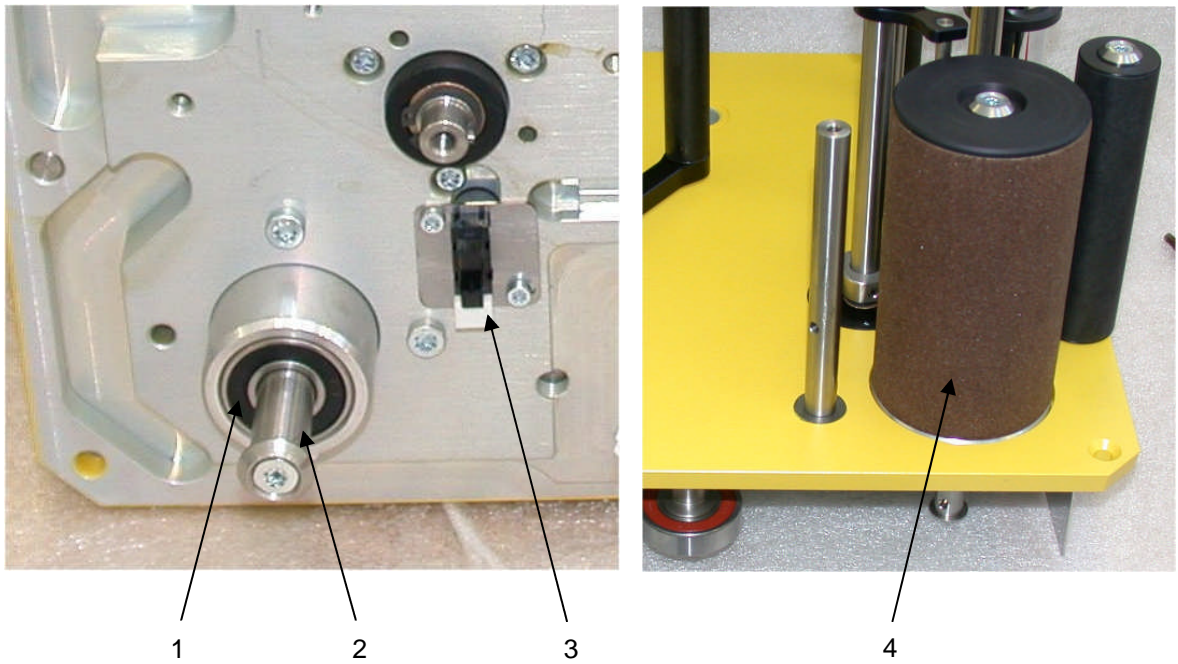
Spare Parts Catalog

3.1.5 Motor / drive



Pos	Part Number	Designation
2	7407.1800	Stepper motor
3	5218.0318	Motor toothed pulley
4	5842.1164	Ball bearing 20/42x12
5	5218.0338	Toothed wheel
6	5218.0235	Toothed belt
7	5218.0302	Motor driver
101	NS300.013U	Fitting key 5x5x20
103	NS170.005Z	Screw M5x6

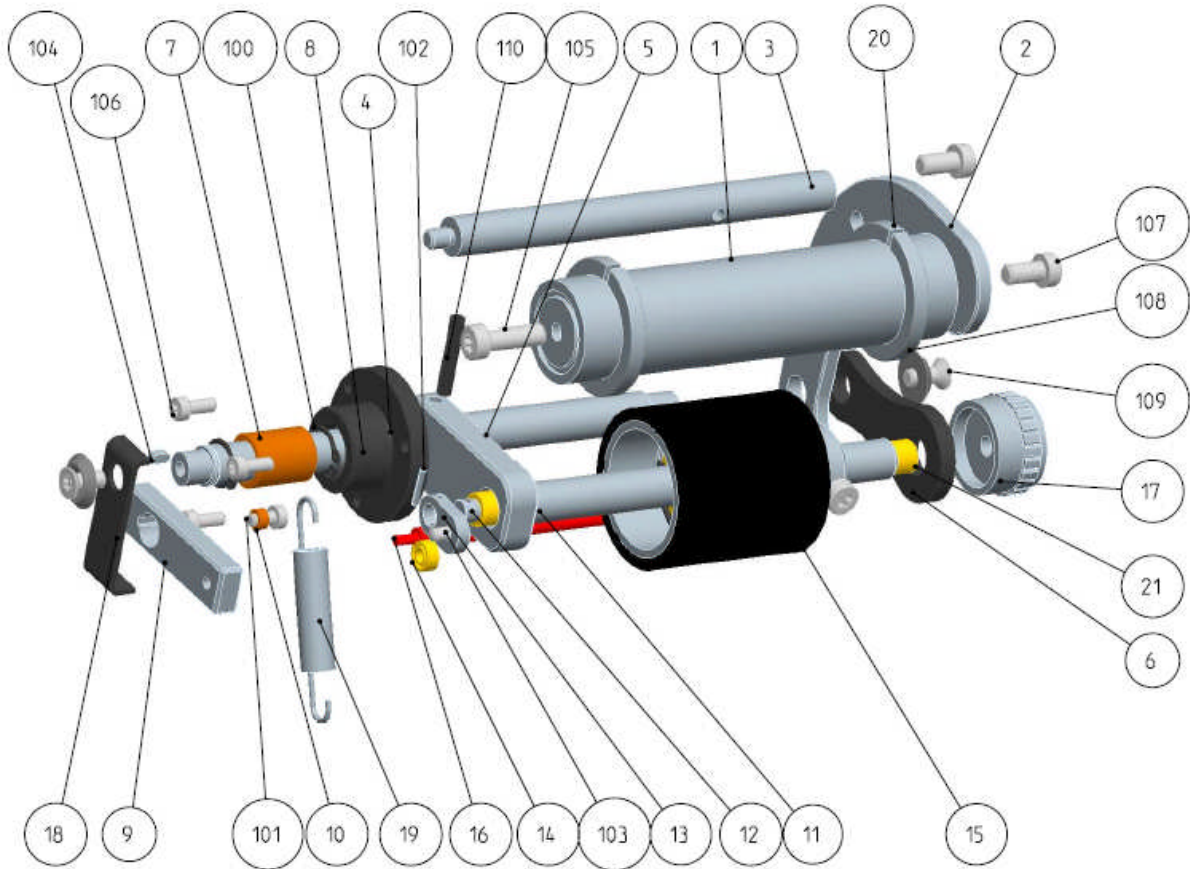
3.1.6 Traction cylinder



Pos	Part Number	Designation
1	5842.1131	Ball bearing
2	5218.0340-00	Traction cylinder shaft
3	5218.0270	Tunit sensor (head open)
4	5218.0015	Traction cylinder

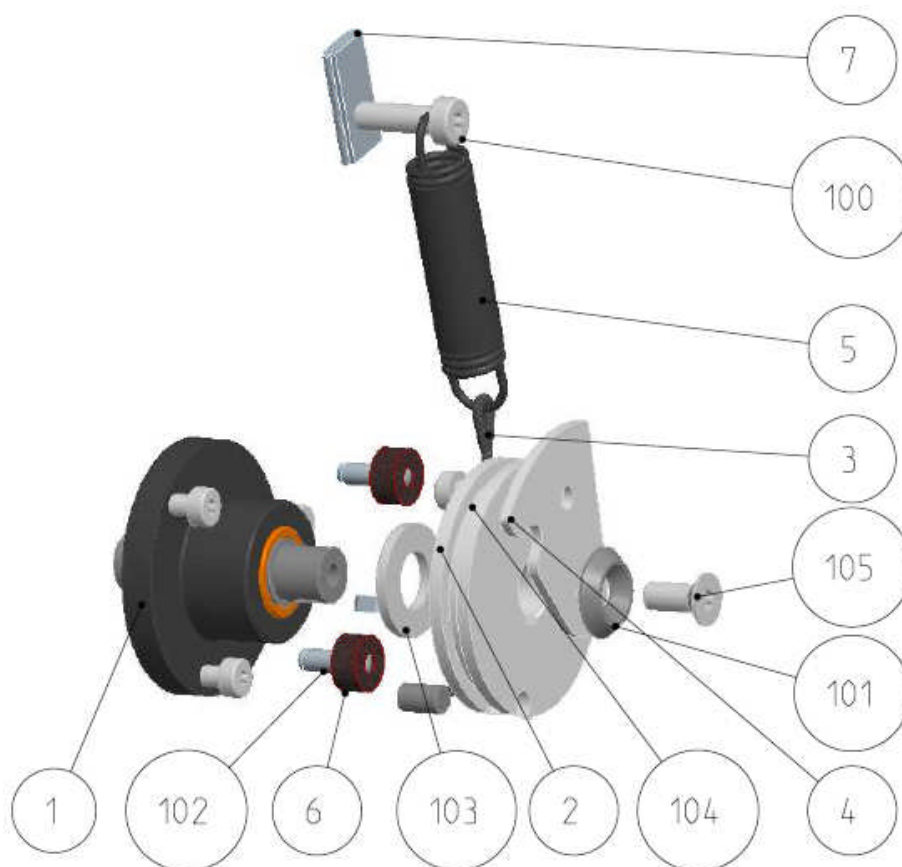
Spare Parts Catalog

3.1.7 Pinch roller

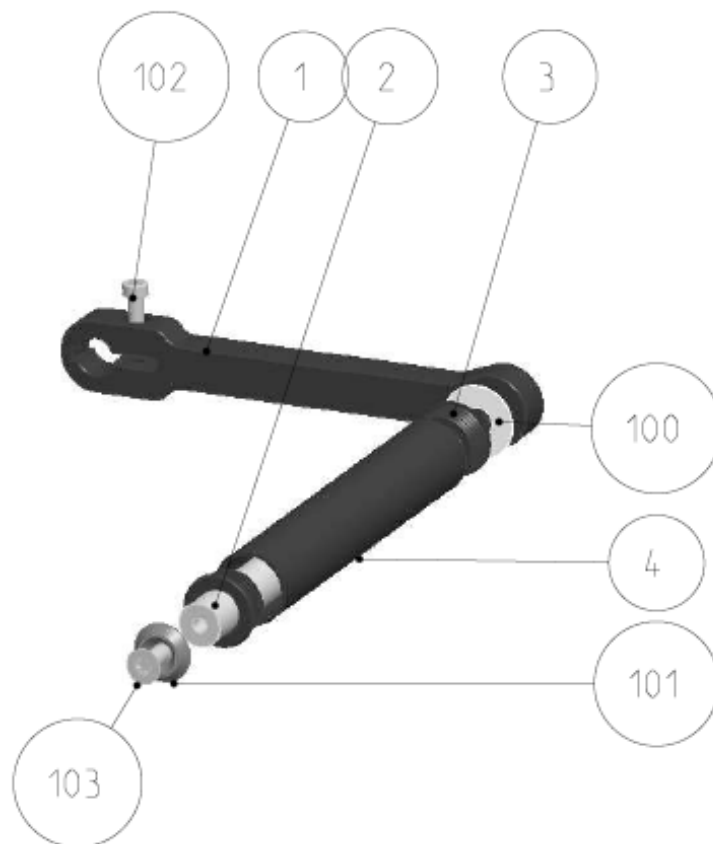


Pos	Part Number	Designation
1	5218.0282-00	Paper brake bar
12	5218.0294-00	Opener shaft
13	5218.0295	Opener excenter
14	5842.1675	Ball bearing Ø4/9x4
15	5215.0240	Pinch roller (without bearing)
15a	5842.1650	Ball bearing of pinch roller
17	5822.0554	Knurled knob
19	5829.2266	Tension spring
20	5218.0393	Label guide
103	NS322.530U	Pin Ø4x8
104	NS300.014U	Fitting key 3x3x6

3.1.8 Dancer arm re-winder (spring and mechanics)

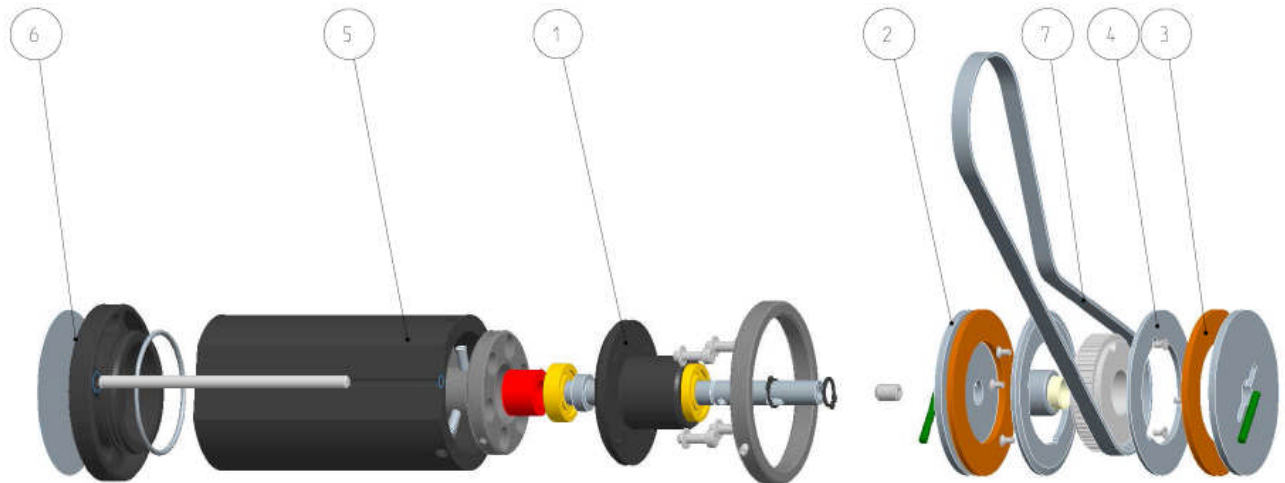


Pos	Part Number	Designation
1	5218.0291	Flange
3	5218.0334	Tension cable
5	5829.2277	Tension spring
6	5218.0336	Rubber limiter
7	5218.0506	Slot nut
102	NS322.534U	Pin Ø4x14

Dancer arm re-winder (Arm with roller)


Pos	Part Number	Designation
1	5218.0330	Dancer arm
2	5218.0332-00	Roller shaft
3	5218.0225	Bearing
4	5218.0331-00	Roller of dancer arm
101	NS292.001Z	Special washer
103	NS046.010Z	Screw M5x12

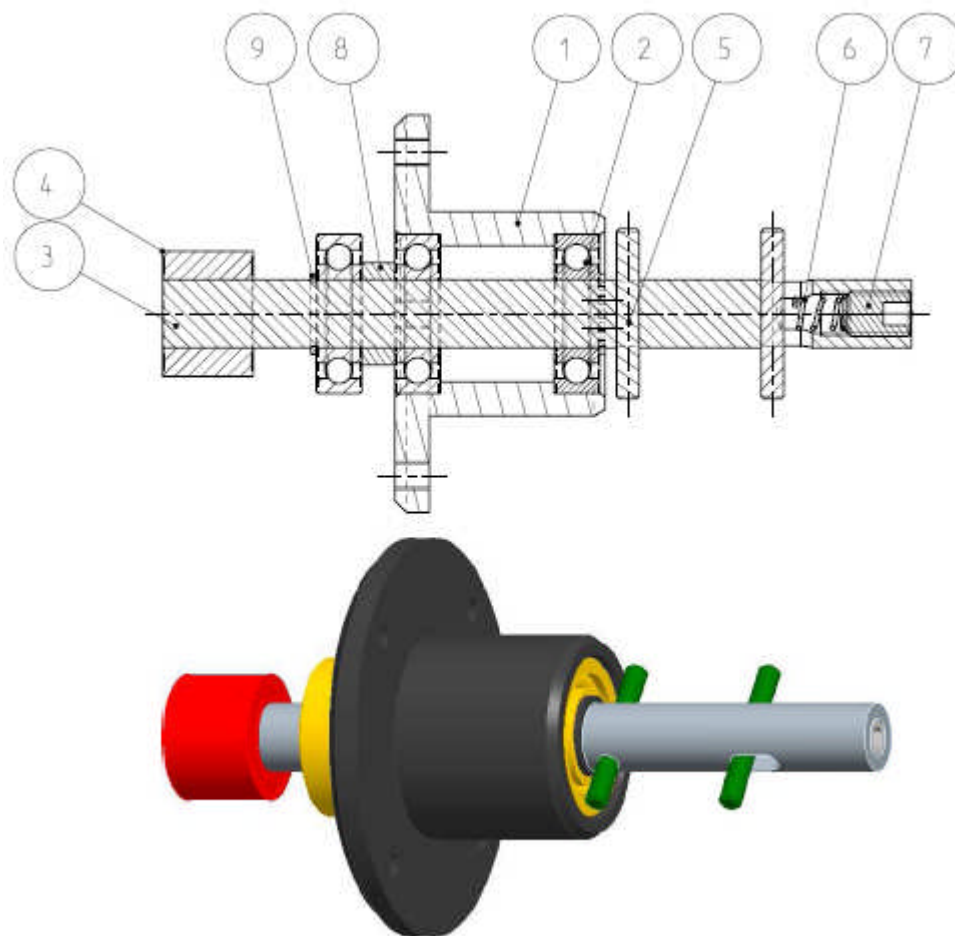
3.1.9 Re-winder (passive)



Pos	Part Number	Designation
1a	5215.0110	Flange (without bearings)
1b	5842.1131	Ball bearings (2 pcs in Flange and 1 in Mandrel)
2	5218.0327	Clutch disc
3	5218.0326	Friction disc (cork)
4	5218.0323	Pinion with side discs and needle bearing
4a	5842.1844	Needle bearing in pinion
4b	5842.1888	Inner ring inside the bearing
5a	5218.0273-00	Mandrel
5b	5218.0310	Hub in mandrel
5c	5842.1877	One way needle bearing in pinion
6a	5218.0319	Cover for label clamp
6b	5218.0320-00	Label clamp bracket
6c	7106.0012	"O"-Ring
6d	5851.1811	Threading label "Left"
6e	5851.1800	Threading label "Right"
7	5218.0375	Toothed belt

Spare Parts Catalog

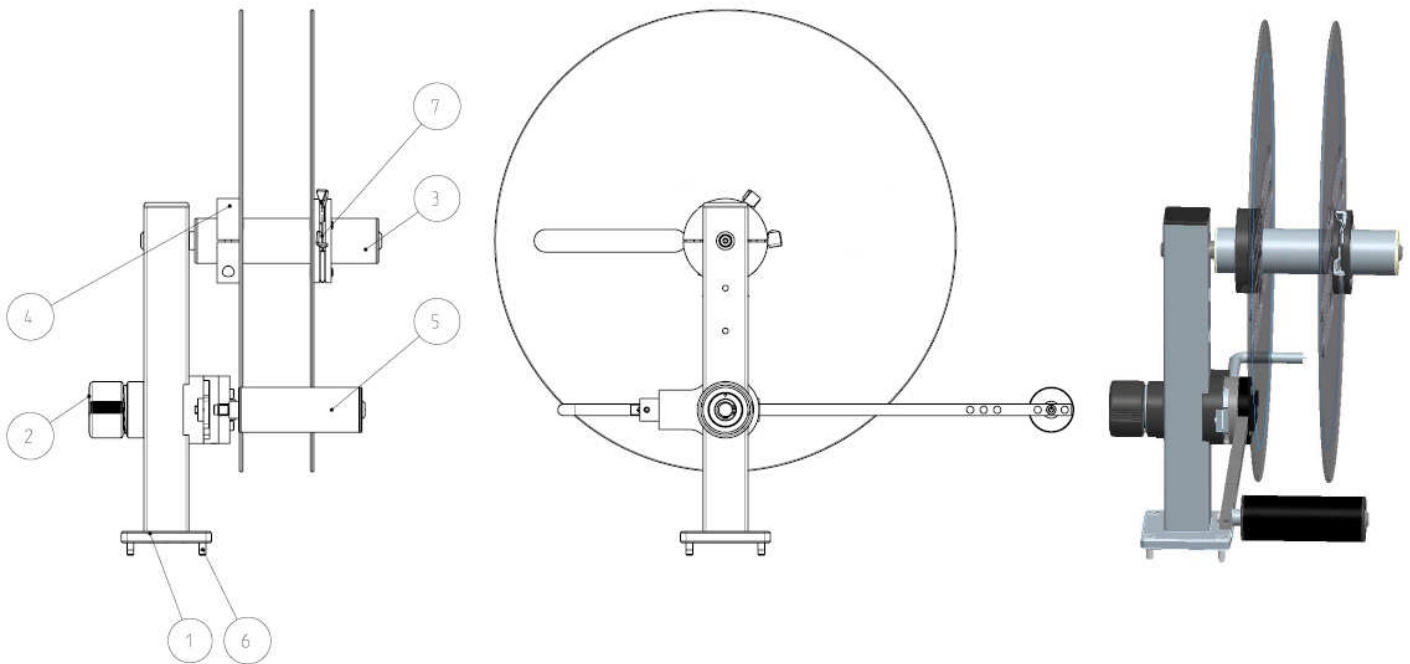
Re-winder shaft (passive)



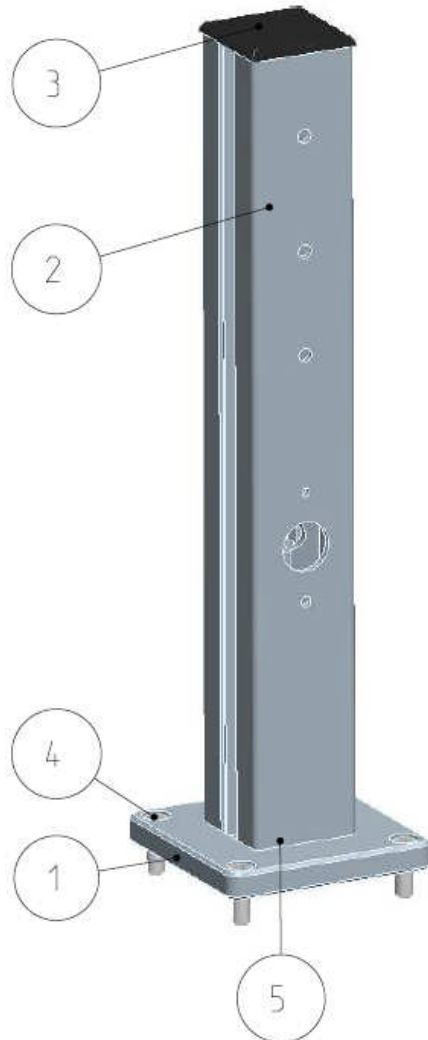
Pos	Part Number	Designation
1	5215.0110	Flange
2	5842.1131	Bearing Ø12/28x8
3	5218.0324	Re-winder shaft
4	5842.1888	Bearing inner ring
5	NS322.037B	Pin Ø4x30
6	5829.2300	Compression spring
7	NS166.027Z	Screw M8x12
8	5218.0325	Distance ring
9	NS295.007B	Circlips Ø12x1

3.2 Un-winder unit

3.2.1 Un-winder components

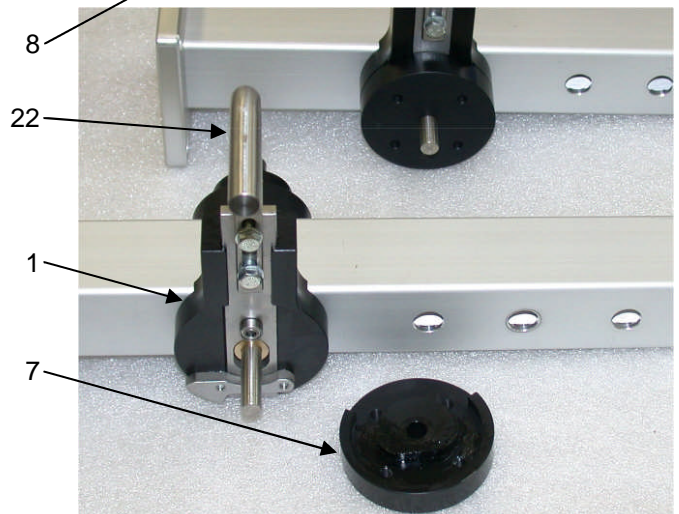
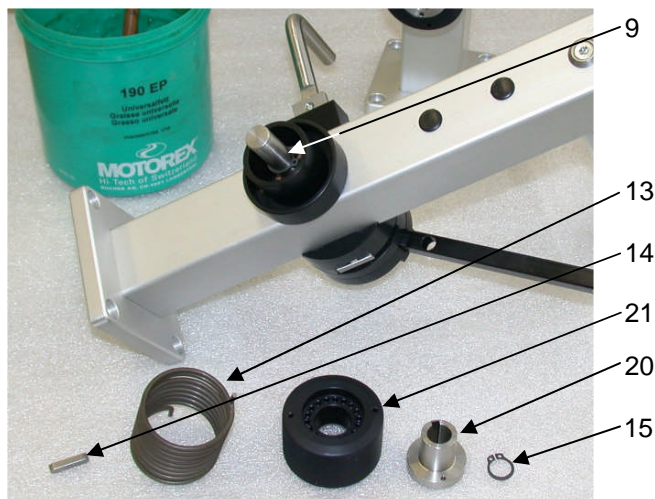
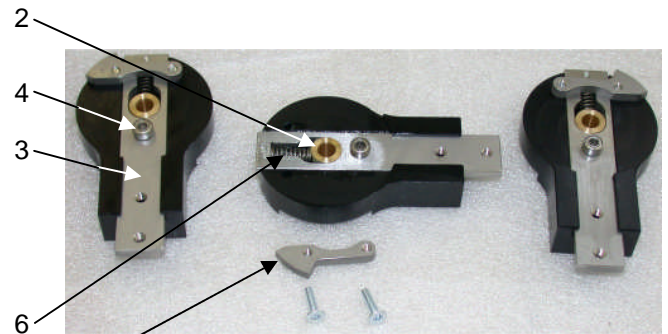
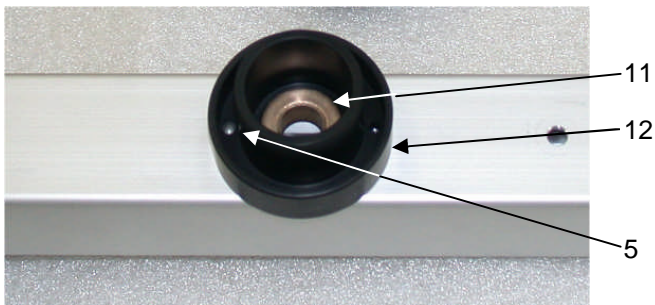
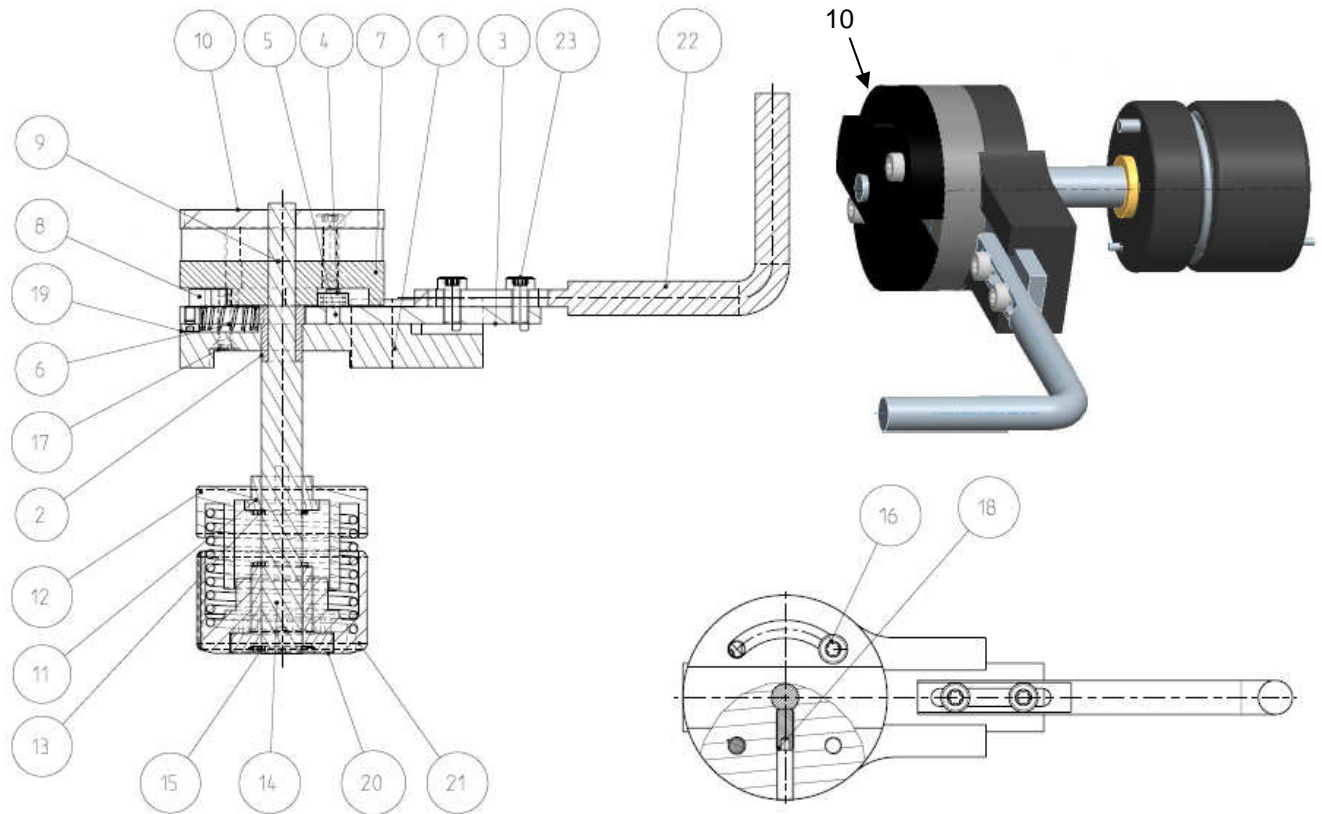


Pos	Designation	Chapter
1	Main rail	3.2.2
2	Brake mechanism	3.2.3
3	Reel mandrel	3.2.4
4	Fixed disc	3.2.6
5	Dancer	3.2.5
7	Adjustable disc	3.2.7

Spare Parts Catalog**3.2.2 Main rail**

Pos	Part Number	Designation
1	5218.0278	Flange
2	5218.0280	Main rail
3	7075.0299	Cap
4	NS008015Z	Screw M6x16

3.2.3 Brake mechanism

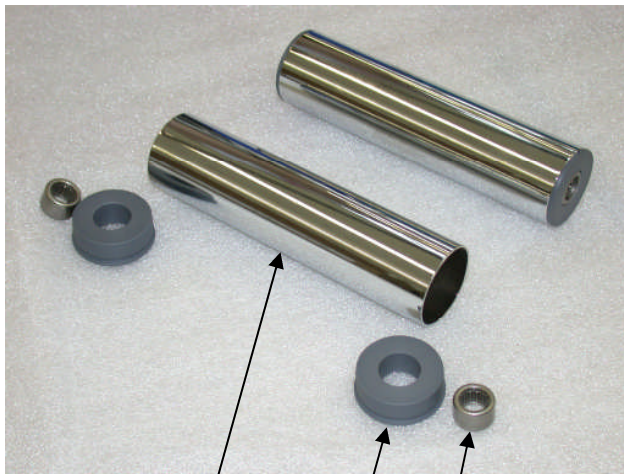


Spare Parts Catalog

Brake mechanism

Pos	Part Number	Designation
1	5218.0358	Flange
2	5843.1677	Bearing
3	5218.0356	Pusher
4	5842.1675	Ball bearing Ø4/9x4
5	NS322.532U	Pin Ø4x10
6	5829.2299	Compression spring
7	5218.0357	Excenter flange
8	5218.0359	Limiter for dancer arm
9	5218.0360	Dancer shaft
10	5218.0355	Fitting flange for dancer arm
11	5843.1666	Bearing
12	5218.0354	Flange for spring
13a	5829.2333	Torsion spring right
13b	5829.2322	Torsion spring left
14	NS300.016U	Fitting key 3x3x16
15	NS295.007B	Circlips Ø12x1
20	5218.0124	Lock flange
21	5218.0262	Knurled adjustment knob
22	5218.0353	Brake arm

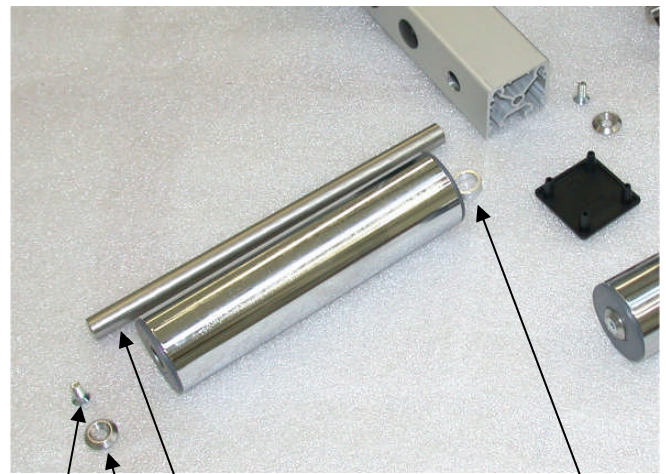
Reel mandrel



1

2

3



4

5

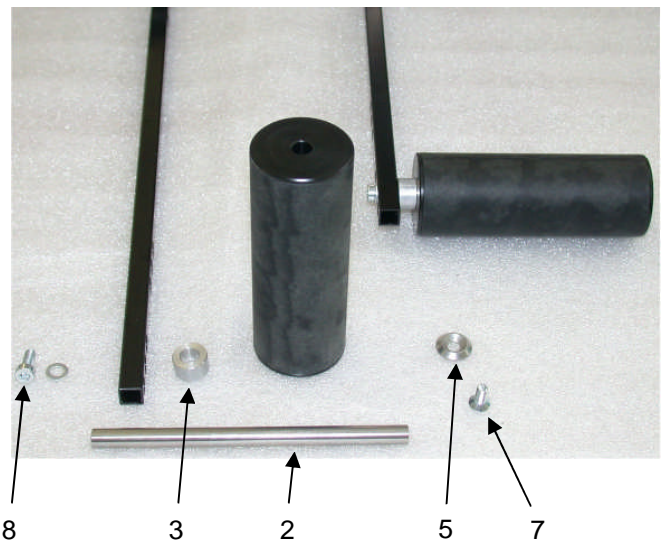
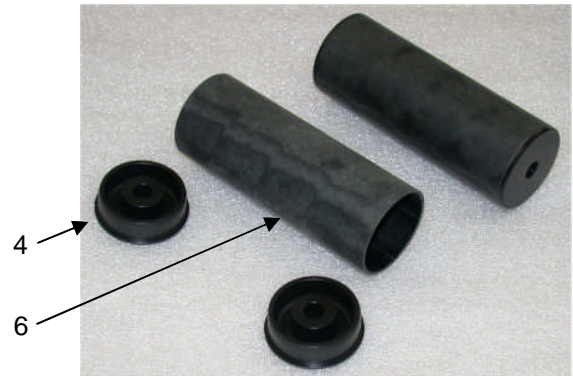
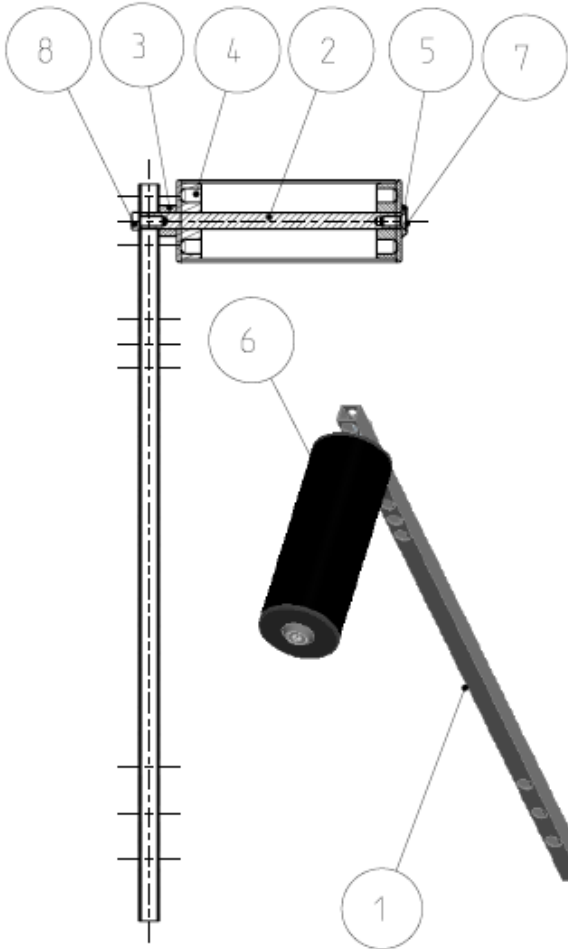
6

7

Pos	Part Number	Designation
1	5218.0365-00	Mandrel tube
2	5218.0364	Mandrel flange
3	5842.1180	Needle bearing Ø18/12x12
4	NS460.010Z	Screw M5x12
5	NS292.001Z	Special washer
6	5218.0366-00	Main shaft
7	5218.0367	Distance ring

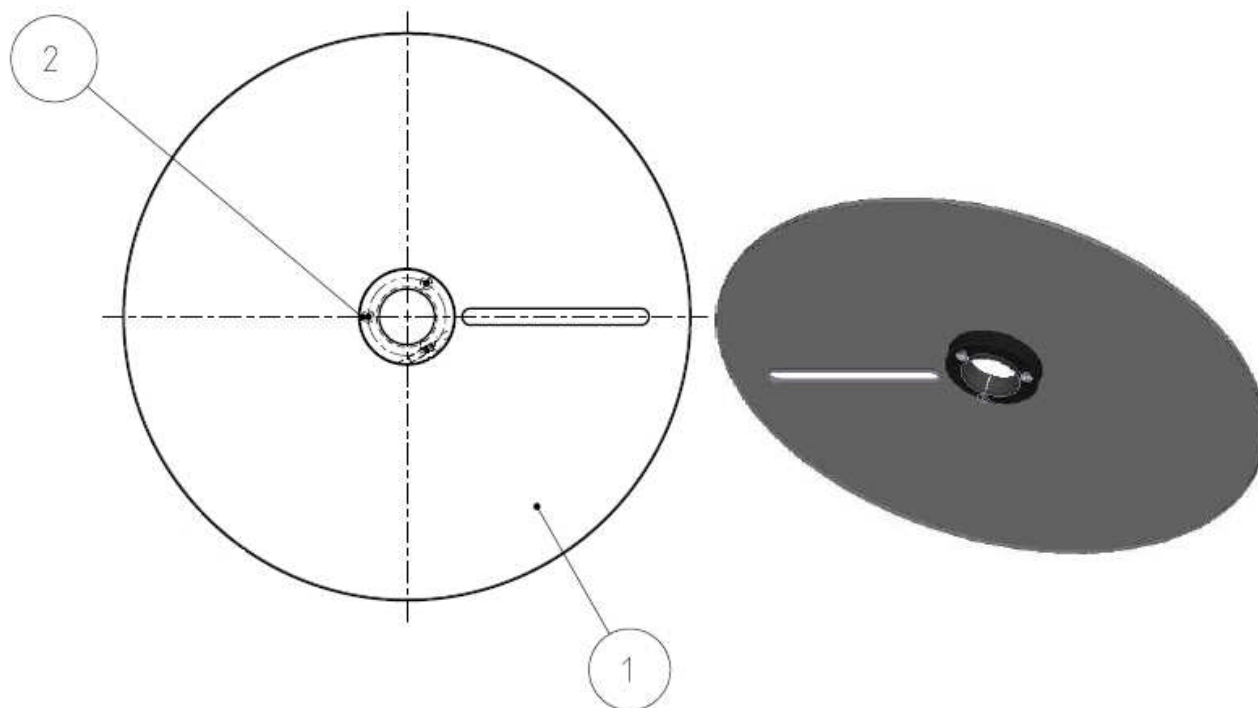
Spare Parts Catalog

3.2.4 Dancer



Pos	Part Number	Designation
1	5218.0373	Dancer arm
2	5218.0369-00	Roller shaft
3	5218.0370	Distance ring
4	5218.0372	Roller flange
5	NS292.001Z	Special washer
6	5218.0371-00	Deviation roller
7	NS046.010Z	Screw M5x12
8	NS008.009Z	Screw M5x12

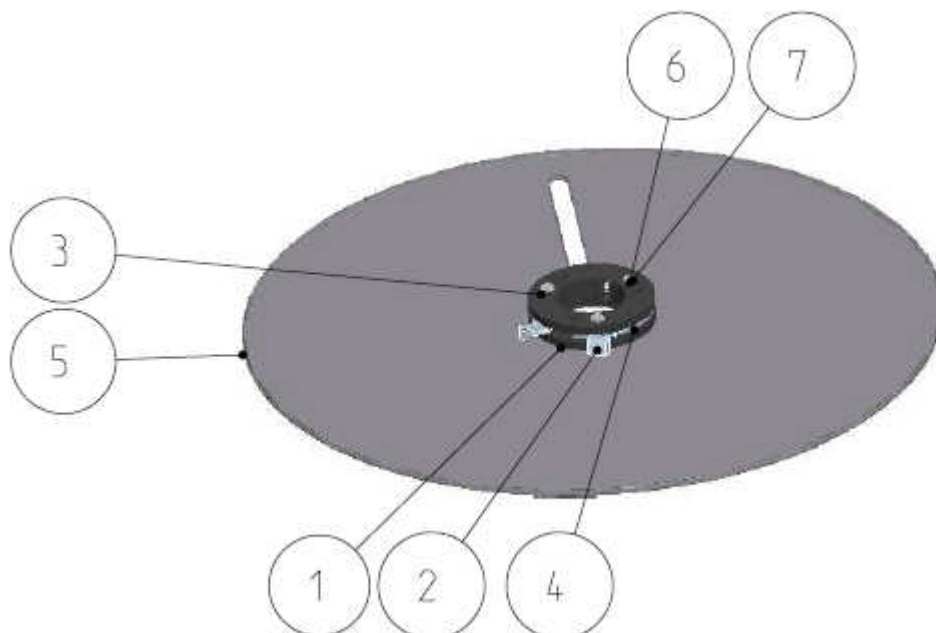
3.2.5 Rear disc (fixed)



Pos	Part Number	Designation
	5218.0044	Complete disc Ø 410 mm (assembled)
1	5218.0362	Disc
2	5215.0995	Fitting ring

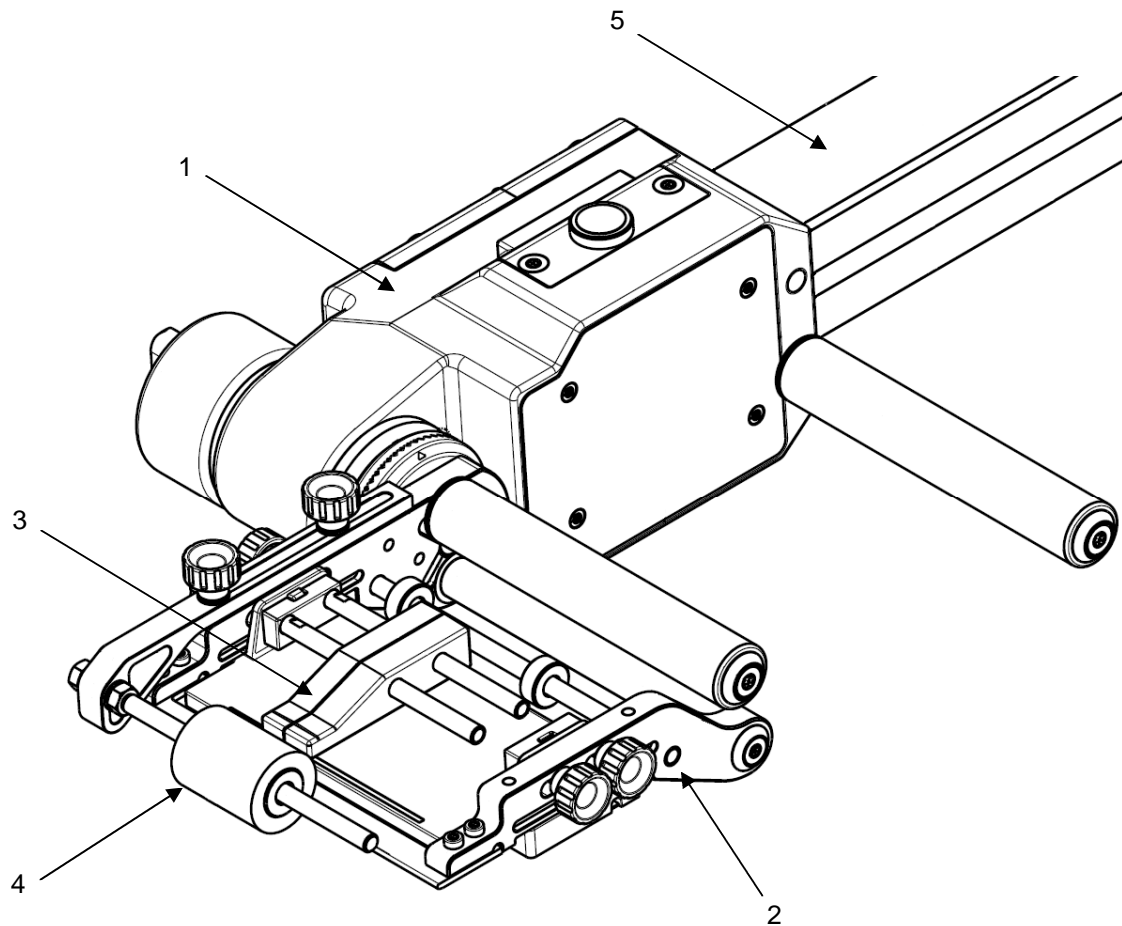
Spare Parts Catalog

3.2.6 Front disc (adjustable)



Pos	Part Number	Designation
	5218.0045	Complete disc Ø410 mm (assembled)
1	5215.0743	Back flange
2	5215.0768	Tension ring
3	5215.0751	Front flange
4	5829.1832	Tension spring
5	5218.0362	Disc
6	NS460.008Z	Screw M4x20
7	NS024.002Z	Flat nut M4

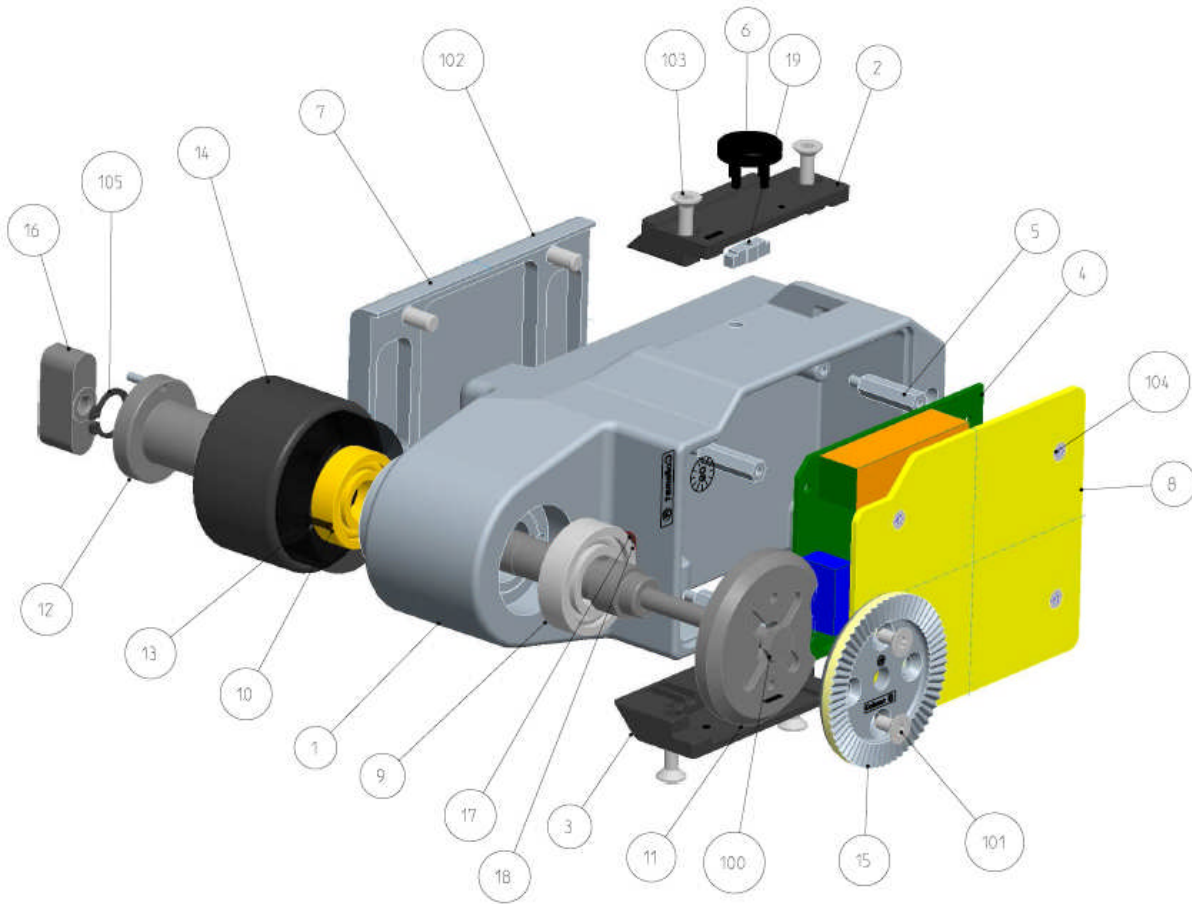
3.3 Applicator Components



Pos	Designation	Chapter
1	Body	3.3.1
2	Flap	3.3.2
3	Label scanner	3.3.2
4	Pressure roller	3.3.3
5	Module rail	3.3.4

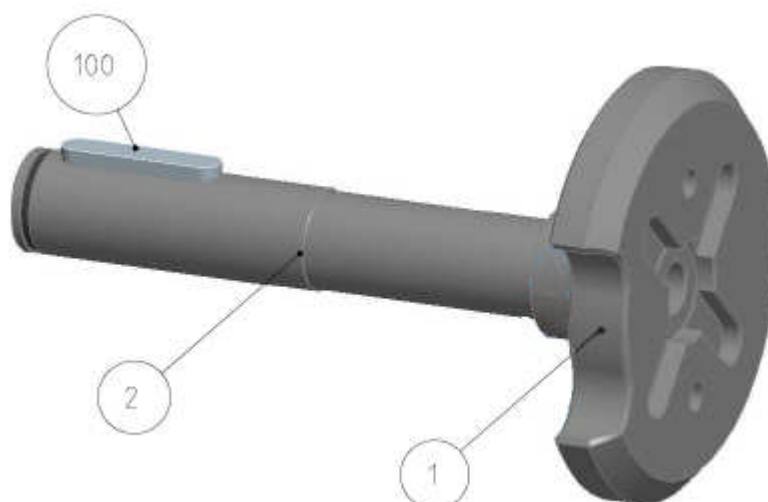
Spare Parts Catalog

3.3.1 Body



Pos	Part Number	Designation
2	5218.0251	Cable bracket 6P
3	5218.0252	Cable bracket 3P
4	5218.0405	Applicator board
5	7401.5933	Distance nut
6	7405.2000	GSC Button
7	5218.0255	Back cover / Fitting plate
8	5218.0256	Front cover
9	5842.1301	Ball bearing Ø15/32x9
10	5842.1131	Ball bearing Ø12/28x8
12	5218.0124	Lock flange

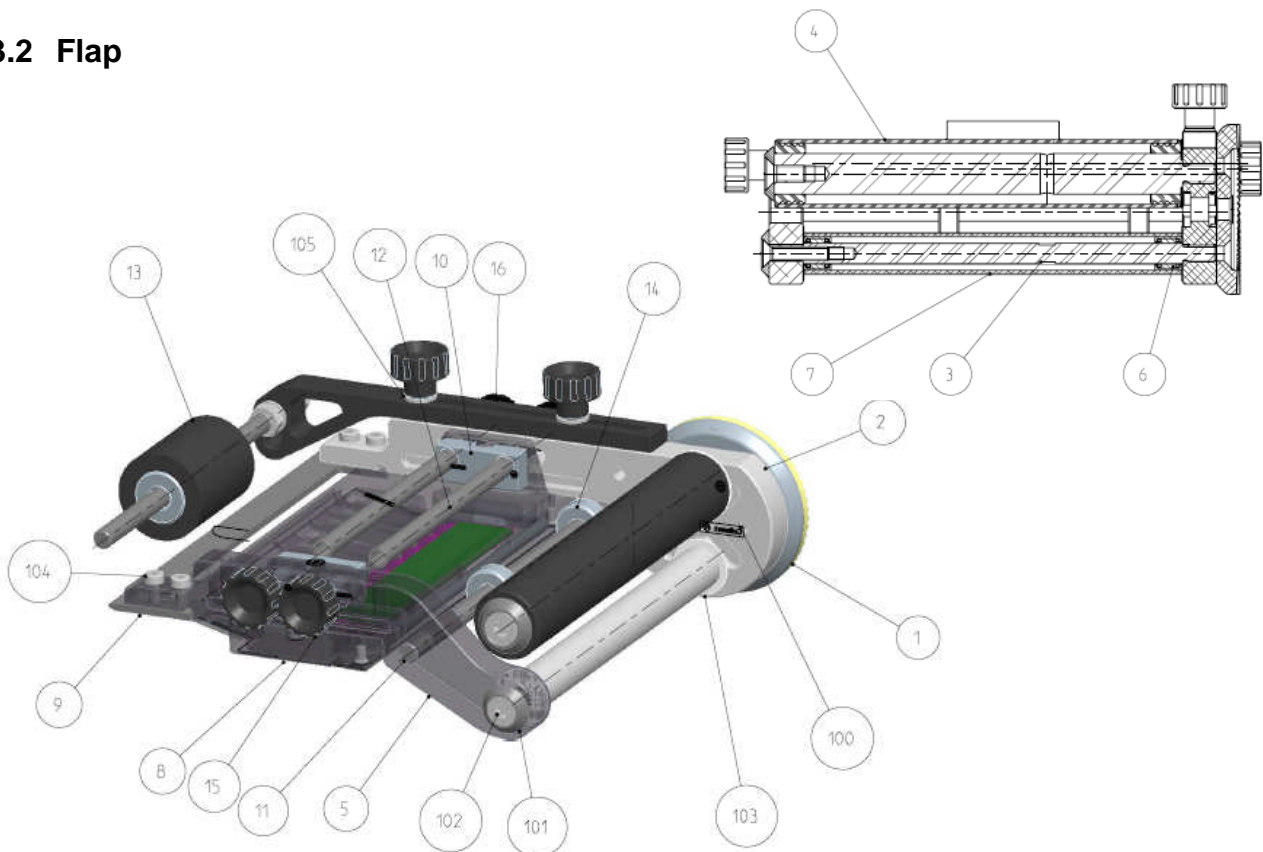
Pos	Part Number	Designation
13a	5829.2244	Torsion spring right
13b	5829.2255	Torsion spring left
14	5218.0262	Knurled adjustment knob
15	5218.0249	Toothed disc
16	5822.0553	Winged nut
17	5218.0336	Rubber limiter
19	7405.2002	Fixation part for GSC button
100	5218.0258	Special screw M6x114



Pos	Part Number	Designation
1	5218.0260	Fitting flange for flap
2	5218.0261	Flap shaft
100	NS300.012U	Fitting key 4x4x20

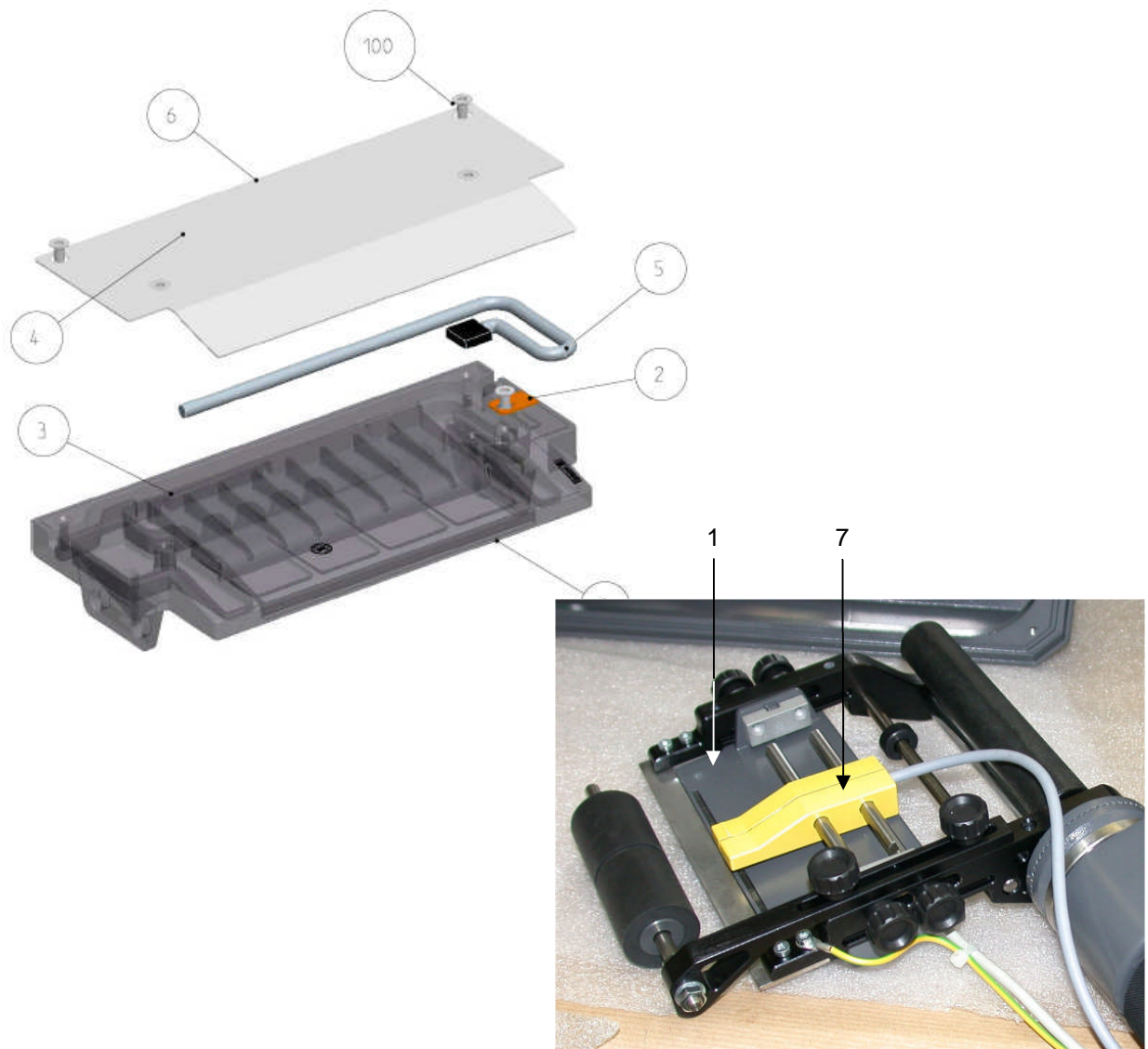
Spare Parts Catalog

3.3.2 Flap



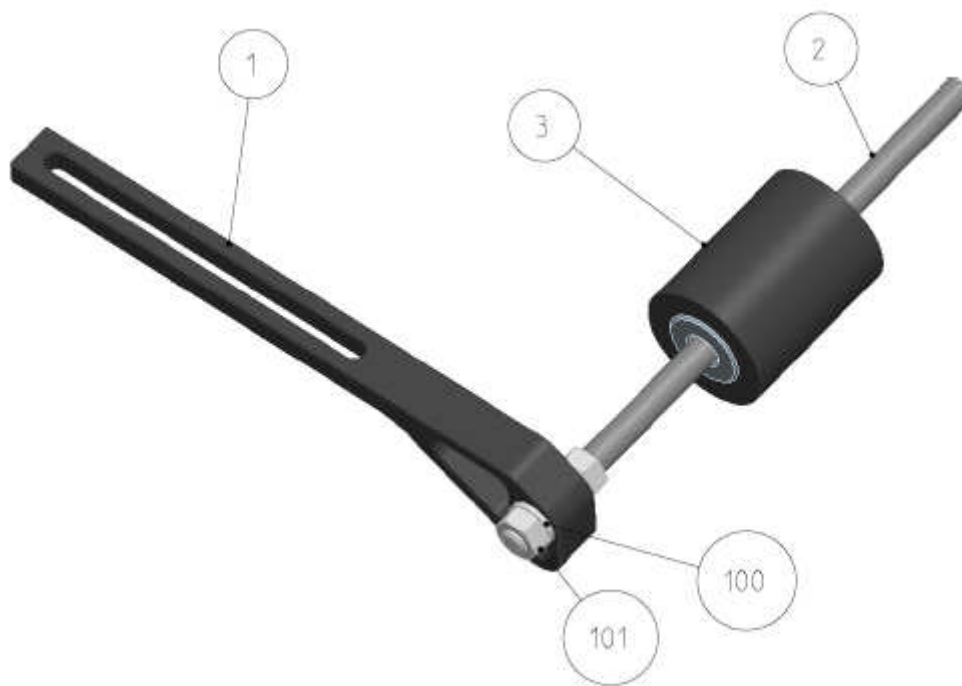
Pos	Part Number	Designation
1	5218.0249	Toothed disc
2	5218.0210	Main flap arm (dispensing plate holder)
3	5218.0226-00	Shaft Ø6
4	5218.0219-00	Roller Ø20
5	5218.0211	Stabilisation plate
6	5842.1866	Needle bearing
7	5218.0229-00	Roller Ø12
9	5218.0233-00	Dispensing plate
10	5218.0236	Sensor holder
11	5218.0237-00	Shaft Ø5.5 for paper guides
12	5218.0240-00	Bars Ø5.5 (LSC holder)
14	5215.1326	Paper guides
15	5822.0555	Knurled knob screw M4
16	5822.0552	Knurled knob nut M4

Flap (label detection)



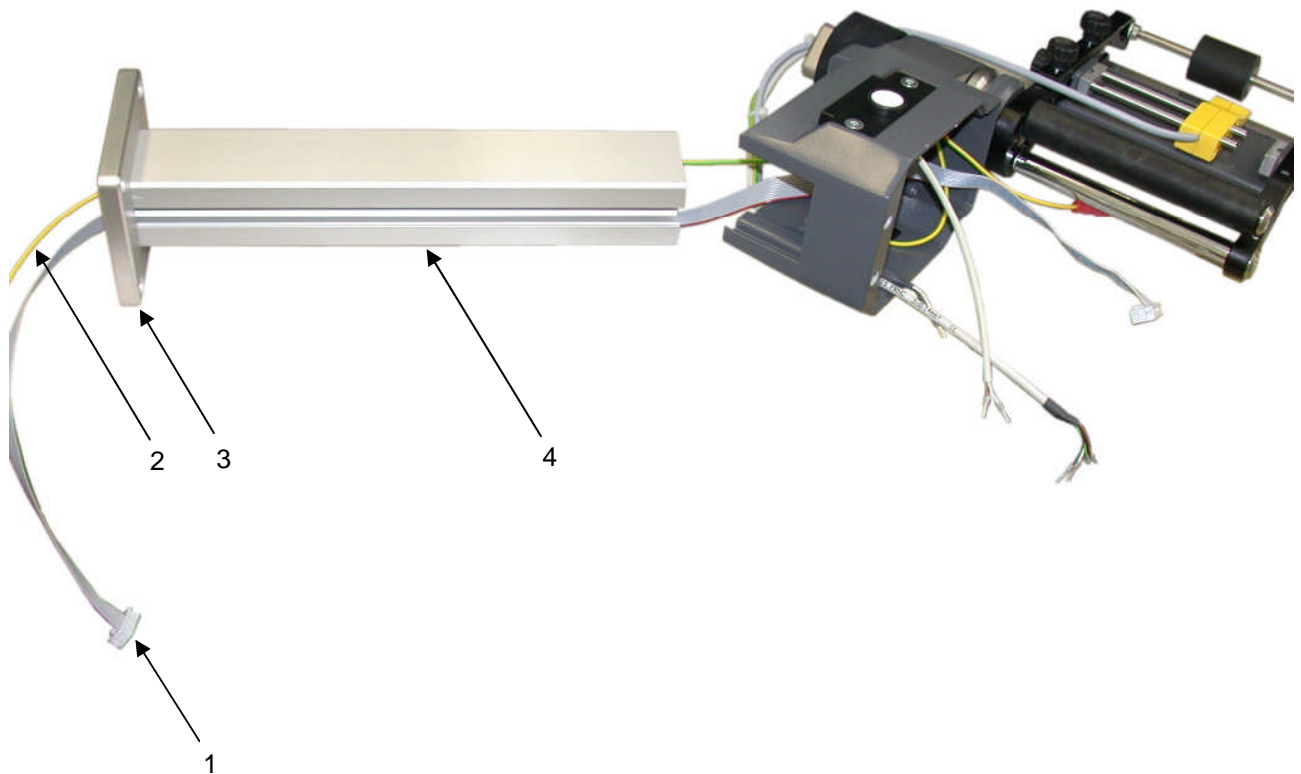
Pos	Part Number	Designation
1	5218.0200	Scanner plate
3	5218.0209	Light conductor
4	5218.0206	Emitter board (TCY)
5	5218.0207	Cable to emitter board
6	5218.0203-00	Metal sheet cover
7	5218.0110	Label Scanner complete (LSC)
100	NS046.018Z	Screw M2,5x5

3.3.3 Pressure roller

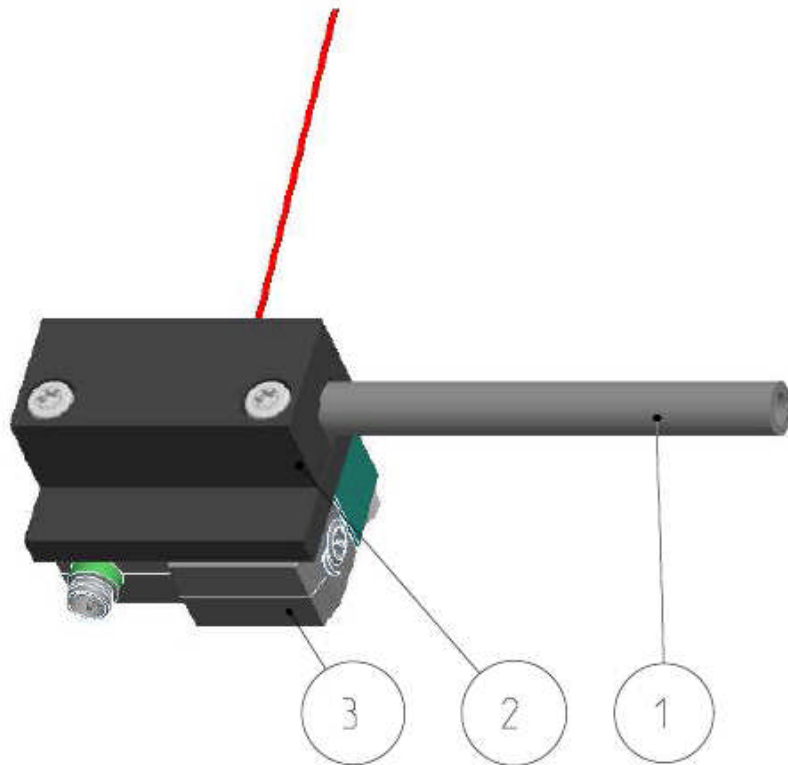


Pos	Part Number	Designation
1	5218.0245	Holder for pressure roller
2	5218.0247	Pressure roller shaft
3	5208.3246	Pressure roller
100	NS290.504Z	Washer M5
101	NS241.003Z	Nut M5

3.3.4 Module rail



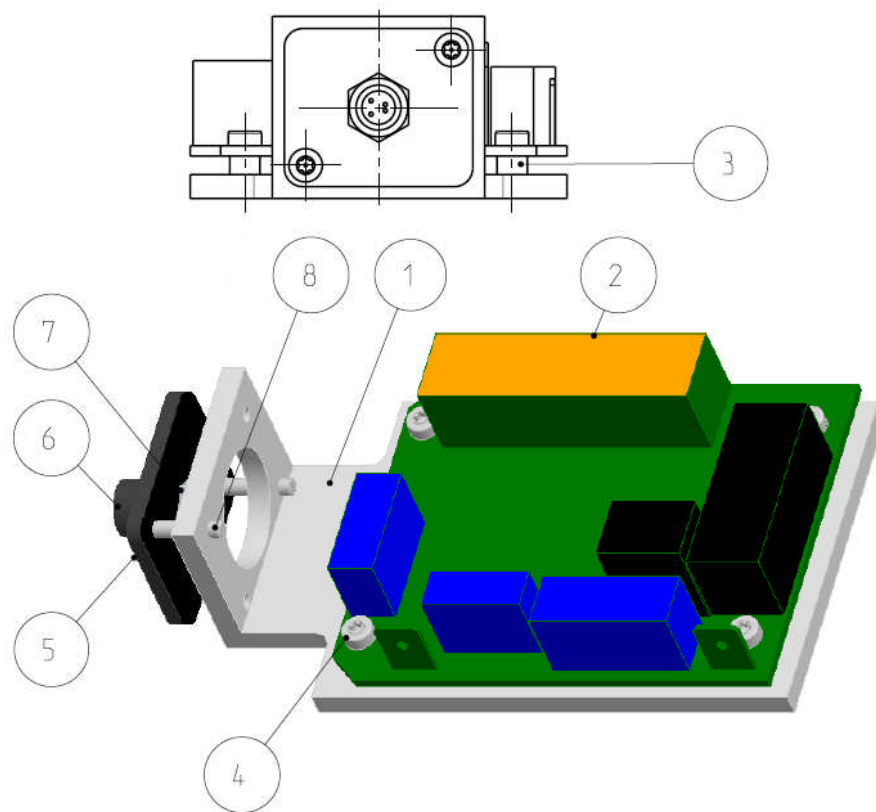
Pos	Part Number	Designation
1a	5218.0427	Applicator cable short (for 250mm module rail)
1b	5218.0428	Applicator cable long (for 500mm module rail)
2a	5218.0435	PE cable short (for 250mm module rail)
2b	5218.0436	PE cable long (for 500mm module rail)
3	5218.0278	Fitting flange
4a	5218.0279	Module rail short 250mm
4b	5218.0281	Module rail long 500mm

Spare Parts Catalog**3.4 Options****3.4.1 Label low detection**

Pos	Part Number	Designation
1	5218.0510	Fitting tube
2	5218.0512	Sensor holder
3	7405.2003	Label low sensor
	7405.2004	Connection cable for label low sensor

3.4.2 Internal mounting of applicator board

For external label scanner connection



Pos	Part Number	Designation
1	5218.0307	Holder for applicator board inside the traction unit
2	5218.0405	Applicator board
3	7401.5944	Distance ring
4	NS008.001Z	Screw M3x8
5	7401.6077	Cover
6	7401.6011	Plug socket M8
7	7401.6033	Nut for plug socket M8
8	NS046.002Z	Screw M3x16

4 Index

A		
Appendix	19	
C		
Components.....	8	
G		
General	4	
M		
Maintenance - First use	6	
		Maintenance schedule
		8
		O
		Operating Instructions
		4
		P
		Protective equipment
		maintenance
		7
		T
		Technology.....
		5

5 Register of documents in the Appendix

Index	Description	details
A	Boards and cables	
B	RoHS Conformity Declaration	

Register of documents in the Appendix

Register A

Boards (PCB) and cables

Board numbers, Collamat NG (HMC06)

Name	Description	Version	Measures [mm]	Part- number	Drawing- number
HMC0601	Main-Board	3.4	306 x 106	52180266	S 152188007
HMC0602	Connector-Board	V / Y	96 x 55	52180401	S 152180401
HMC0603	AVA-Connection-Board	A2	70 x 64	52180253	152180253
HMC0604-1	Connection-Box-Board (UMK-Module)	1B	72 x 110	52180404	152180404
HMC0604-2	Connection-Box-Board (Bopla-Alu-Box)	2A	70 x 114	52180403	152180403
HMC0605	AVA-Adapter-Board	G	79 x 62	52180405	S 152180405
HMC0606	MFA-Adapter-Board	S	79 x 62	52180406	152180406
HMC0607	Rewinder-Board (old)	X1 / X2	110 x 100	52180308	152188565
HMC0607	Rewinder-Board (new)	A	110 x 100	52180308	152188565
HMC0608	Rewinder-Sensor-Board (old)	X / Y	60 x 30	52180408	152180408
HMC0608	Rewinder-Sensor-Board (new)	A	60 x 30	52180408	152180408
HMC0609	Operatorpanel-Board (SMD)	A	98 x 60	52180379	S 152188993
HMC0610	Forksensor-Board N.U.	P2	27 x 20	52180410	152180410
HMC0611	LSC TCY IR-Sender-Board	I	79 x 16	52180206	S 152180206
HMC0614	AVA Driver Piggyback pending	C	97 x 86	52180414	152180414
HMC0615	X-WEB Driver Piggyback pending	G	97 x 86	52180415	152180415
RCM4010	Maincontroller Rabbit RCM4010		60 x 47	52180402	S -----

BOARDS
UL- / CSA- Conformity:

PCB material according to fire protection class UL 94 / V0 (category QMZS2)

Produktion / assembly of PCB according to UL accredited production process (ZPMV2)

UL94 = "Tests for Flammability of Plastic Materials for Parts in Devices and Applications"

Identical to IEC/DIN EN 60695-11-10 and -20 and identical to CSA C 22.2

CABLES
Cables according to:

Directive 2002/95/EC OF THE EUROPEAN PARLIAMENT AND COUNCIL from January 27th. 2003

Restriction of the use of certain dangerous material in electrical and electronic equipment.

UL- / CSA- Conformity:

If ever possible - use UL- and CSA-approved cables and wires only ! Those parts using NOT UL- and CSA-approved cables and wires have to be declared separately.

Cablenumbers Collamat NG (HMC06)

Name	Description	Pins	Length [mm]	Part- number	Stand. S	Drawing- number
HMC06CA01D	TUNIT sensorcable	3	370	52180271	S	152188558
HMC06CA02C	LLO sensorcable	3	450	52180421		152180421
HMC06CA03A	RWF sensorcable	3	250	52180422		152180422
HMC06CA04C	OOL sensorcable	1	310	52180423	S	152180423
HMC06CA05B	M8 socket (GSC)	4	115	52180424	S	152180424
HMC06CA06F-s	Operatorpanel cable short (HMC0601 to HMC0609)	5	400	52180425-00	S	152180425
HMC06CA06F-m	Operatorpanel cable midium (HMC0601 to HMC0609)	5	480	52180425-01	(S)	152180425
HMC06CA06F-l	Operatorpanel cable long (HMC0601 to HMC0609)	5	520	52180425-02	(S)	152180425
HMC06CA07E	Connectionplate cable (HMC0601 to HMC0602)	40	250	52180426	S	152180426
HMC06CA08D-s	Adapter cable (HMC0601 to HMC0605/06)	10	750	52180427	S	152180427
HMC06CA08D-l	Adapter cable (HMC0601 to HMC0605/06)	10	1000	52180428	(S)	152180428
HMC06CA09A	Motor cable (KT - part of motor)	4	----	74071800		152180429
HMC06CA10A	Ethernet patch cable (KT)	5	300	52180430		152180430
HMC06CA11B	Electric rewinder control c. (HMC0601 to HMC0607)	6	220	52180431		152180431
HMC06CA12E	Motorcontroller controll cable (HMC0601 to NDC06)	7	120	52180432	S	152180432
HMC06CA13C	Motorcontroller power cable (HMC0601 to NDC06)	2	120	52180433	S	152180433
HMC06CA14G	PE - cable Power	1	130/140/165	52180434	S	152180434
HMC06CA15A-s	PE - cable Adapter-Housing to VZW - (short)	1	500	52180435	S	152180435
HMC06CA15A-l	PE - cable Adapter-Housing to VZW - (long)	1	750	52180436	(S)	152180436
HMC06CA16E	Transformer 340VA with connectors (KT - part of trafo)	-	----	74080466		152180437
HMC06CA17E	Transformer 460VA with connectors (KT - part of trafo)	-	----	74080477		152180438
HMC06CA18C	Electric rewinder sensor c. (HMC0607 to HMC0608)	10	220	52180439		152180439
HMC06CA18D	Electric rewinder sensor c. (HMC0607 to HMC0608)	10-8	200	52180439		152180439
HMC06CA18E	Electric rewinder sensor c. (HMC0607 to HMC0608)	8	200	52180439		152180439
HMC06CA19B	M12 socket (TACHO)	4	85	52180440	S	152180440
HMC06CA20E-s-R	Label sensor sender cable (HMC0605/06 to HMC0611)	3(s)	680	52180207	S	152180207
HMC06CA20E-l-R	Label sensor sender cable (HMC0605/06 to HMC0611)	3(s)	760	52180454	(S)	152180207
HMC06CA20E-L	Label sensor sender cable (HMC0605/06 to HMC0611)	3(s)	550	52180455	(S)	152180207
HMC06CA21D	Label sensor receiver cable	2(s)	750	52180215	S	152188562
HMC06CA22A	AC power line cable for MFA adapter	3	1250	52180443		152180443
HMC06CA23A	Adapter DISP cable	2	150	52180444	S	152180444
HMC06CA24P1	AVA Driver Piggyback cable (HMC0614 to HMC0605)	20	1200	52180445		152180445
HMC06CA25P1	X-WEB Driver Piggyback c. (HMC0615 to X-WEB-unit)	20	1500	52180446		152180446
HMC06CA26B	PE -cable Adapter-housing to dispensing edge (M3-M4)	1	550	52180447	S	152180447
HMC06CA27A	PE -cable Frontplate (HMC0601 to Frontplate)	1	285	52180448	S	15218xxxx
HMC06CA28B	PE -cable Connectorboard (MMC0602 to Main-housing)	1	125	52180449	S	152180449
HMC06CA29A	Nonstop cable (HMC0602 to HMC0602)	13	3000	52180450		152180450
HMC06CA30A	Connection box cable (HMC0602 to HMC0604-2)	25(s)	2000	52180451		152180451

Register of documents in the Appendix

Name	Description		Pins	Length [mm]	Part- number	Stand. S	Drawing- number
HMC06CA31A	Ext.Operatorpanel cable	(HMC0602 to HMC0609)	5	2000	52180006		152180429
HMC06CA32A	Adapter connection cable	(HMC0605 to HMC0603)	20	500	52180452		152180452
HMC06CA33A	Connection module cable	(HMC0602 to HMC0604-1)	25(s)	2000	52180453		152180453
HMC06CA34A	Extension-cable-Indicator-LED		4	700	5218....		15218....
HMC06CA35A	Indicator-LED-cable	(KT – Schneider Electric)	4	150	5218....		15218....

Register B

RoHS - Conformity Declaration



RoHS - Conformity Declaration

The EU Directive 2002/95/EC regarding limitation of use of certain dangerous substances in electric and electronic devices prohibits the use of the substances below.

It was determined that the conformity of components is important for many customers, although there is no general legal ban on the contents of the components.

Definition of RoHS conformity:

RoHS conformity means that the product does not contain any of the prohibited substances above the limit levels, as described by the directive and (for components) the product may be processed at higher temperatures as required for a lead-free soldering process.

The prohibited substances and the maximum allowed limit levels per homogeneous substance are:

Substance	Limit level
Lead	0.1%
Mercury	0.1%
Chrome VI	0.1%
Polybromated biphenyl (PBB)	0.1%
Polybromated diphenylether (PBDE)	0.1%
Cadmium	0.01%

All suppliers for this product/device (see product details below) have confirmed that their components/component groups are in conformity with RoHS.

Collamat AG has taken all necessary steps to ensure the accuracy of this statement. The declaration is only binding for products that are purchased on or after the creation date.

Product details

Order number: xxxxxxxxx

Description/Manufacturer/Brand: Label Dispenser / Collamat AG / Collamat NG

Manufacturer description: Collamat-NG-WWW-R-D, in which: W = width, R = rewinder, D = direction

Date: Reinach, April 10. 2009

Collamat AG - Bodenmattstrasse 34, CH-4153 Reinach, Switzerland

++41 61 7562828 - www.collamat.ch