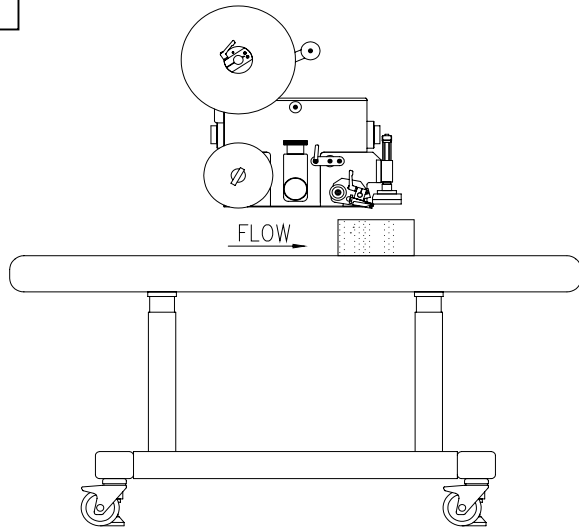
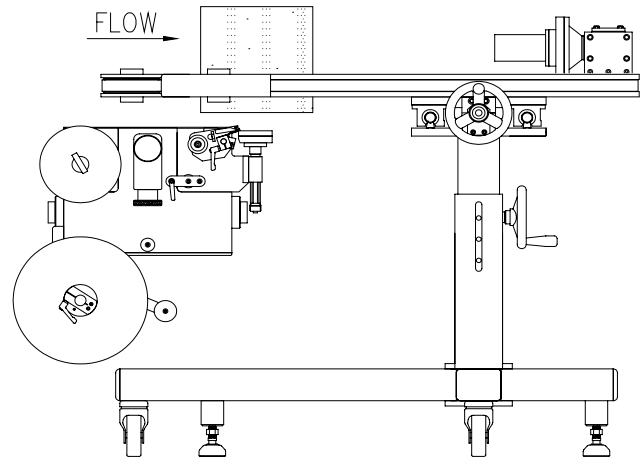


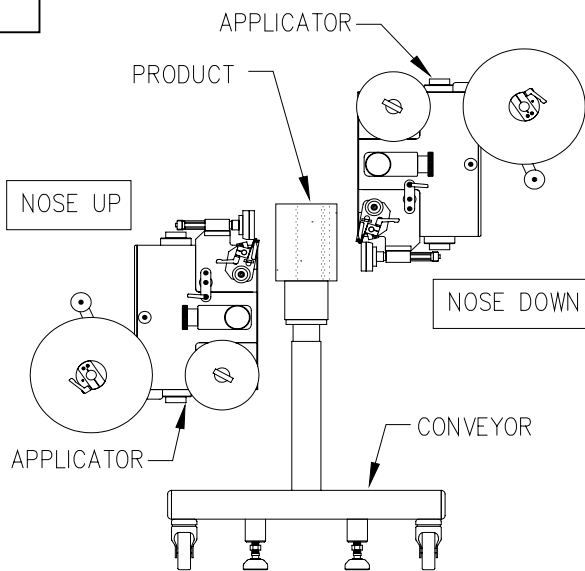
## APPLICATOR ATTITUDES



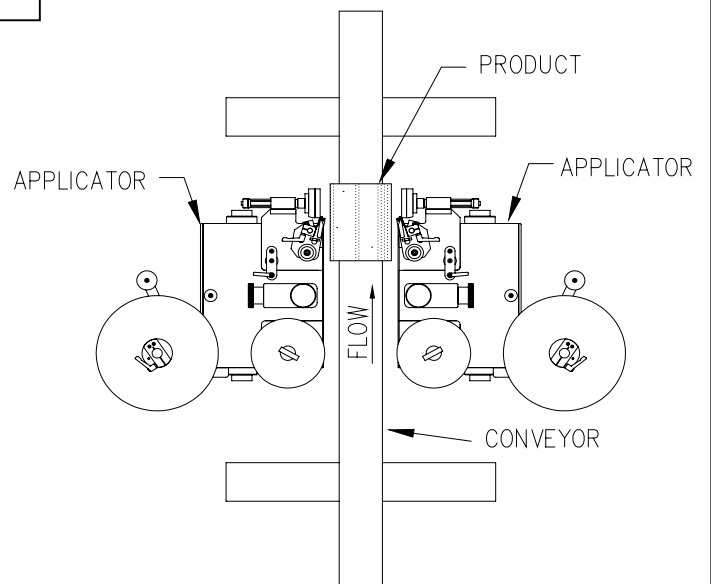
**UPRIGHT & ABOVE**



**BOTTOM UP**

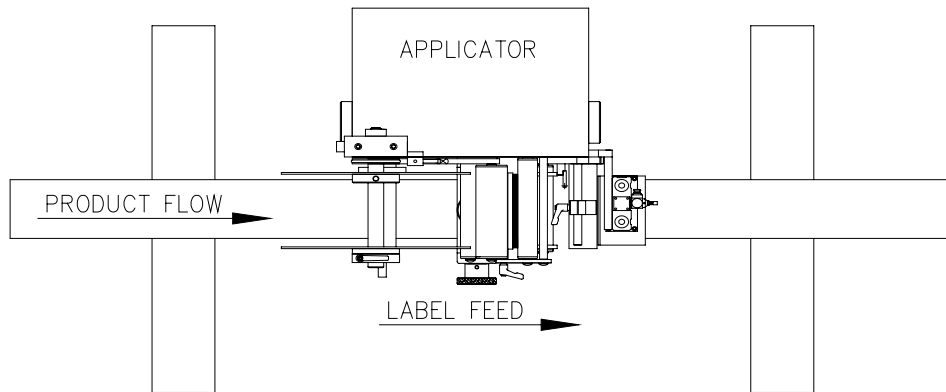


**NOSE UP / NOSE DOWN**

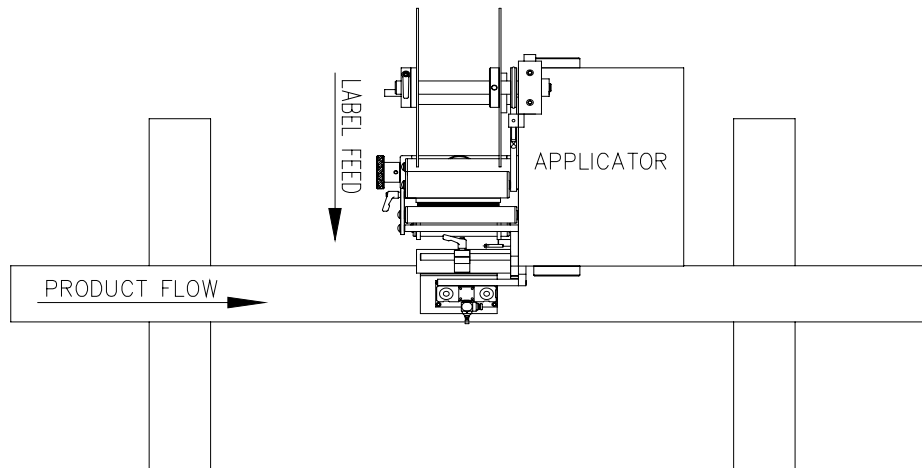


**REELS-UP**

**APPLICATOR ATTITUDES**



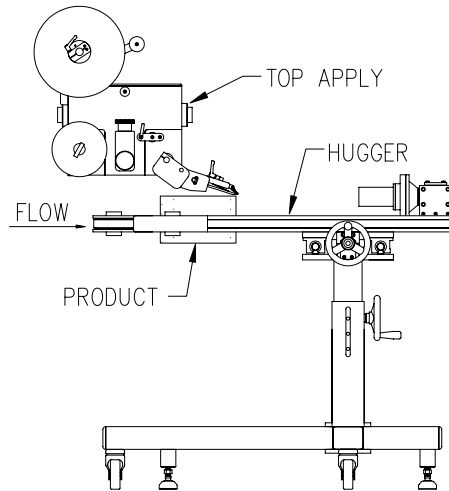
**UPRIGHT & ABOVE – PARALLEL with FLOW**



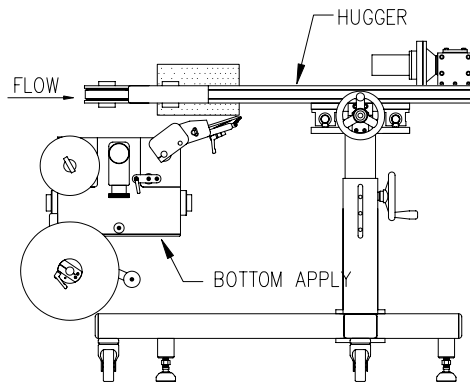
**UPRIGHT & ABOVE – PERPENDICULAR to FLOW**

## APPLICATOR ATTITUDES with HUGGERS

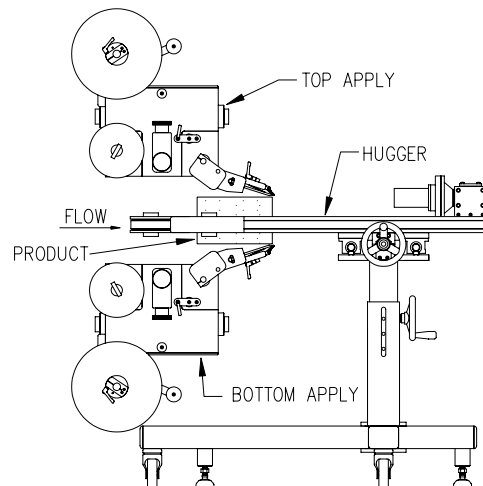
TOP APPLY ONLY  
PARALLEL with FLOW



BOTTOM APPLY ONLY  
PARALLEL with FLOW

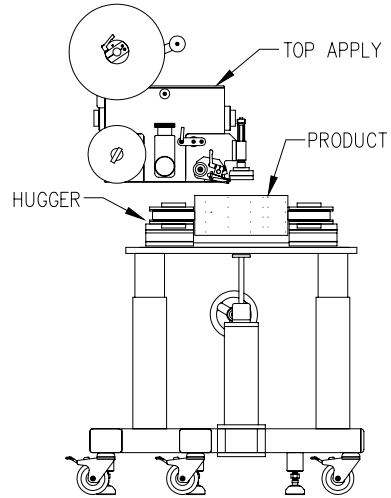


TOP & BOTTOM APPLY  
PARALLEL with FLOW

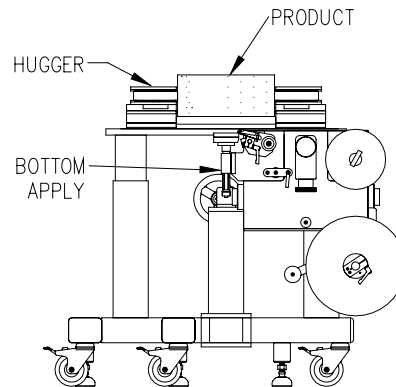


## APPLICATOR ATTITUDES with HUGGERS

**TOP APPLY ONLY  
PERPENDICULAR to FLOW**



**BOTTOM APPLY ONLY  
PERPENDICULAR to FLOW**



**TOP & BOTTOM APPLY  
PERPENDICULAR to FLOW**

