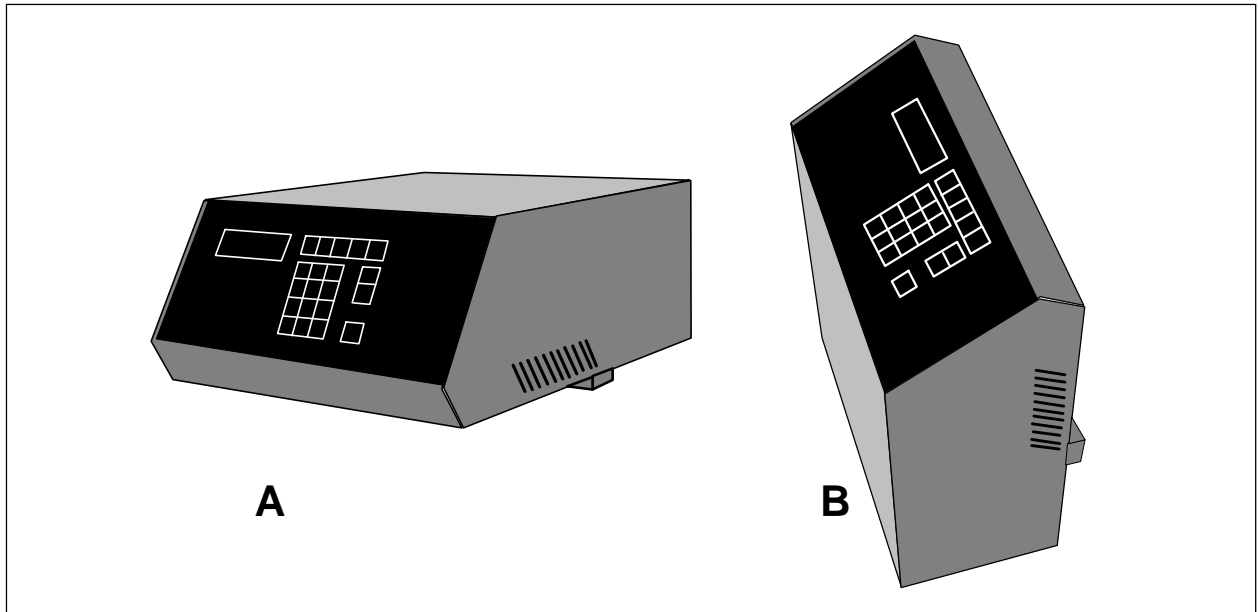
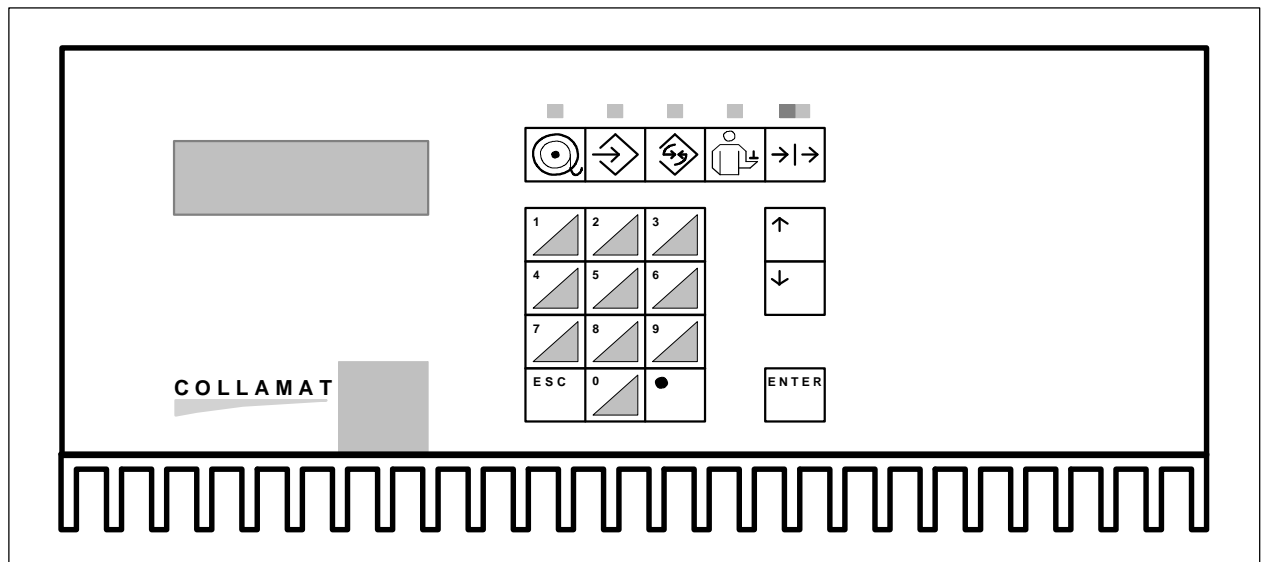


# The Monitor Collamat® 8600 / 9100

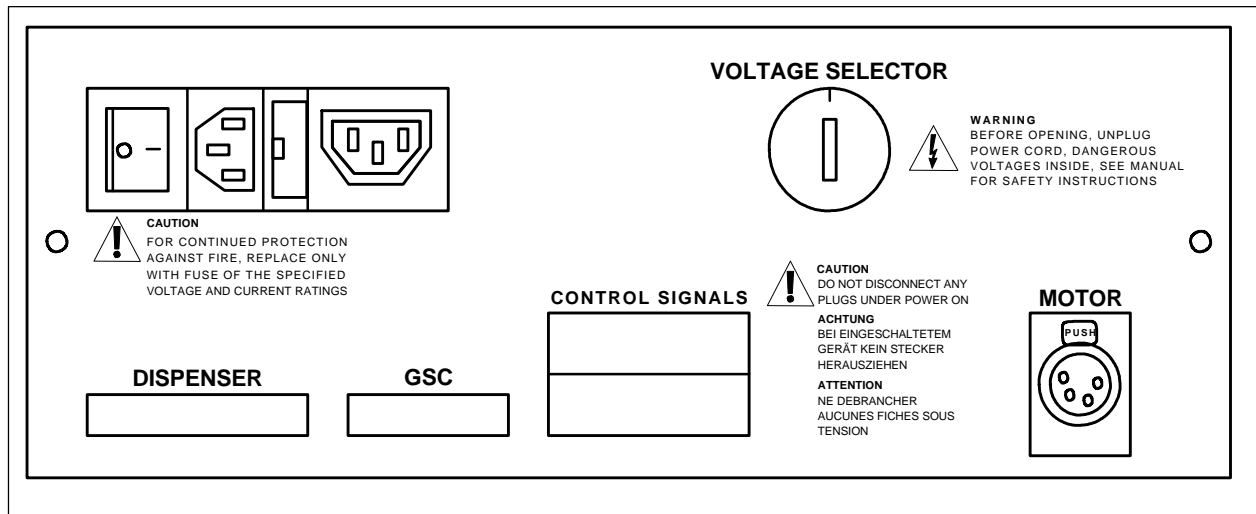
## Monitor installation



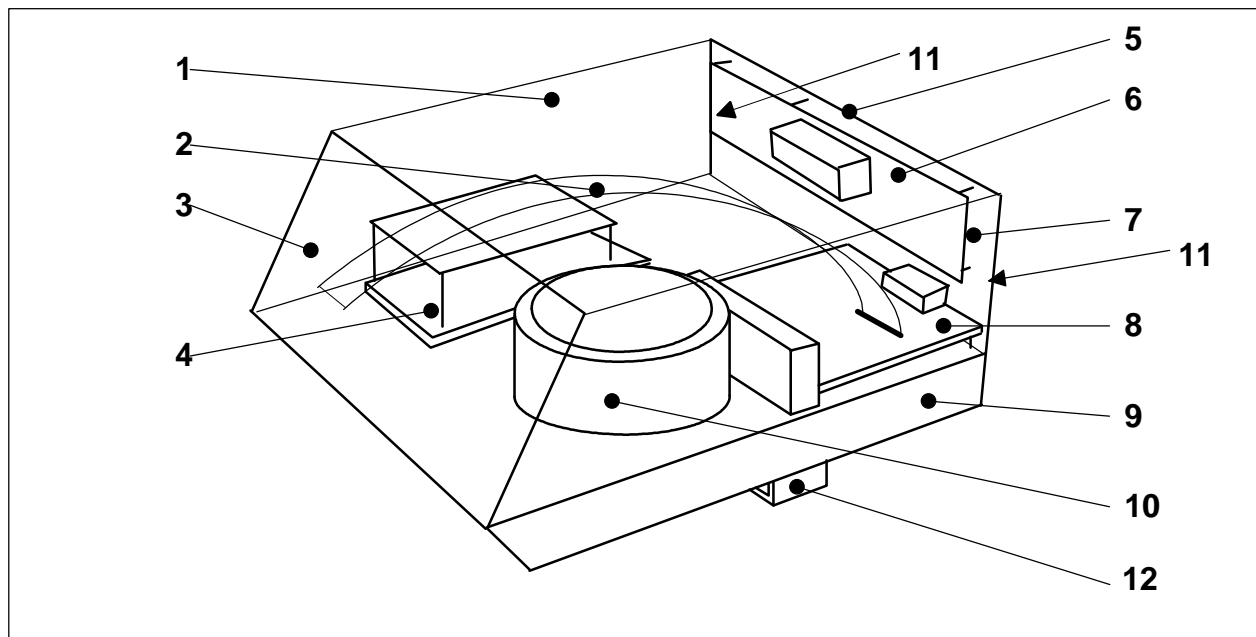
## Frontpanel



## Rear Panel

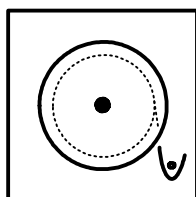


## Assembly parts of the monitor



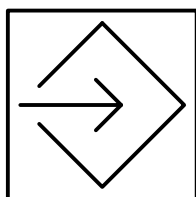
## The keyboard of C8600 / C9100

### Menu Labelling



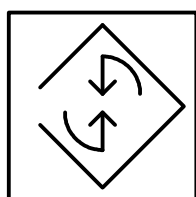
- Functions which are used during the normal labelling mode.

### Menu Programming



- All settings for labelling
- Handling of labelling Programs

### Menu Configuration



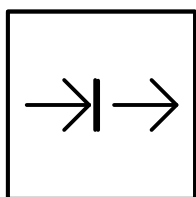
- All system parameters which normally are set once.

### Menu service functions



- Common working data
- Test functions

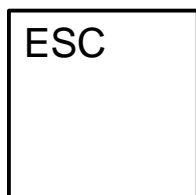
### Key Run / Stop



- Stop function is always active
- Run function is temporary blocked

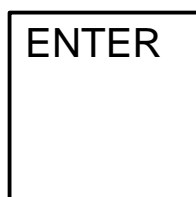
## The keyboard of C8600 / C9100

### Key ESC



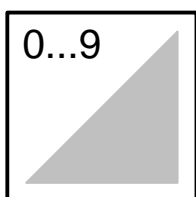
- Menu handling : One level higher
- Number entry : Break of entry

### Key ENTER



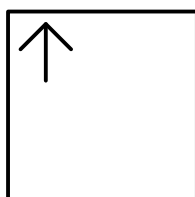
- Menu handling : One level lower
- Number entry : Terminate entry

### Number Keys and Period



- Number entry
- Special functions

### Cursor Keys UP and DOWN



- Selection of Menu Options
- Selection of Functions

## The menu types of C8600 / C9100

Four different types of menus are used:

### 1. Selection Menus

Selection of a menu option which is situated behind the activated line.  
The arrow indicates more options available

```

LABELLING MODE
  Label Jog
▶ Select program
  Information Displa↓
    
```

### 2. Function Menus

Selection of one function from several possible options.  
Choice can be changed with the arrow keys.

```

SELECT COUNTER

Choice : Labels
    
```

### 3. Entry of Numbers

Numbers can be entered with the keys 0..9 and .  
Change in steps of 1 are possible with the arrow keys.

```

PREDISPENSING

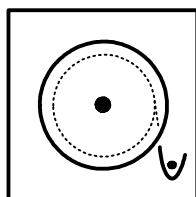
Value :      12.4 mm
    
```

### 4. Special functions

All menus with special functions show the handling on the LCD-display.

```

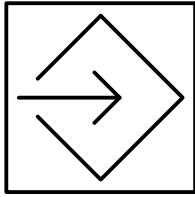
[UP/DOWN] Error-No.
[0/1] Continue/Stop
Continue at
Label Stock
    
```



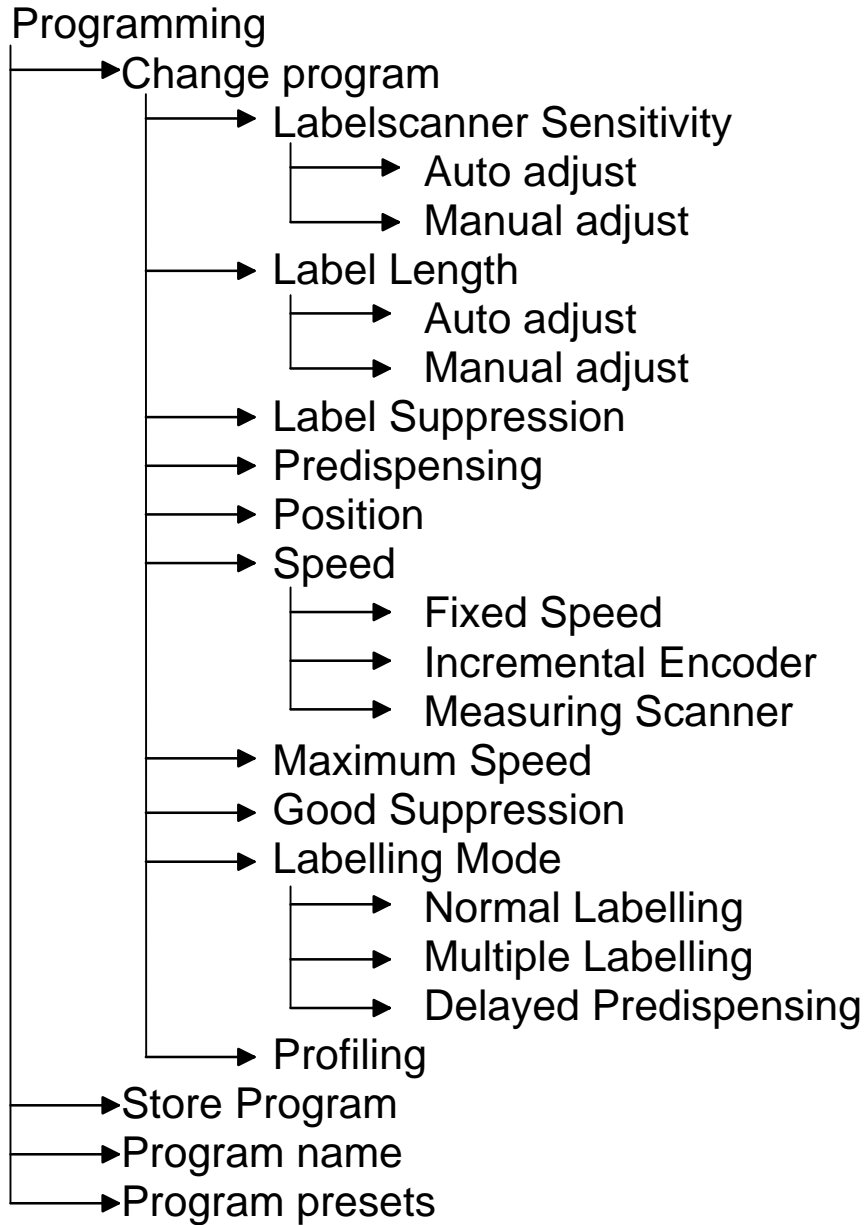
## Menu tree Labelling

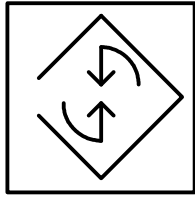
### Labelling Mode

- Label Jog
- Select program
- Information display
- Reset Counter
- Preset Counter
- Select Counter (Labels / Goods / External)
- Reset Nonstop



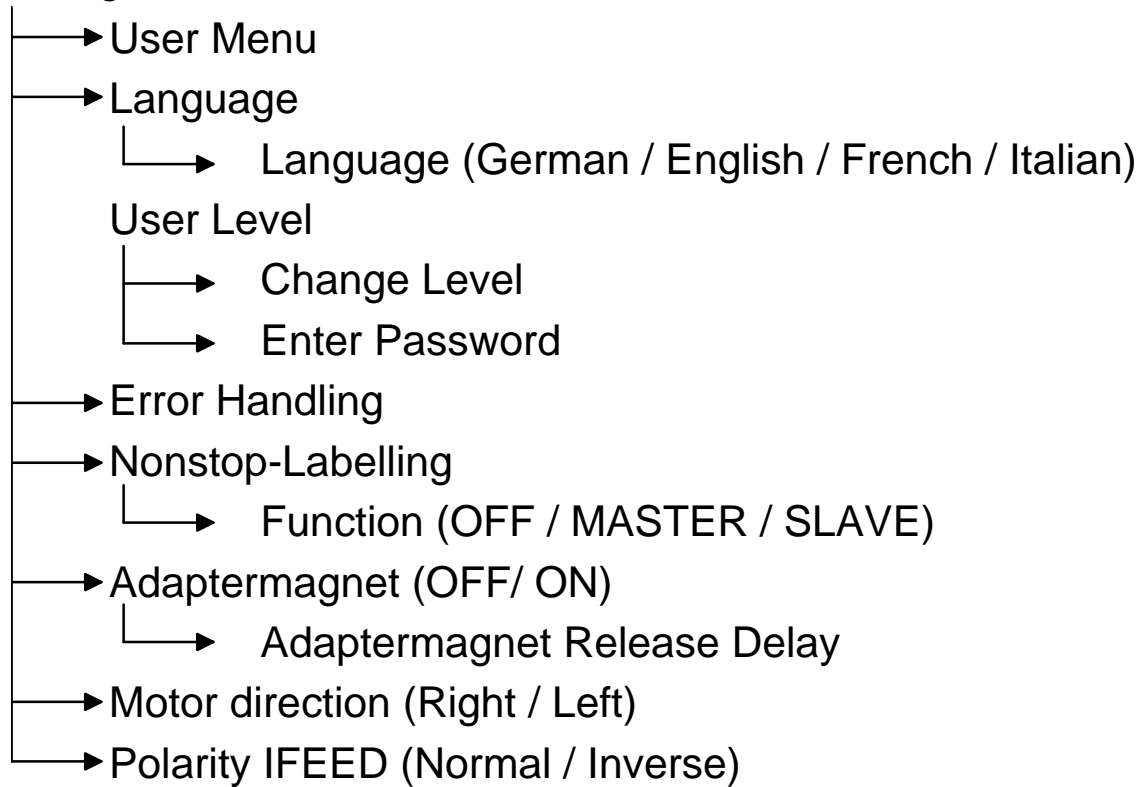
## Menu tree Programming





## Menu tree Configuration

### Configuration

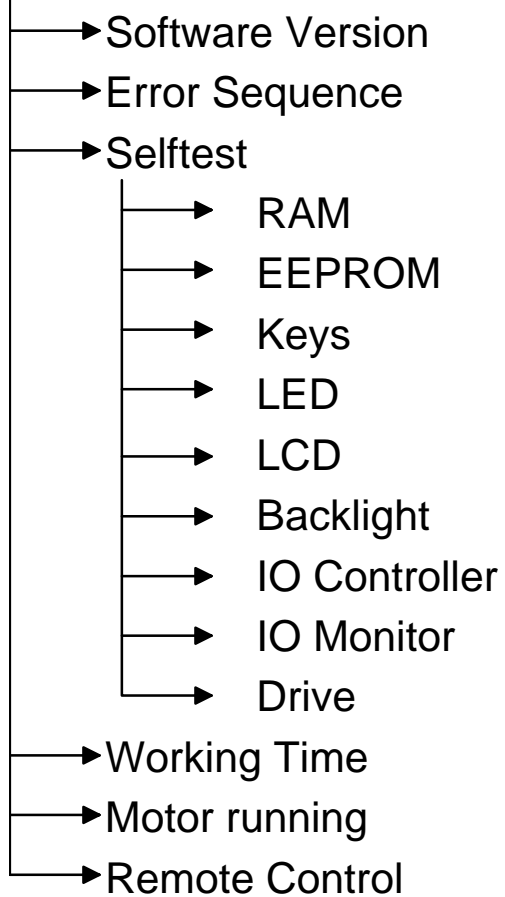




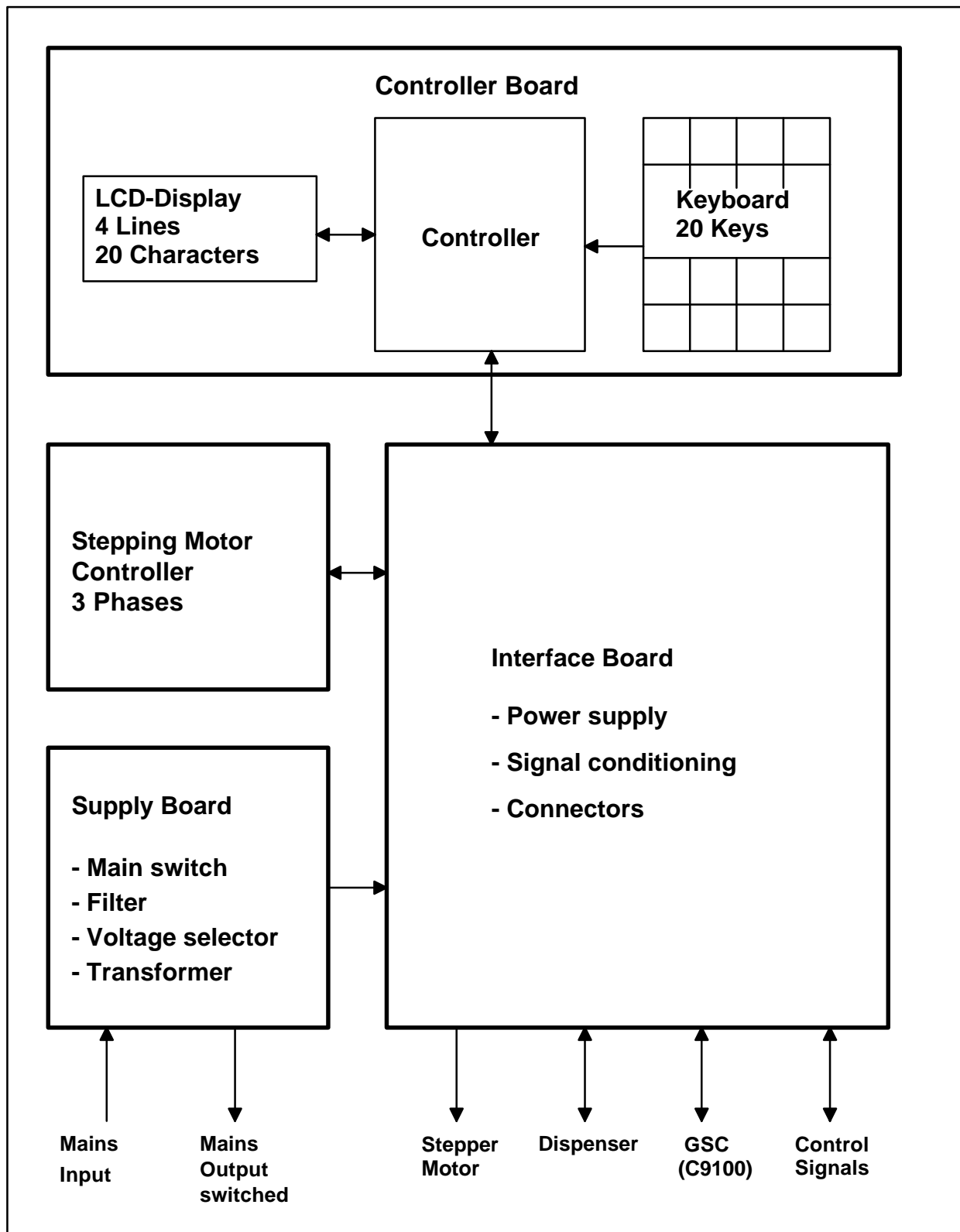


## Menu tree Service Functions

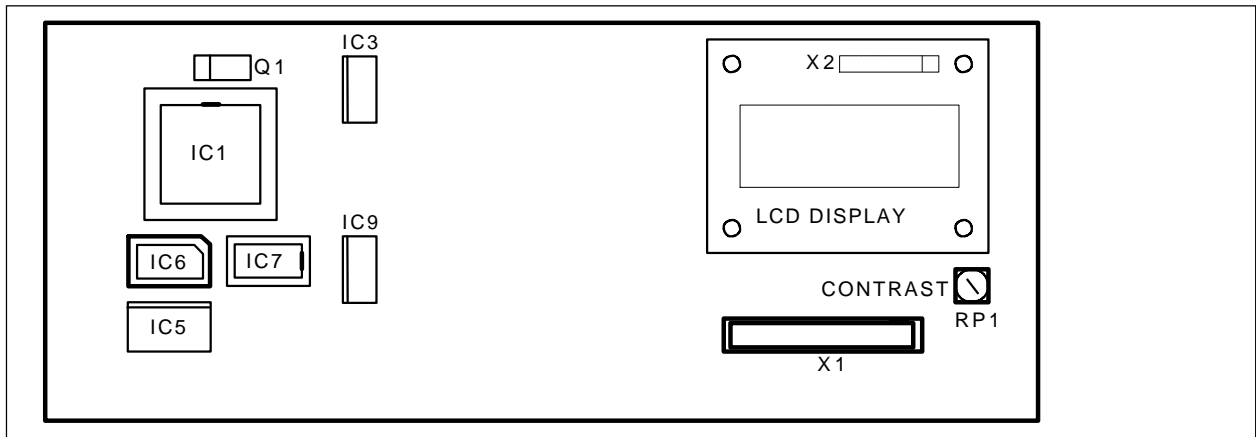
### Service functions



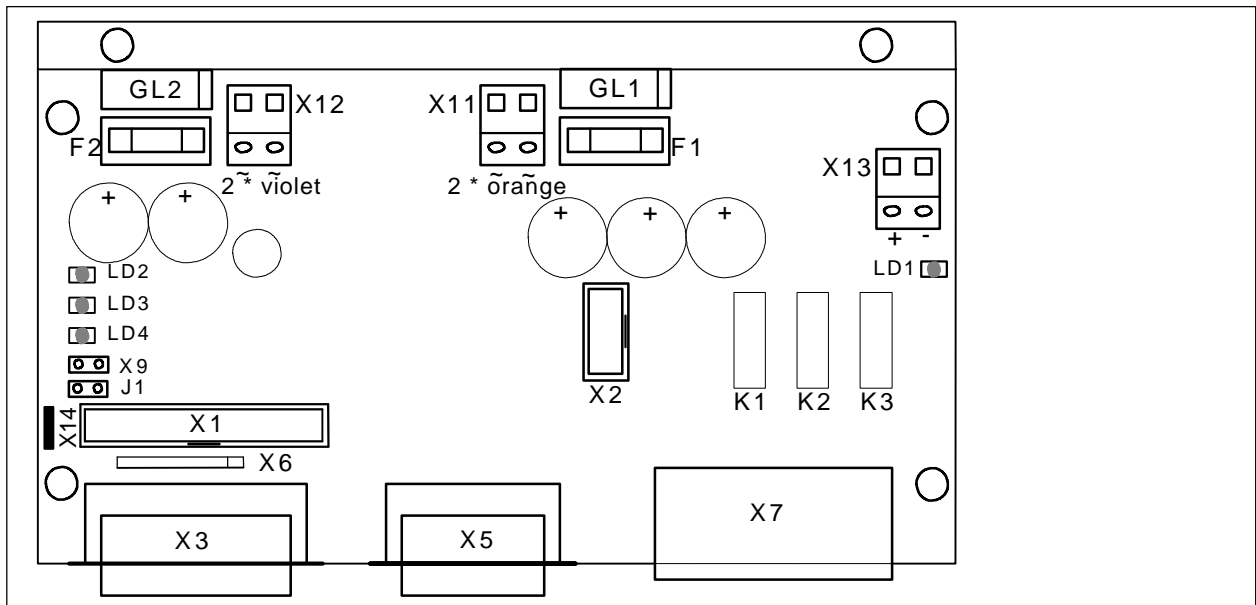
## Block diagram of the monitor C9100



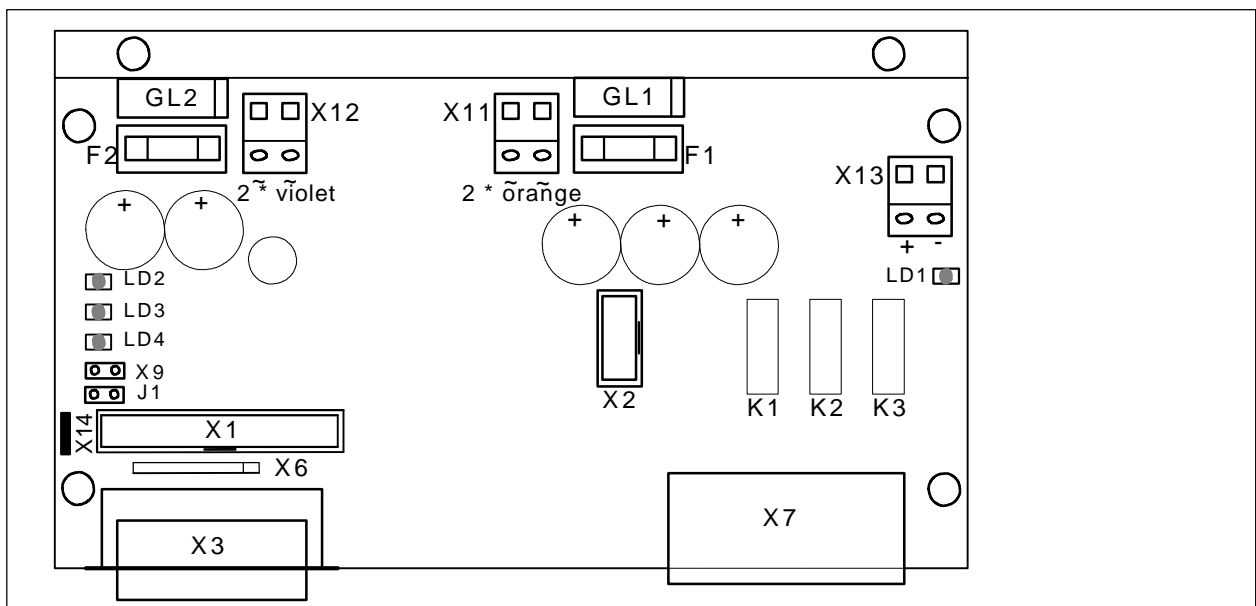
## Controller board



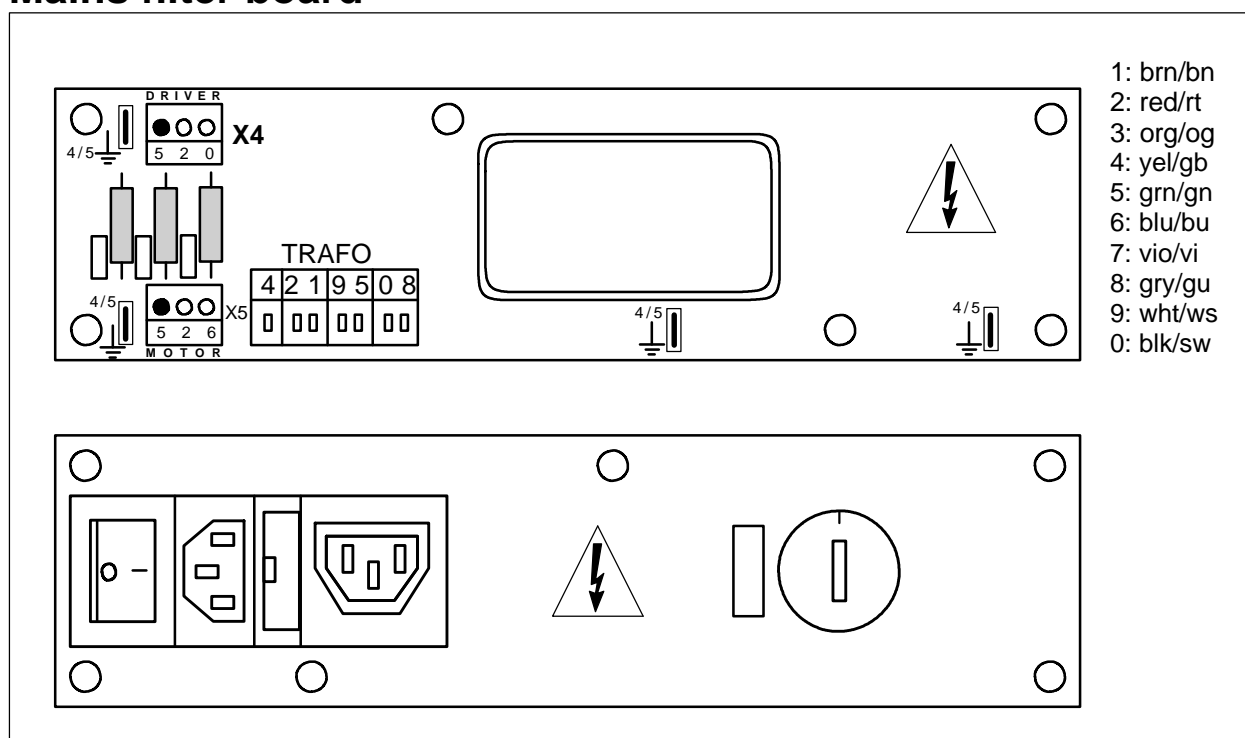
## Interface board C9100



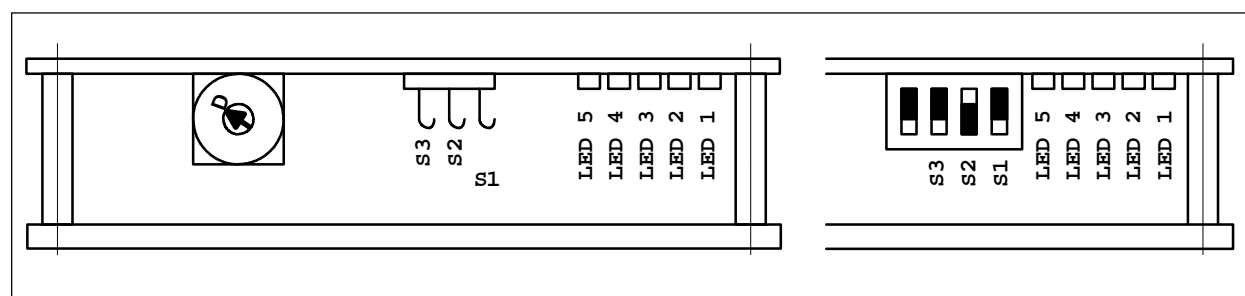
## Interface board C8600



## Mains filter board



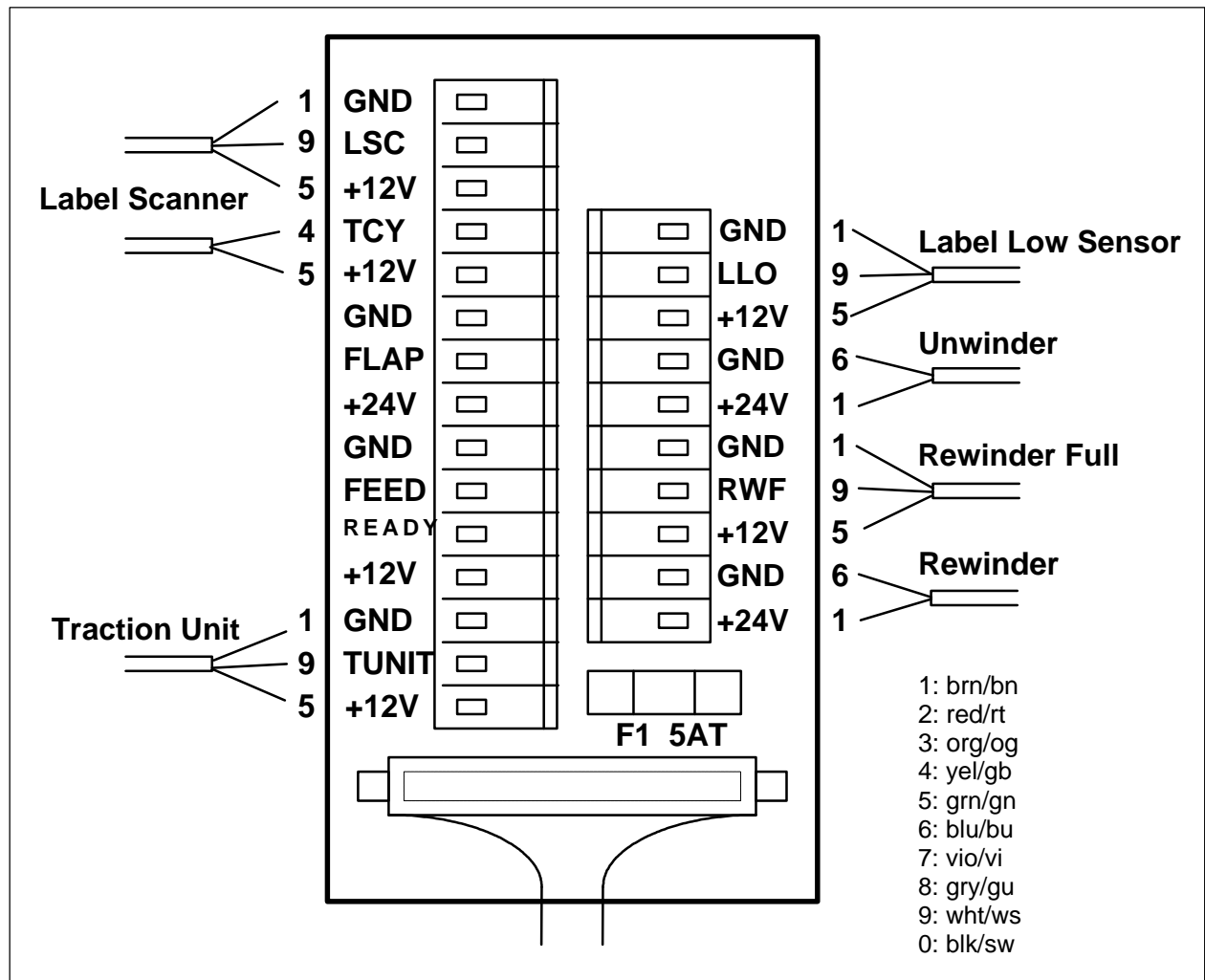
## Motordriver



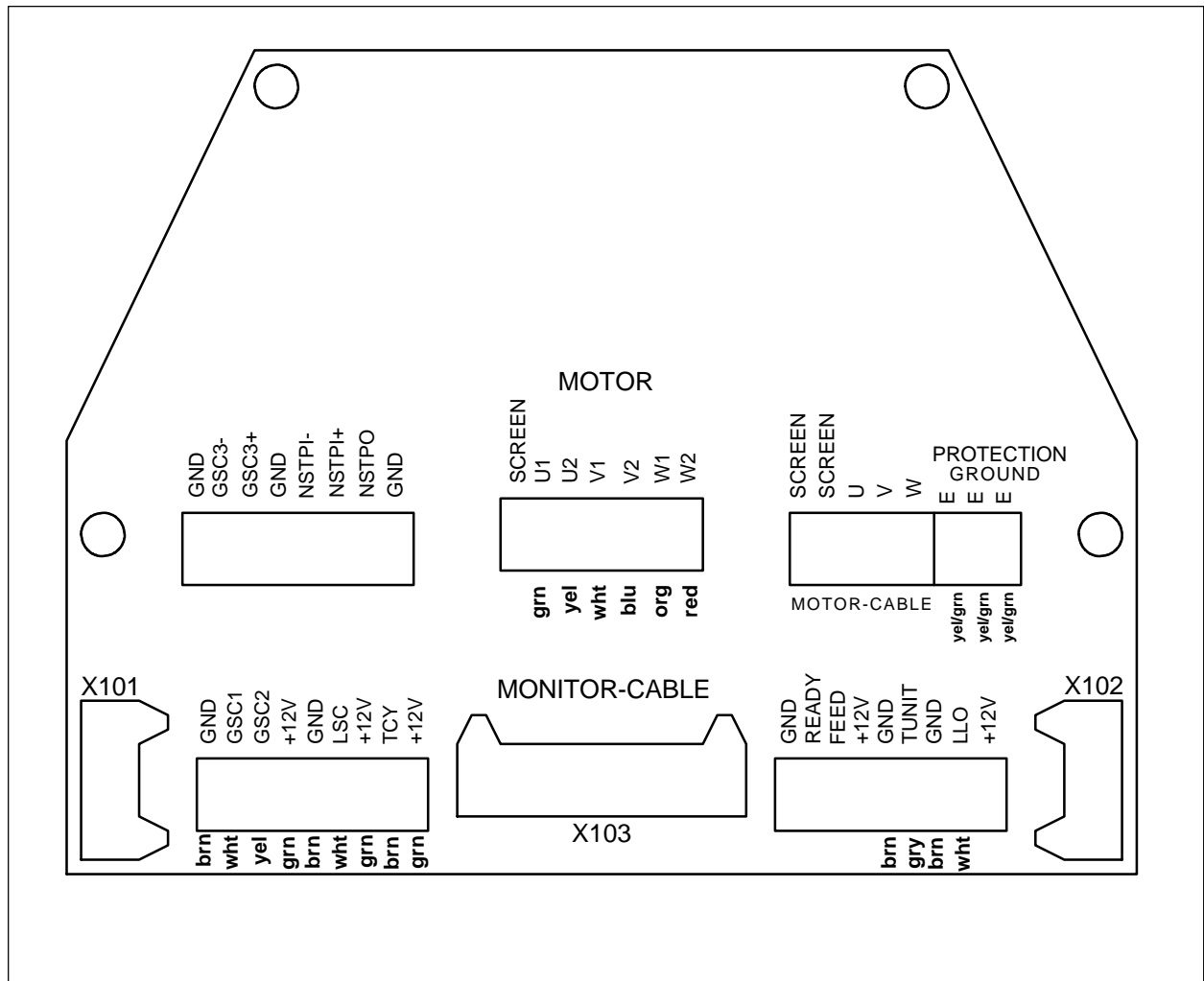
<b>S1 : open</b>	<b>S2 : closed</b>	<b>S3 : open</b>	<b>Selectorswitch : D</b>
------------------	--------------------	------------------	---------------------------

LED 1	lights up when the motordriver is operating properly. The supply voltage exceeds 80 VDC.
LED 2	lights up in case of a short-circuit between two motor phase leads.
LED 3	lights up in case of overtemperature (> 75°) at the heatsink.
LED 4	lights up in case of overvoltage (>140 V) during operation with brake.
LED 5	lights up in case of undervoltage (< 80 V).

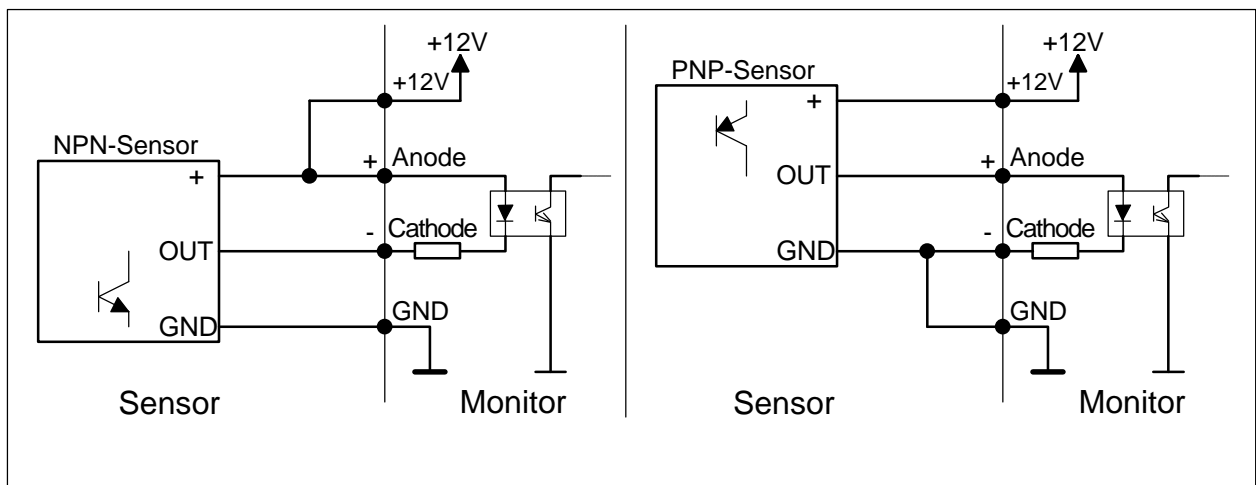
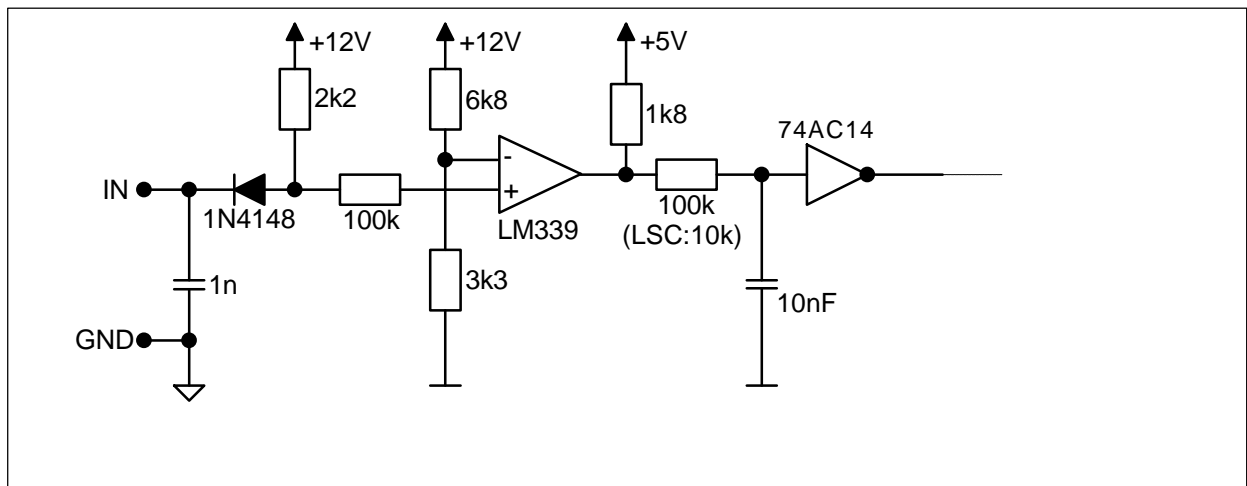
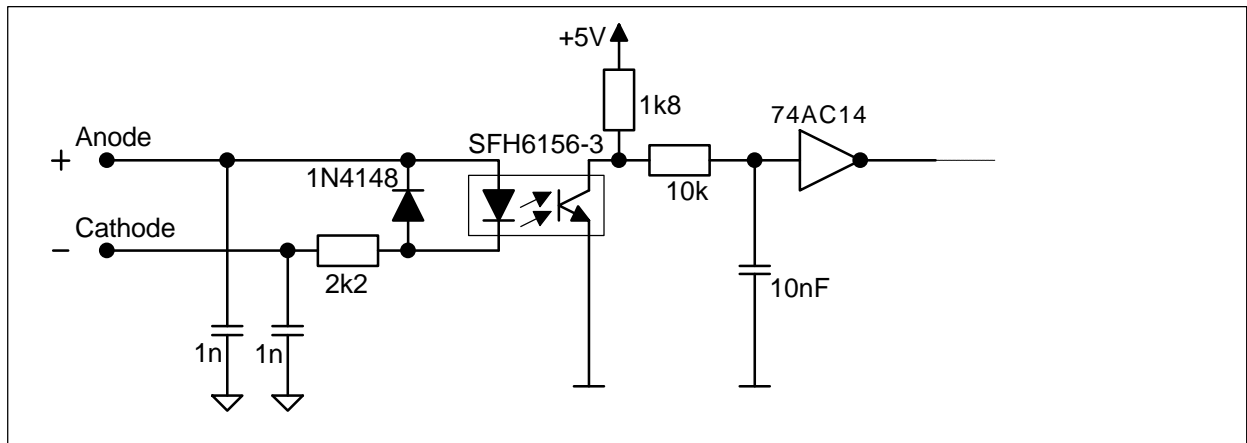
## Connection box



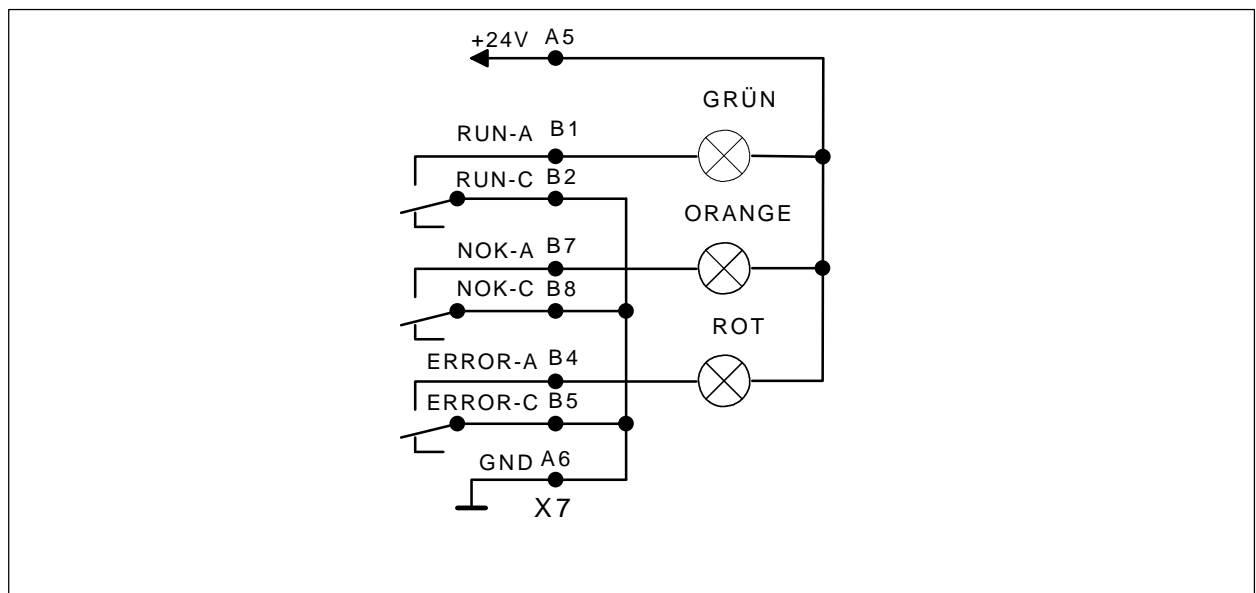
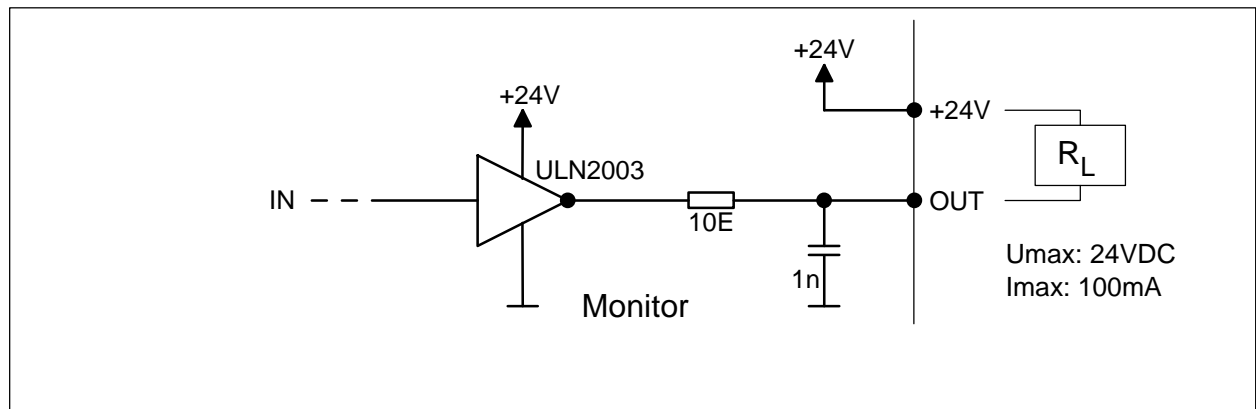
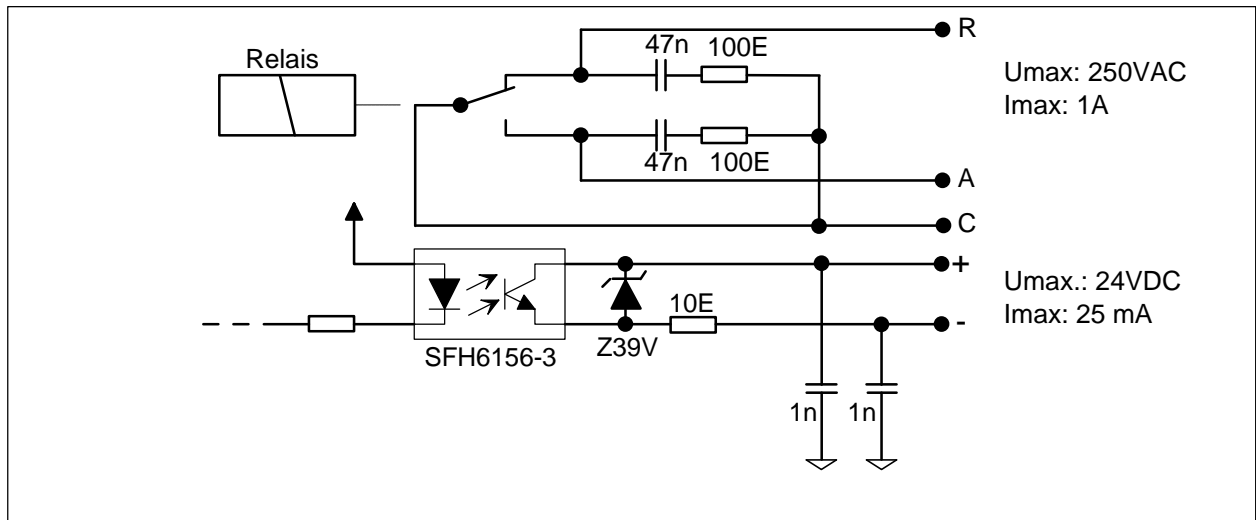
# Traction unit C8600



# Inputs

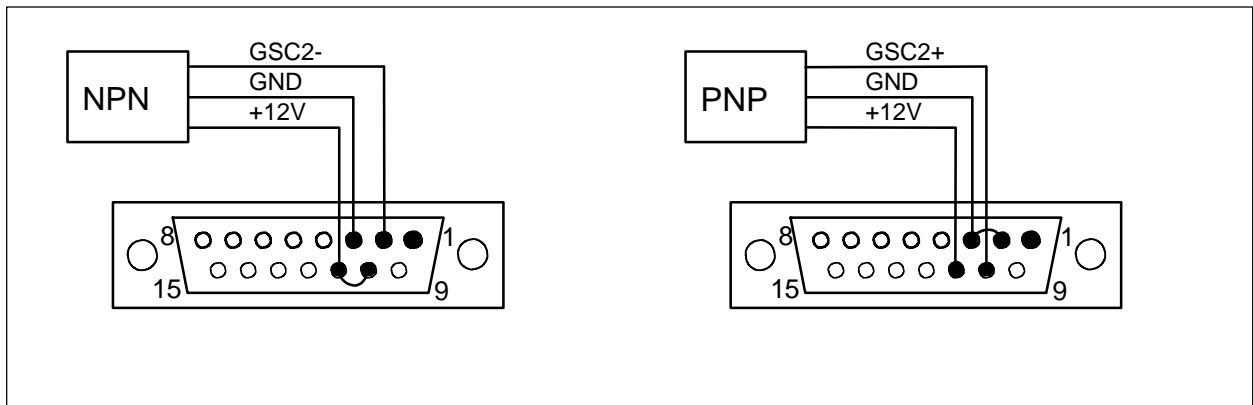
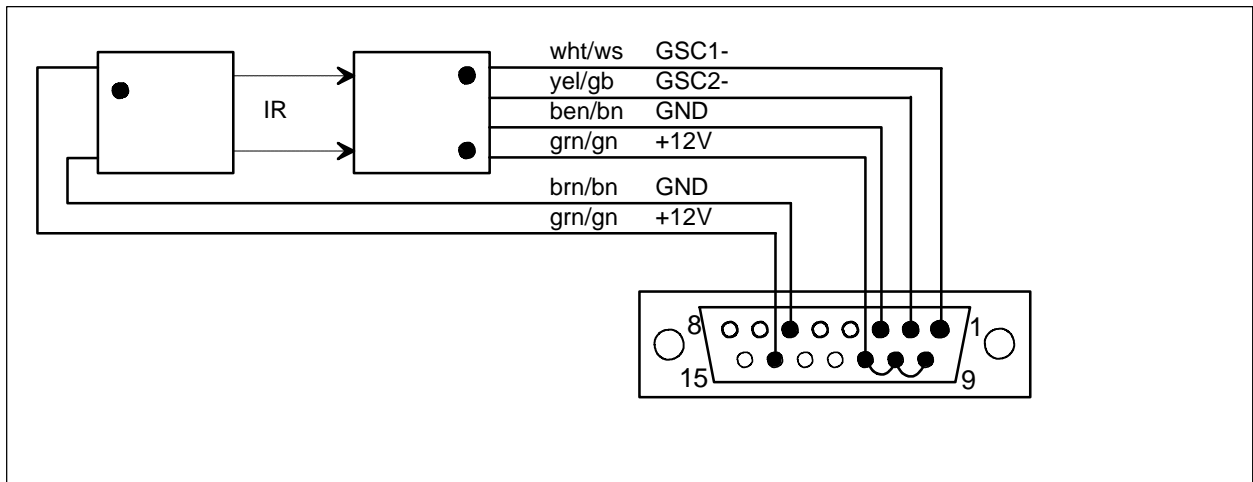


# Outputs

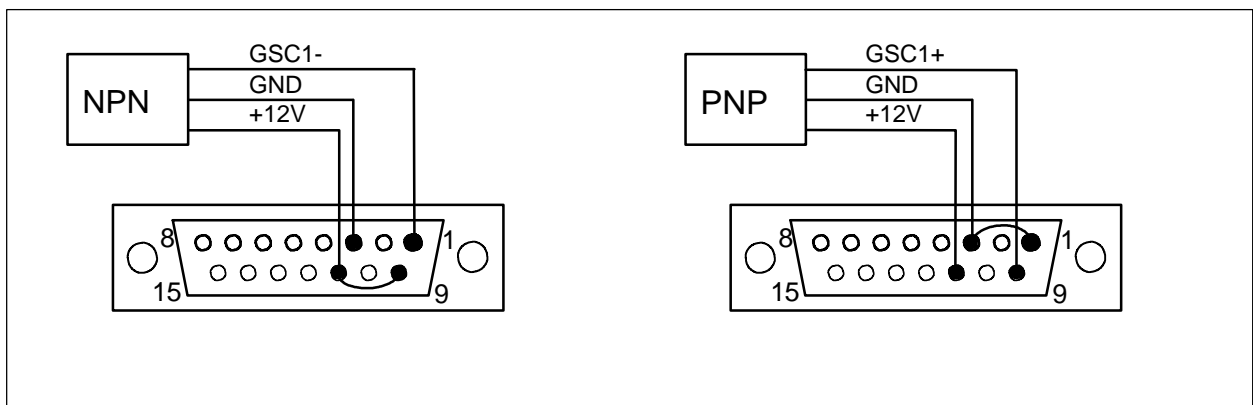




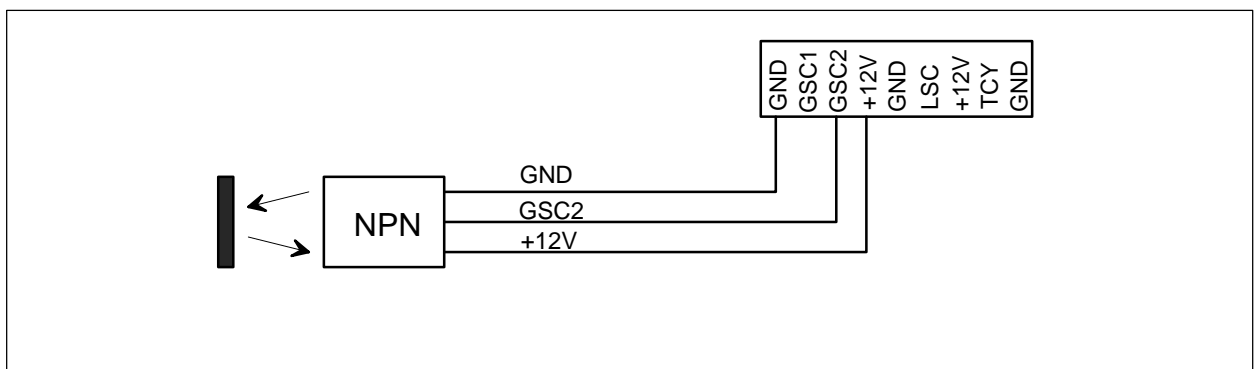
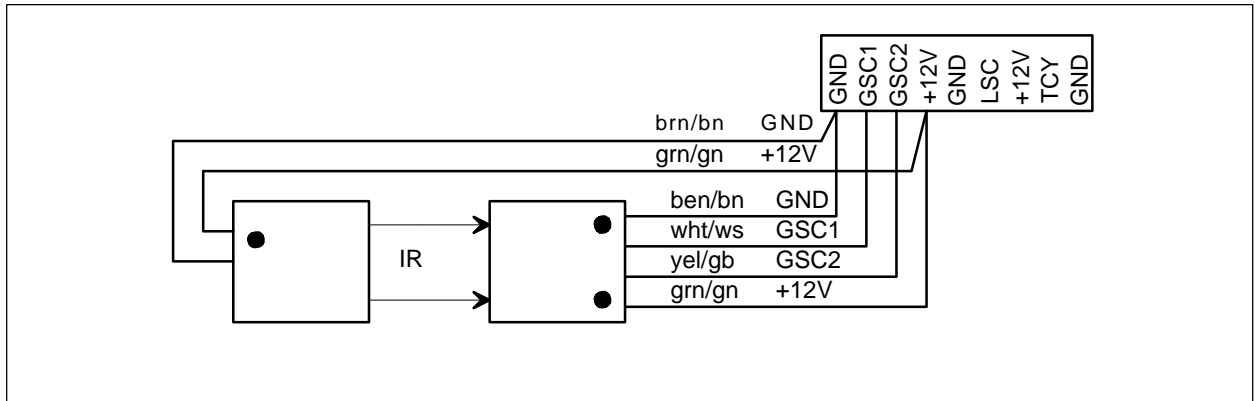
## Connection of the goods scanners to the C9100



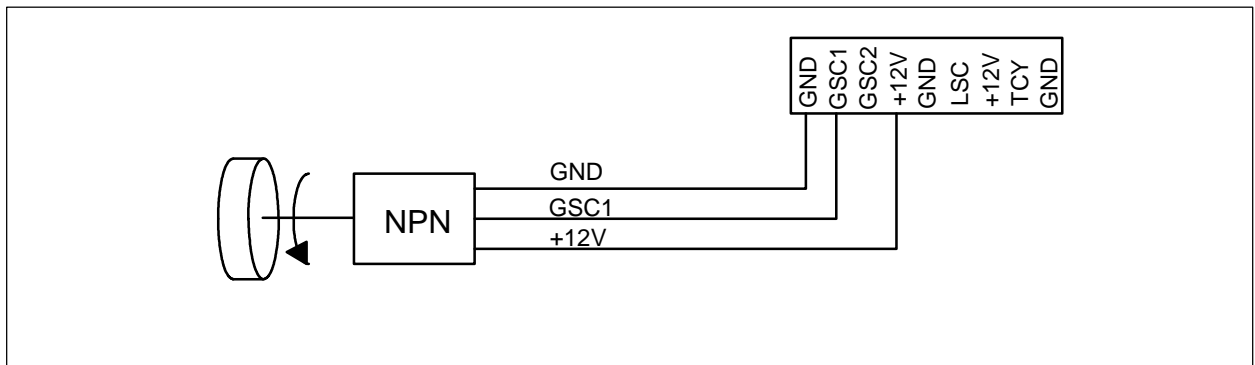
## Incremental encoder



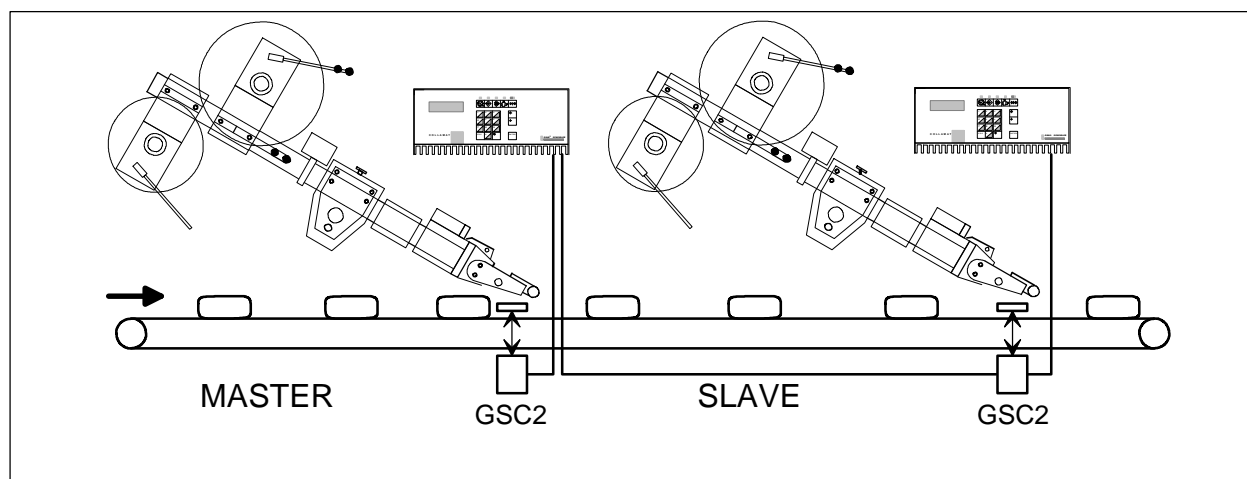
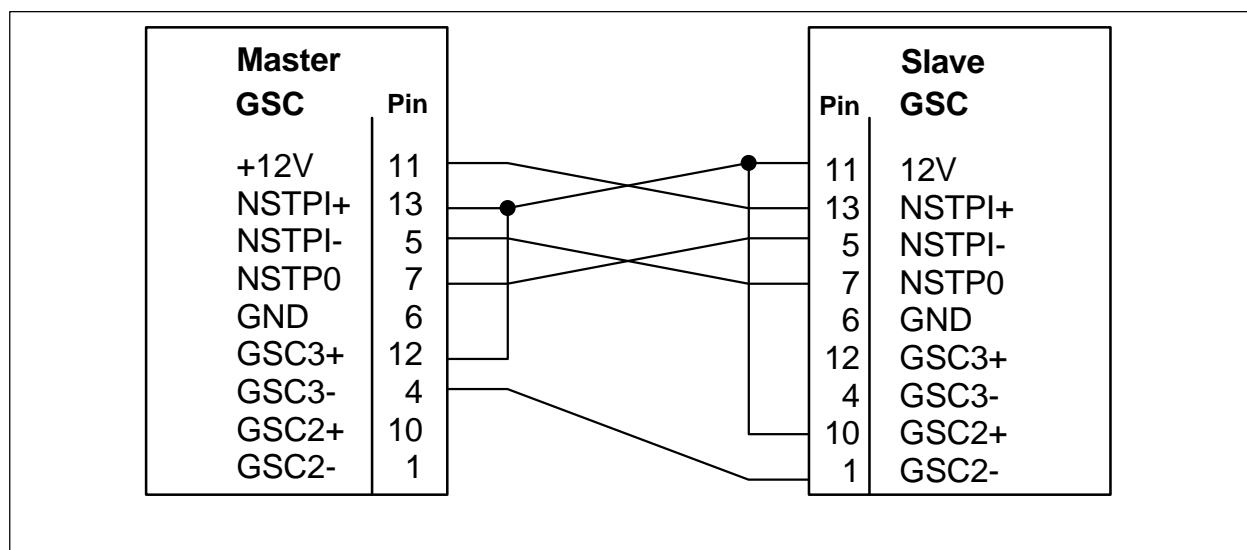
## Connection of the goods scanners to the C8600



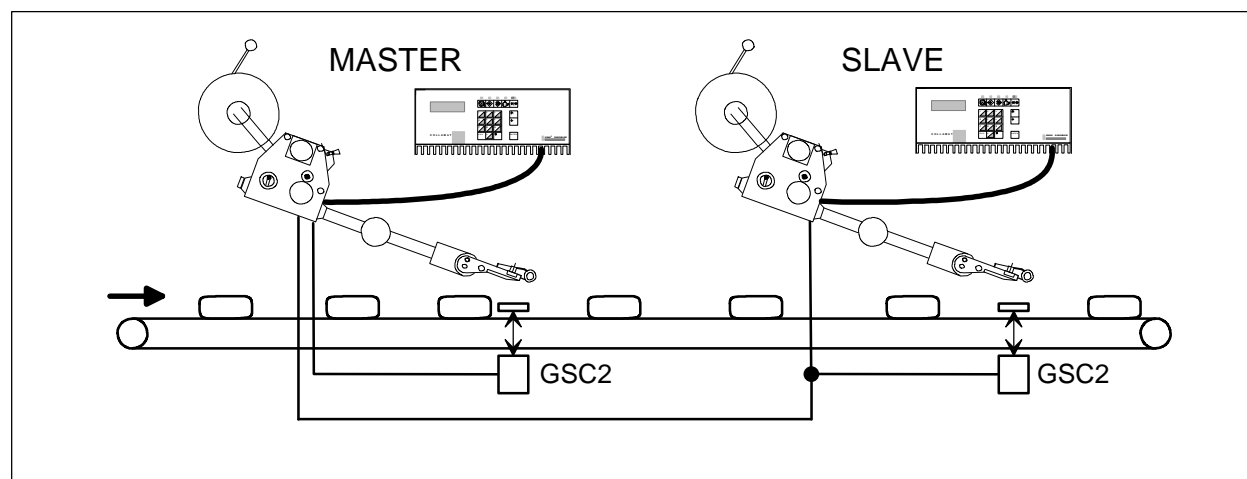
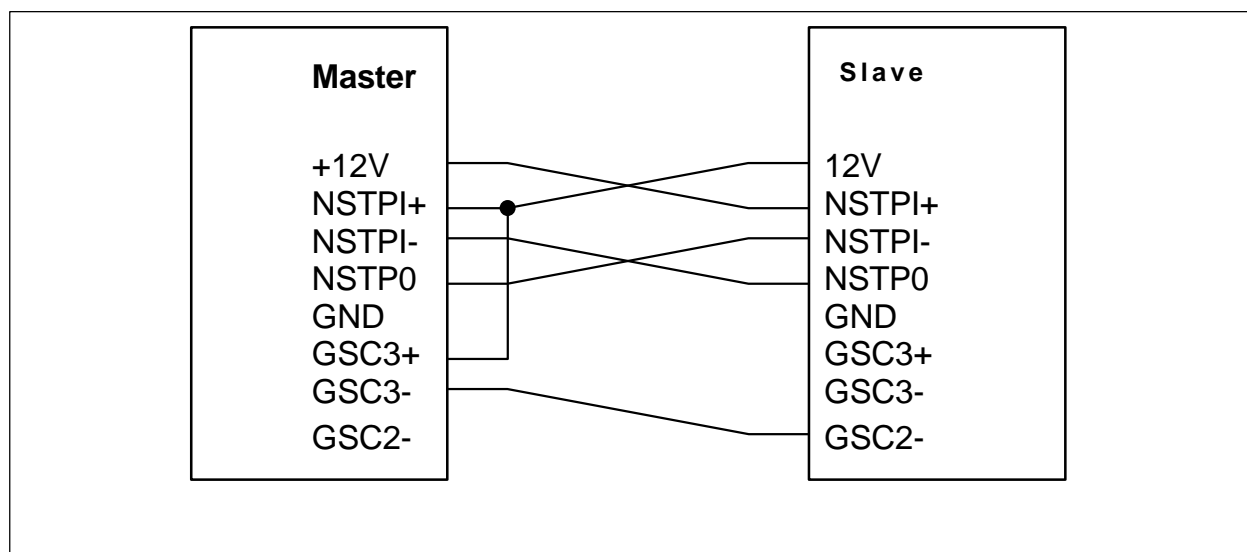
## Incremental encoder



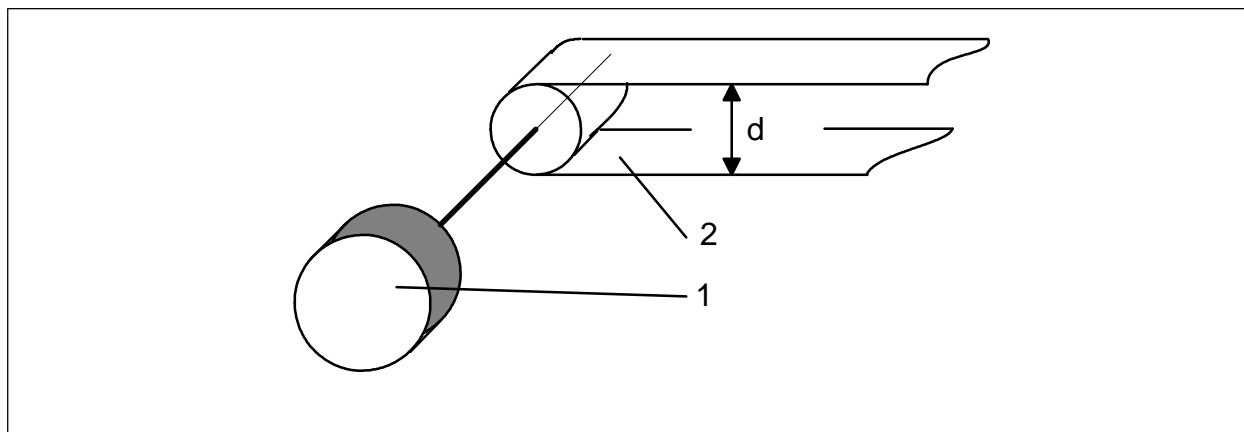
## Nonstop with C9100



## Nonstop with C8600



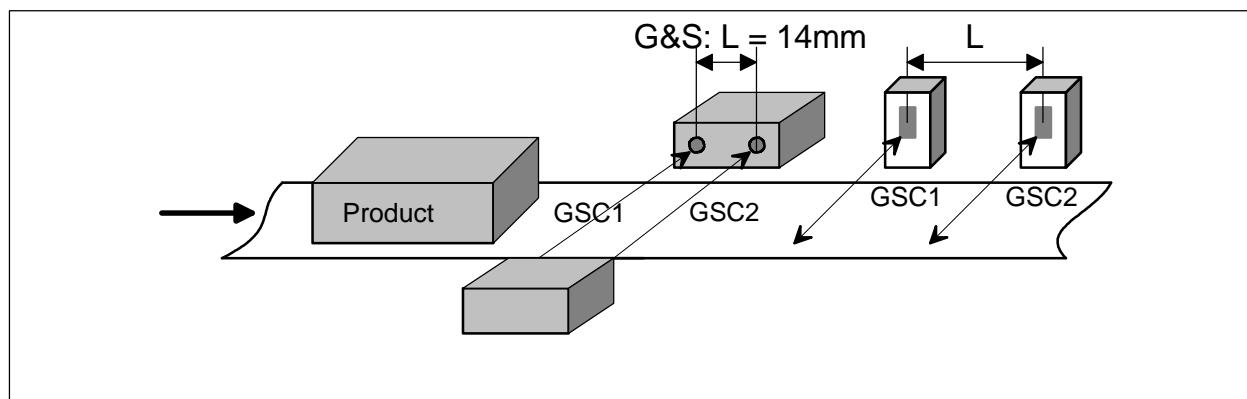
## Incremental encoder



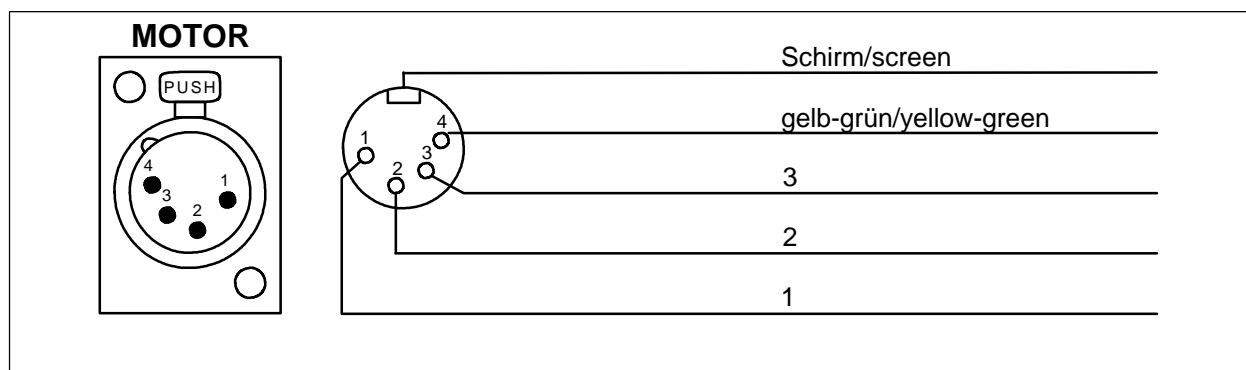
Example: Encoder gives 200 pulses per revolution. The distance d is 100 mm

$$\text{Step} = \frac{d * \text{Pi}}{\text{Pulse}} = \frac{314\text{mm}}{200} = 1.57\text{mm}$$

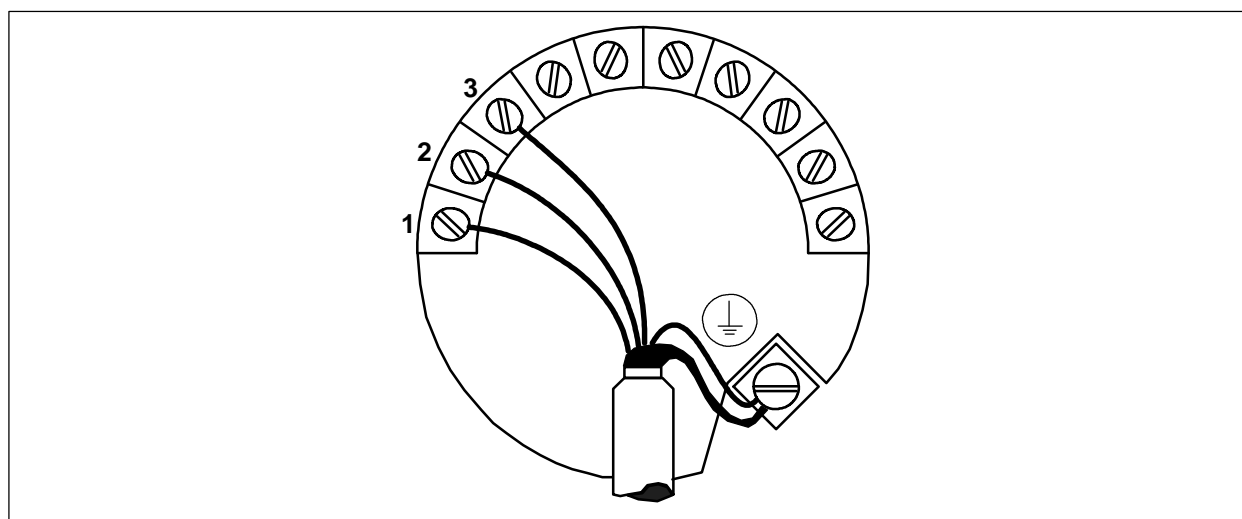
## Measuring goods scanner



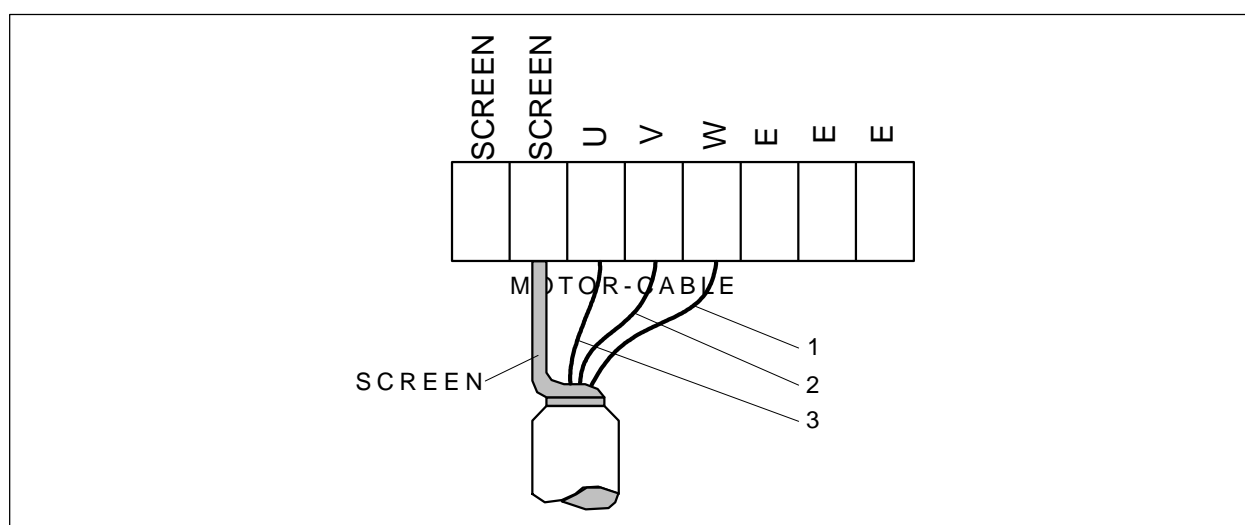
## Motor and Motorcable



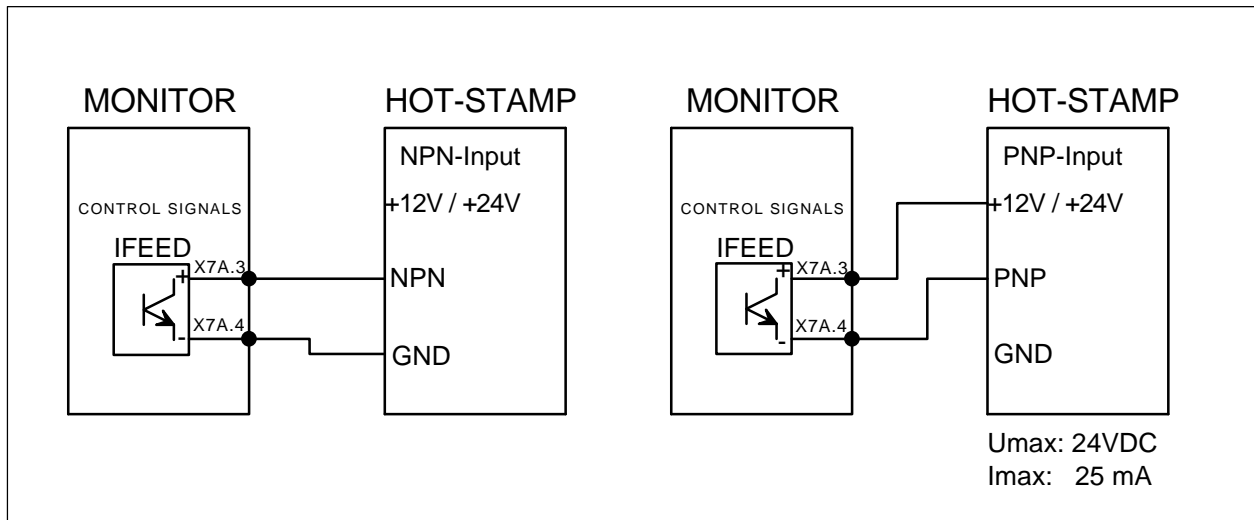
## Connection to the C9100 motor



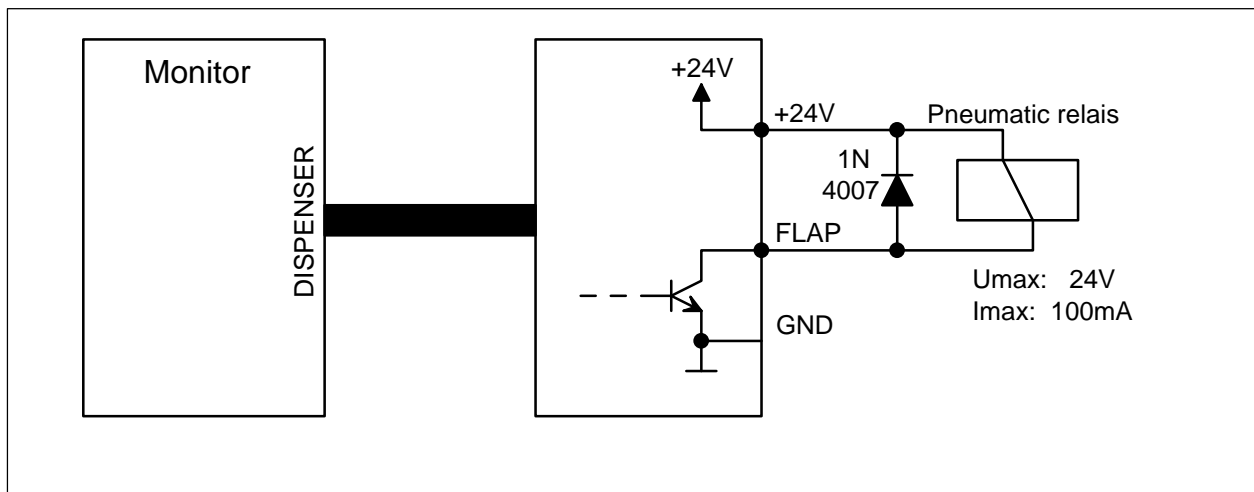
## Connection to the C8600 traction unit



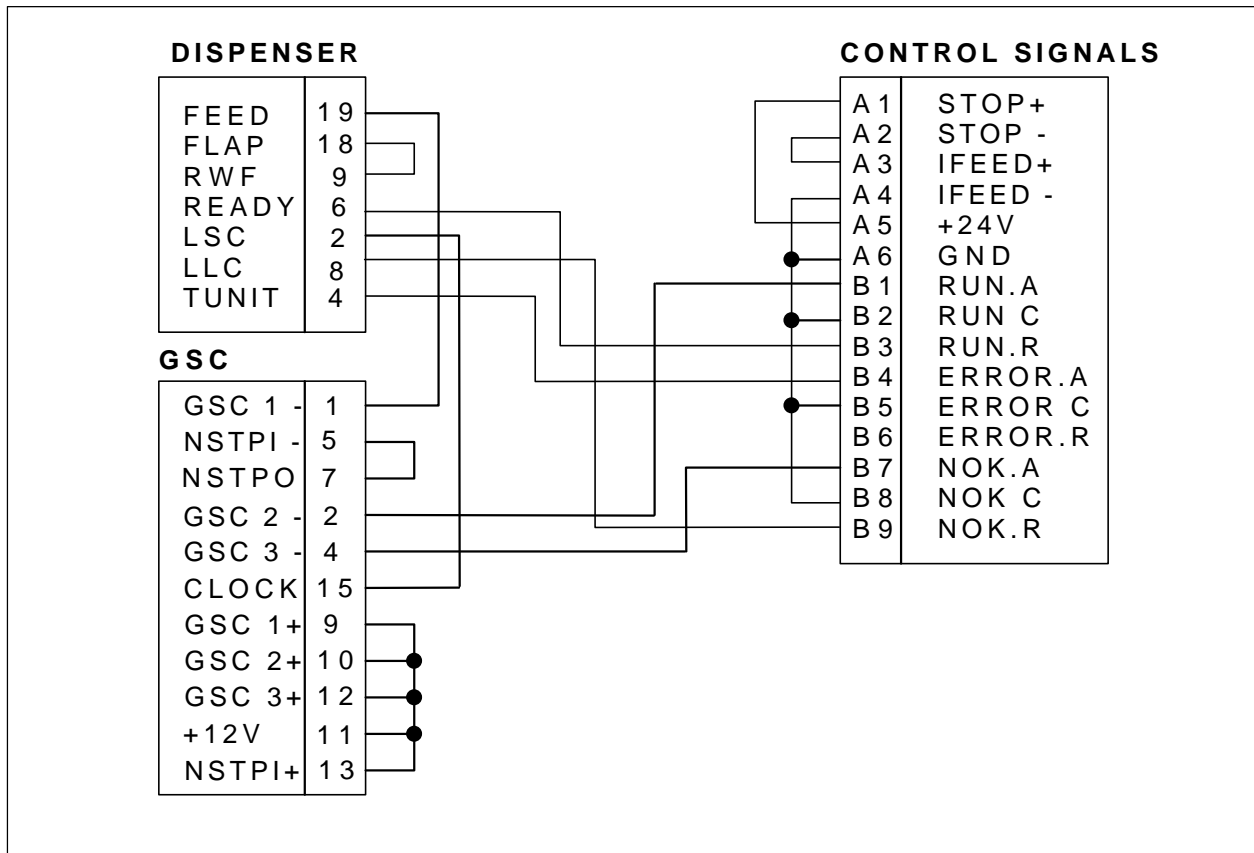
## Connection of a Hotstamp



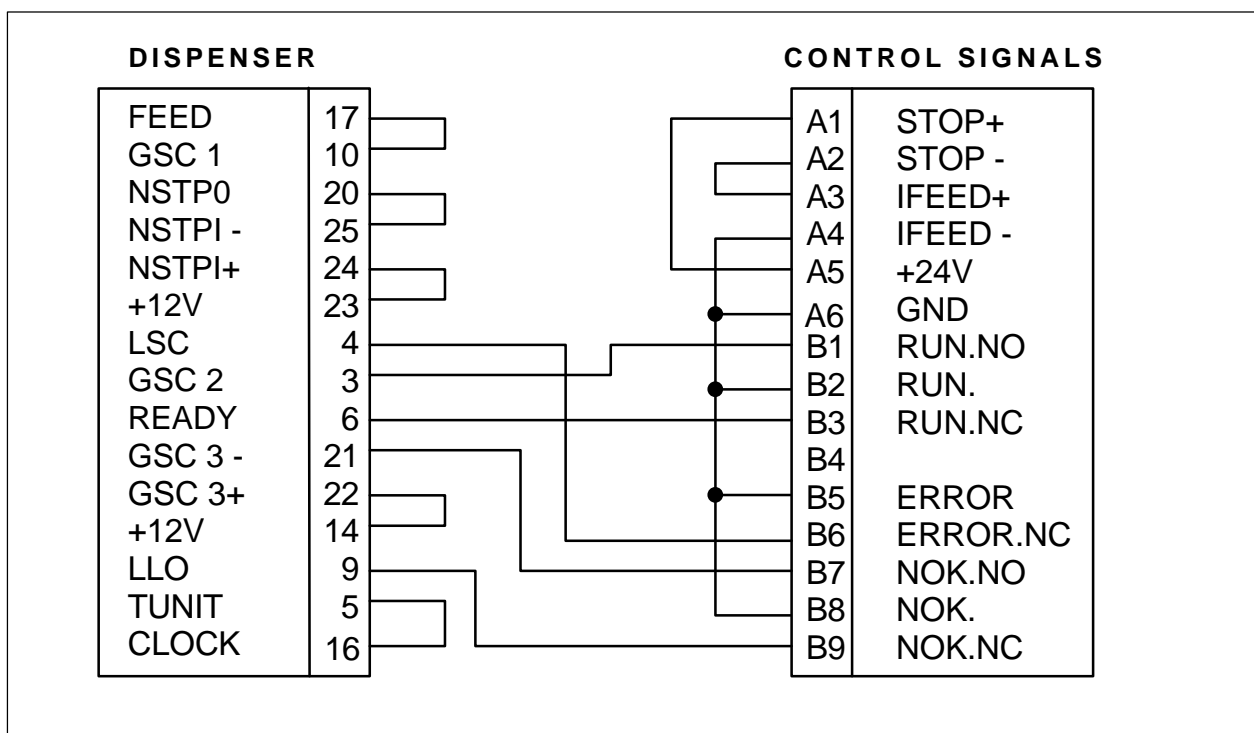
## Control of a magnet for the flapadapter on C9100



## Diagnostic connector for C9100

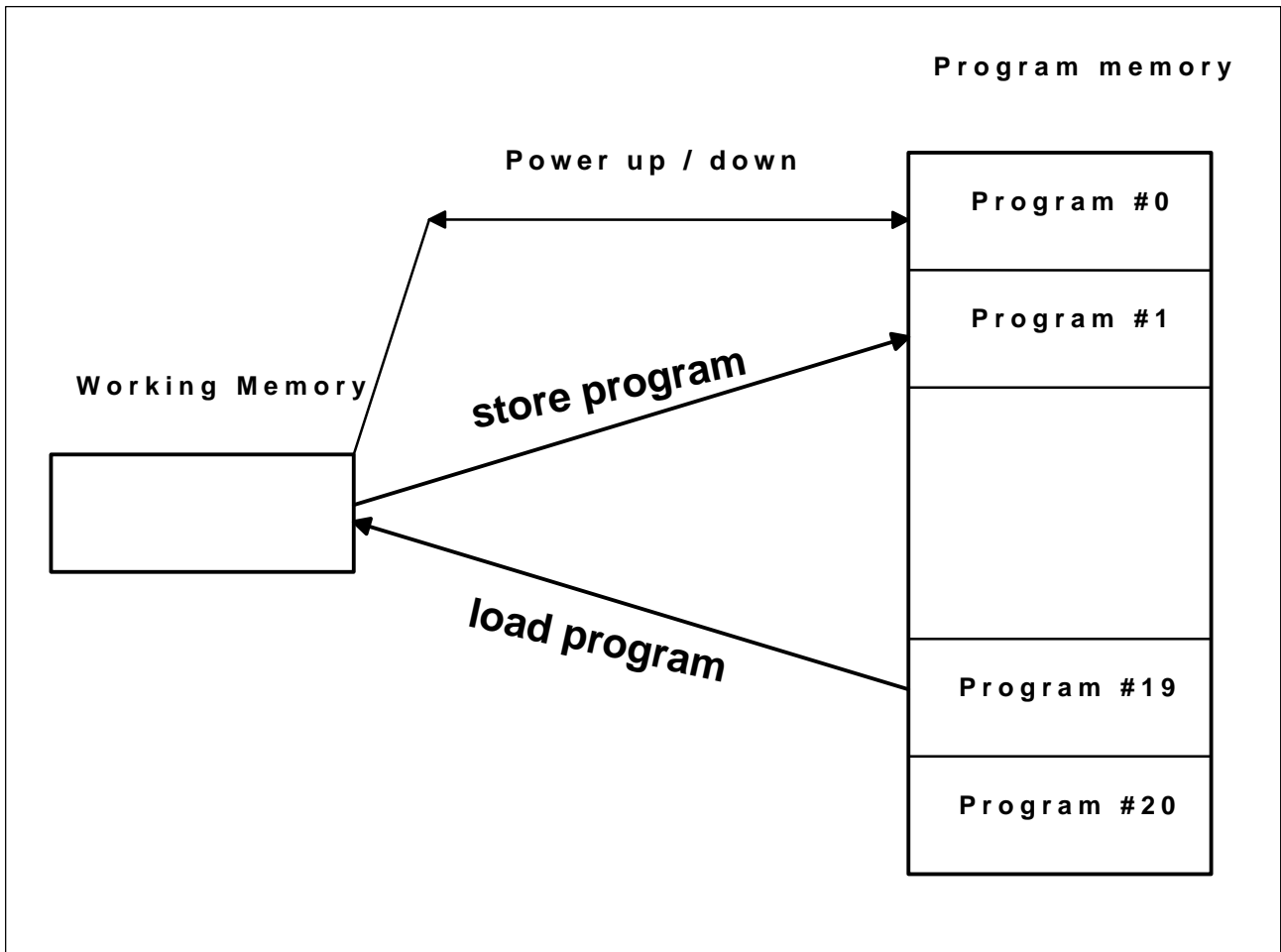


## Diagnostic connector for C8600





# Program Memory



## Your opinion about the training on Collamat C8600 and C9100

### 1. Presentation

- Excellent
- Good
- OK
- Not good

### 2. Contents

- Correct
- Too much
- Too few

### 3. Practical training

- Too difficult
- Just OK
- Too simple

### 4. What should be added or released ?

---

---

---

### 5. What do you think about the new Collamat C8600 / C9100 ?

---

---

---

---

---