

Wrap-around labeling

Why should
precision be a
matter of price?



Wrap-around labeling

The 152C ensures precise, cost-efficient labeling

This machine is a bestseller: It focuses on the essentials, provides an extraordinary performance, and is quickly amortized. This is ensured by a high-performance applicator and a maintenance-friendly solution featuring a wrap-around belt and a counterpressure plate. If precision is required for especially tricky products, optional roller prism technology can be employed.



Best results

By choosing the new HERMA 500, you can expect top performance in every aspect. Highlights of this technological flagship include a touchscreen with an innovative menu navigation and state-of-the-art interfaces.



Featuring a wrap-around belt and a counterpressure plate, the machine is suitable for a very wide range of cylindrical products.

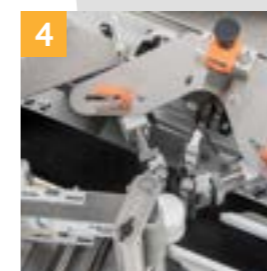


The 152C saves precious time. Most settings can be adjusted without tools.



Useful options

Spiral misalignment is practically eliminated through the use of a roller prism. Even labeling in orientation is not a problem.



Printing units like hot-foil or thermal transfer printers can be easily integrated.

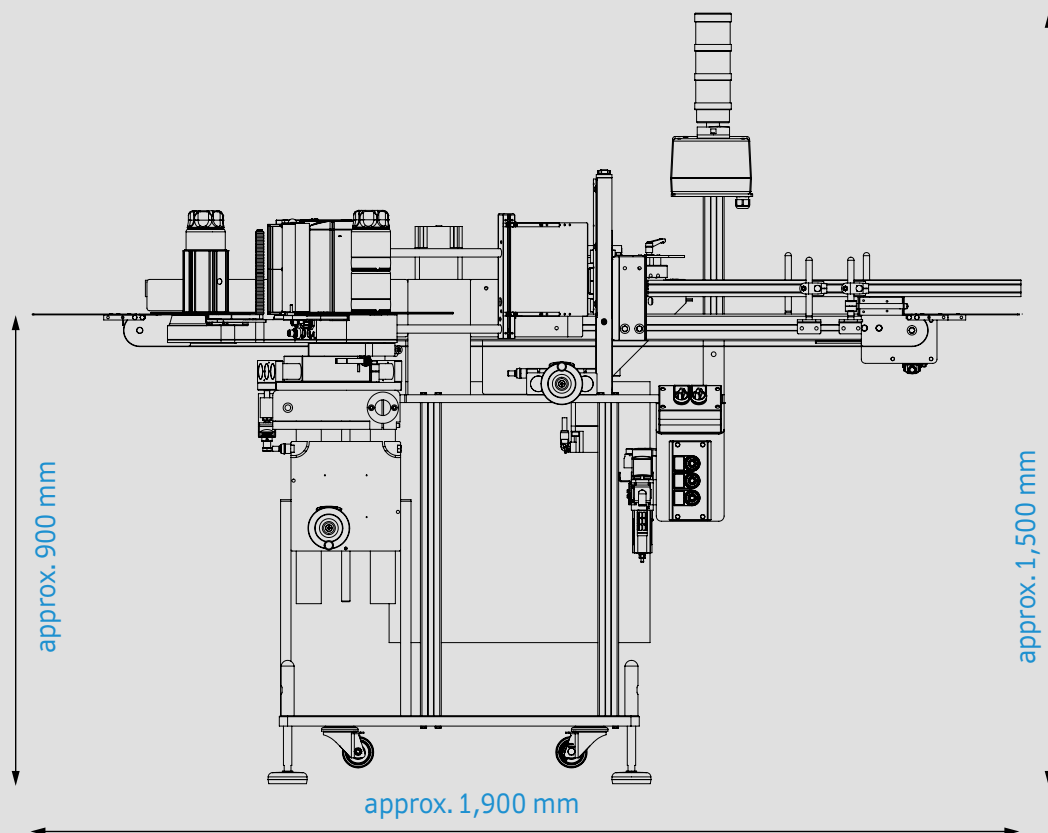


The 152C masters various mounting conditions and production environments. The conveyor belt is available with a width of 100 or 150 mm, at a length of 1,540 mm.



Technical data

Labeling type:	Wrap-around labeling
Product specifications:	Cylindrical and free-standing
Product dimensions:	Wrap-around labeling with belt: 30 - 150 x 30 - 250 mm (D x H) Wrap-around labeling with roller prism: 20 - 100 x 30 - 250 mm (D x H)
Label dimensions:	15 - 240 x 30 - 315 mm (W x L)
Capacity:	With wrap-around belt up to 200 products/minute With roller prism up to 75 products/minute
Power supply:	230 V, 50 Hz, 1 phase 110 V, 60 Hz, 1 phase (optional)
Compressed air supply:	6 bar
Printer:	Various hot-foil printers and thermal transfer printers (optional)
Components:	Conveyor belt, side guides for products, roller-type separator, applicator, wrap-around belt with counterpressure plate
Optional features:	Transfer plates at infeed and outfeed, movable version, digital position indicators, roller prism with wrap-around roller, aligned wrap-around labeling, outfeed jam check, signal column
Note:	If optional features are chosen, the above data may vary



152C in video

HERMA GmbH
Labeling Machines Division
Heinrich-Hermann-Straße 14
70794 Filderstadt

Tel. +49 (0) 711 / 7702-6012
www.herma.com/machines
machines@herma.com