



HERMA GmbH
Fabrikstraße 15
70794 Filderstadt / Germany
+49 (0)711 7702-551

machine designation	applicator
drawing number	829090
type	HERMA 500
variant	IO
variant code	GE: 250
language	EN
max. pre-fuse	16 A
supply	100-240V AC / 400W / 50-60Hz
control voltage	24 VDC

	Date	03.08.2018
	Ed.	vap
Modification	Date	Name
	Appr	

HERMA
HERMA GmbH
Fabrikstraße 15
70794 Filderstadt / Germany

HERMA
applicator

829090

EN

= A1
+ D

title page/cover sheet

version management

version	Date	Initials	changes	pages
0.1	03.08.2018	vap	wiring diagram created	
1.0	27.11.2018	vap	valid from 01.12.2018	

1

3

Date	03.08.2018		
Ed.	vap		
Modification	Date	Name	Appr

 **HERMA**
 HERMA GmbH
 Fabrikstraße 15
 70794 Filderstadt / Germany

HERMA applicator

829090 EN

= A1
+ D

version management

Important Information

attention:

HERMA is excluded from liability for modifications to the labelling equipment and/or labelling system made by the customer or a third party. A different provision applies if the modifications were made with HERMA's advance written consent.

Any significant or safety-relevant modification of the product terminates the EC declaration of conformity. As a result, the customer or operator is obligated to have a new risk analysis performed. The customer or operator is explicitly responsible for this analysis. Compliance with applicable standards and regulations must always be ensured.

mains supply

Our labelling system/applicator is designed for connection to and operation on a TN-C-S electrical system. Appropriate technical measures must be taken before use on other types of electrical system.

For a TT system: For a TT system, the earthing/electrical bonding must be installed according to the applicable national regulations.

For an IT system: For an IT system, appropriate safety measures must be taken and the electrical bonding must be installed according to the applicable national regulations

drawing code	
+ D	table of contents
+ E	applicator
+ STL	bill of materials

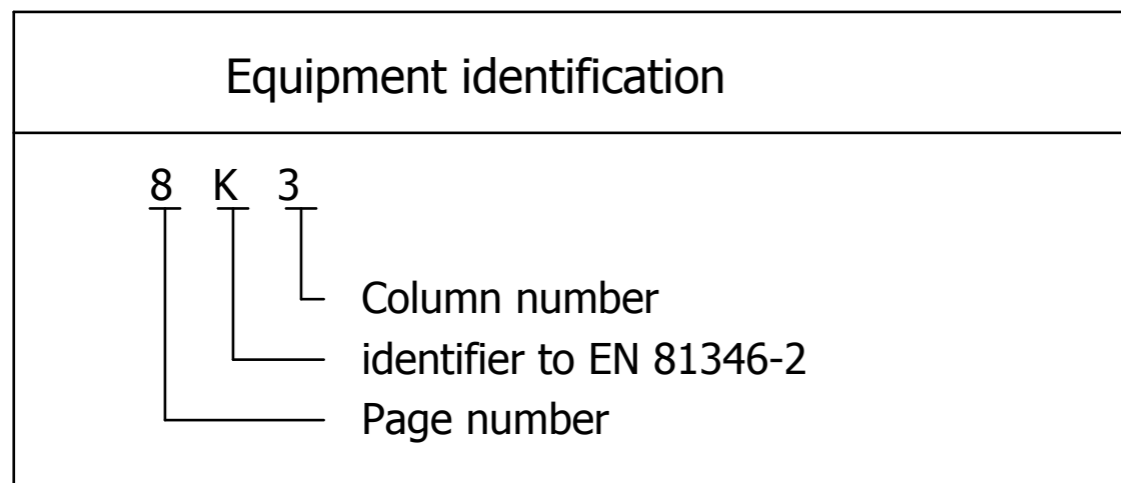


table of contents

HermaInhaltsverzeichnis

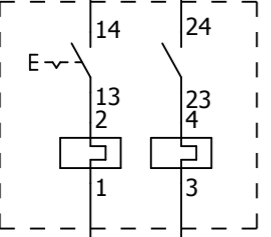
machine	Mounting location	page	Page description	supplementary page field	Date	editor
A1	D	1	title page/cover sheet		28.11.2018	vap
	D	2	version management		28.11.2018	vap
	D	3	leaflet		28.11.2018	vap
	D	4	table of contents : =A1+D/1 - =A1+STL/2		28.11.2018	vap
	E1	1	applicator		28.11.2018	vap
	E1	2	applicator		28.11.2018	vap
	E1	3	applicator		28.11.2018	vap
	E1	3.1	applicator		28.11.2018	vap
	E1	3.2	applicator		28.11.2018	vap
	E1	4	applicator		28.11.2018	vap
	E1	4.1	applicator		28.11.2018	vap
	E1	4.2	applicator		28.11.2018	vap
	E1	5	applicator		28.11.2018	vap
	E1	5.1	applicator		28.11.2018	vap
	E1	6	applicator		28.11.2018	vap
	STL	1	bill of materials		28.11.2018	vap
	STL	2	bill of materials		28.11.2018	vap

3

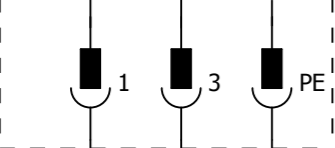
+E1/1



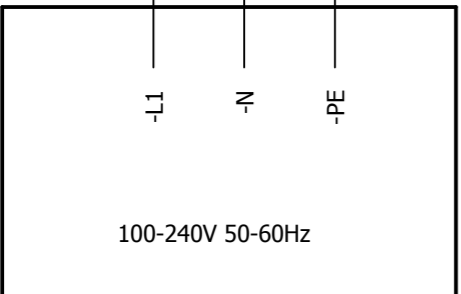
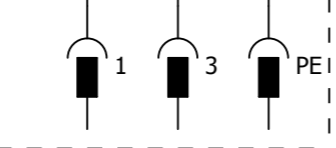
-1Q0
SCHURTER
TA35-CBDBL060C0-CZM23



-X2
HERMA
70040188



-X8
HERMA
70040196



100-240V 50-60Hz

mains of customer

option

Power Out

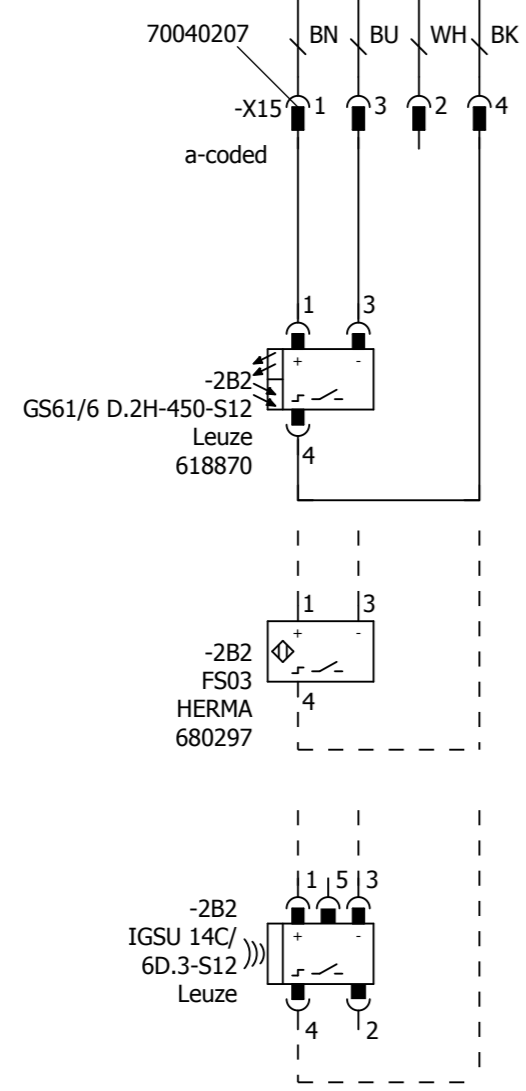
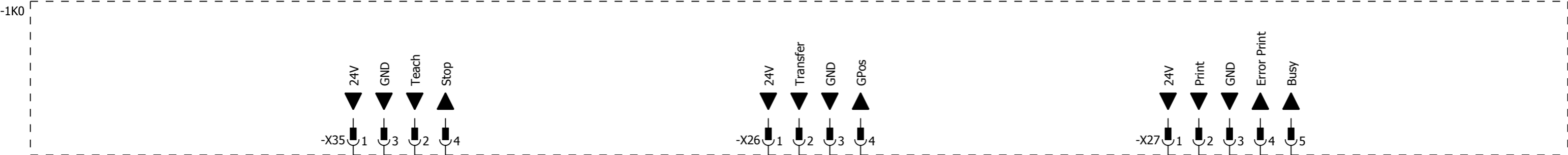
+D/4

Date	03.08.2018
Ed.	vap
Modification	Date
Name	Appr
sro	

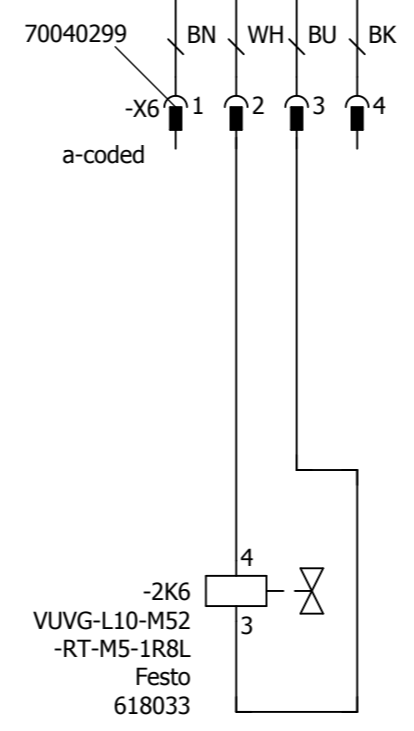
HERMA
HERMA GmbH
Fabrikstraße 15
70794 Filderstadt / Germany

HERMA
applicator

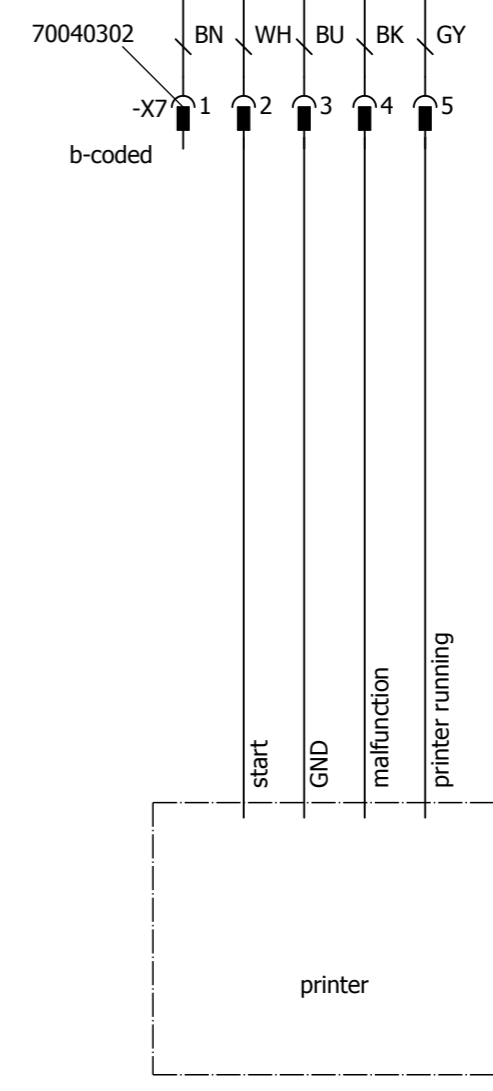
829090	EN	= A1
applicator		+ E1
	Page 1	
	total number	17



label sensor



option
transfer



option
print

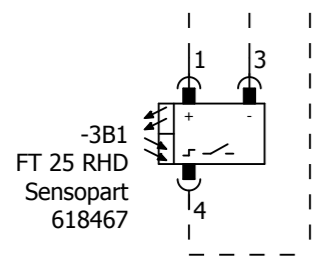
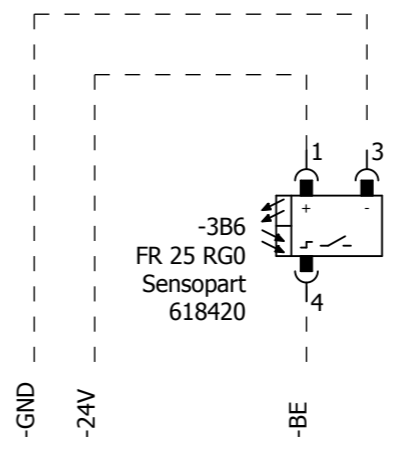
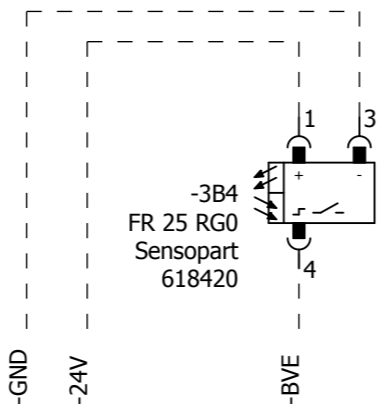
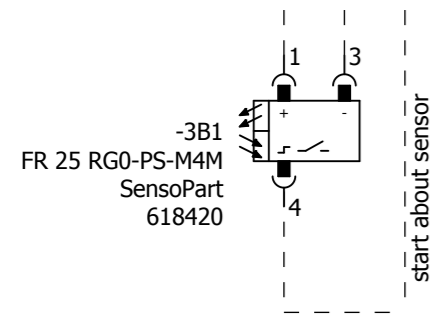
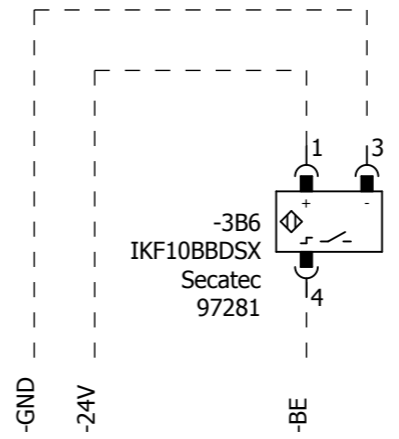
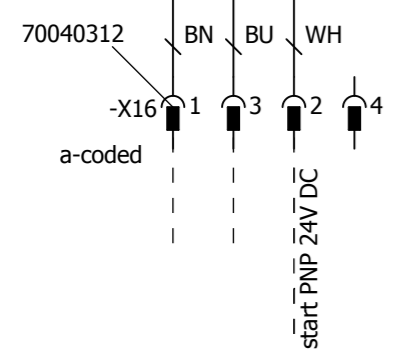
Date	03.08.2018
Ed.	vap
Modification	Date
Name	Appr
sro	

HERMA
HERMA GmbH
Fabrikstraße 15
70794 Filderstadt / Germany

HERMA
applicator

label sensor,
transfer, print

829090	EN	= A1 + E1
applicator	Page 2	total number 17



start

option
end of label reel
advance warning connection customer

option
end of
label reel connection customer

option
rewinder full
internal

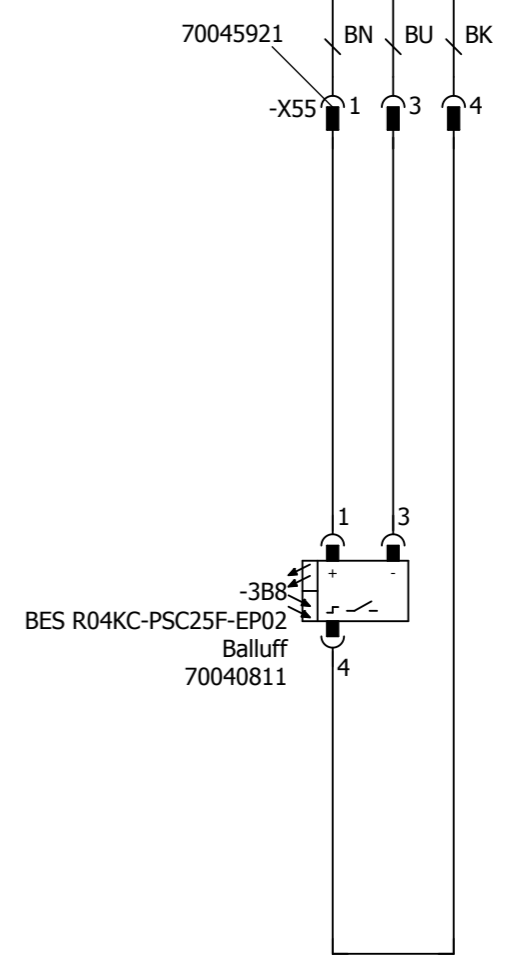
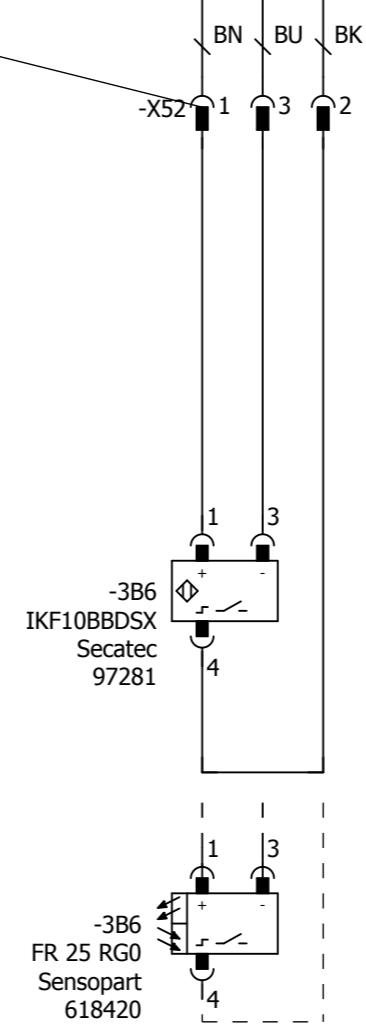
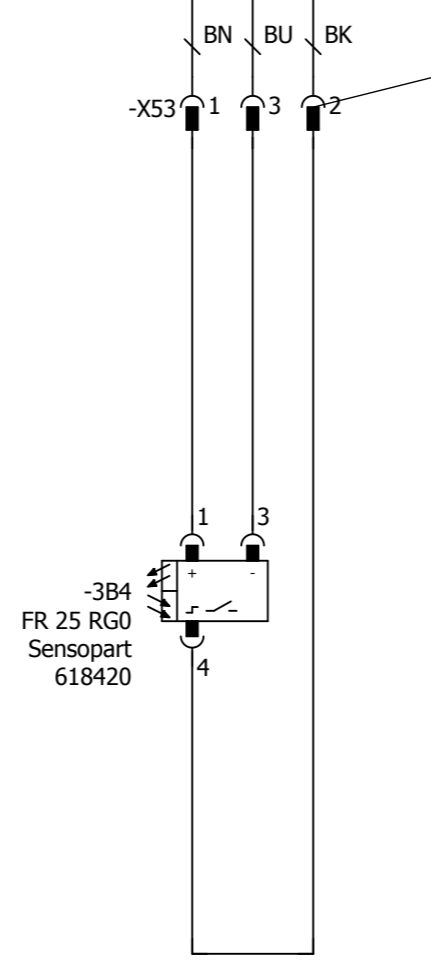
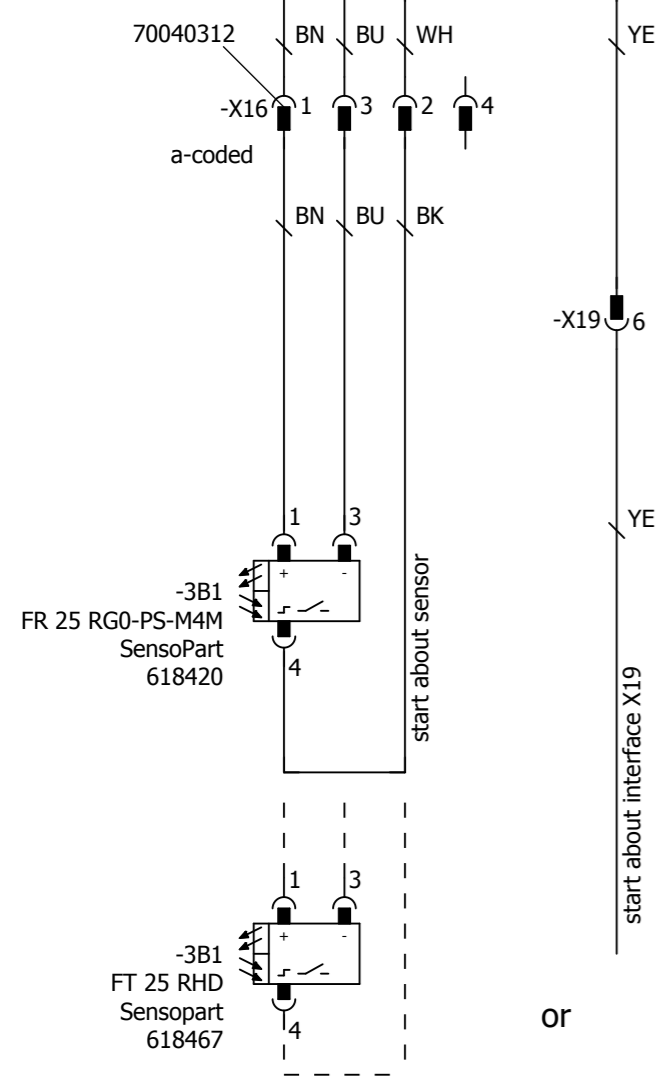
Date	03.08.2018			
Ed.	vap			
Modification	Date	Name	Appr	sro

HERMA
HERMA GmbH
Fabrikstraße 15
70794 Filderstadt / Germany

HERMA
applicator

end of label reel and end of label
reel advance warning connection customer

829090	EN	= A1 + E1
applicator	Page 3	total number 17



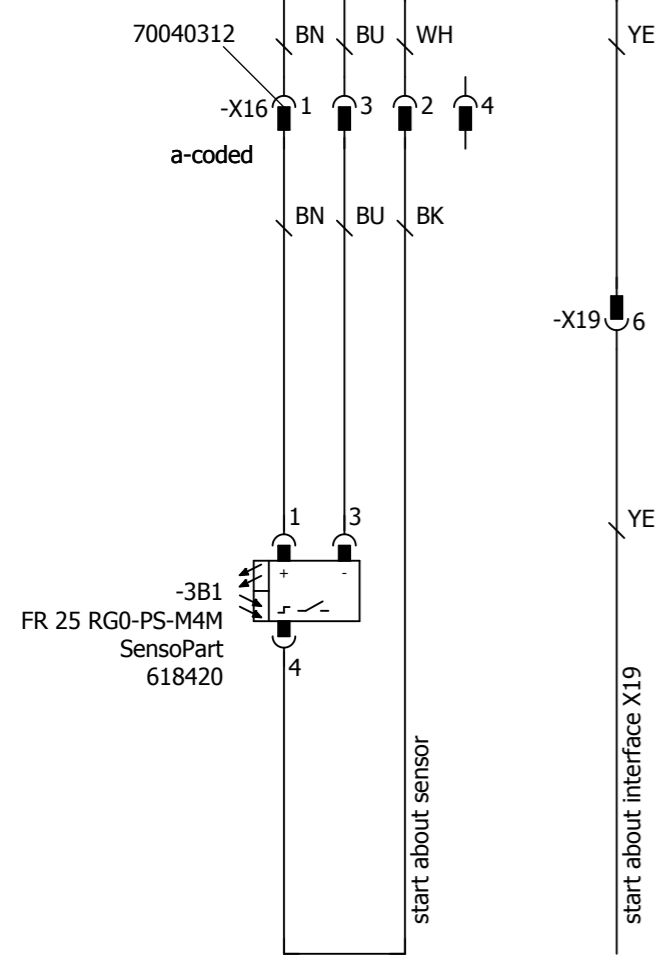
Date	03.08.2018			
Ed.	vap			
Modification	Date	Name	Appr	sro

HERMA
 HERMA GmbH
 Fabrikstraße 15
 70794 Filderstadt / Germany

HERMA
 applicator

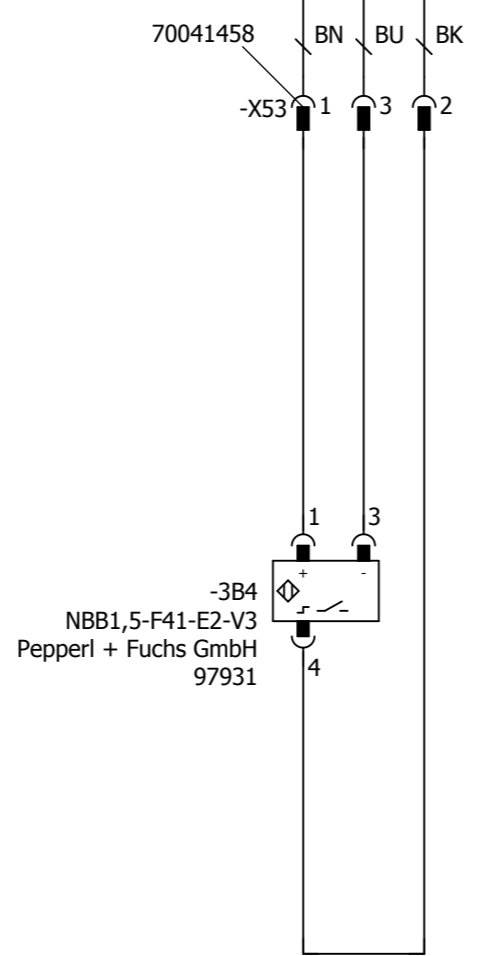
end of label reel and end of label
 reel advance warning external

829090	EN	= A1
applicator		+ E1
		Page 3.1
		total number 17

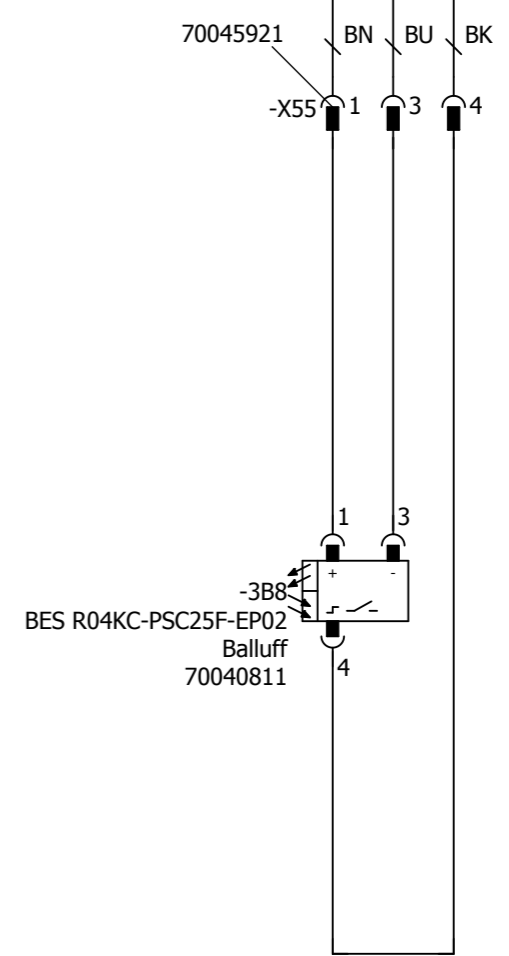


start

or



impulse counting
end of label reel
warning and end of label reel



option
rewinder full
internal

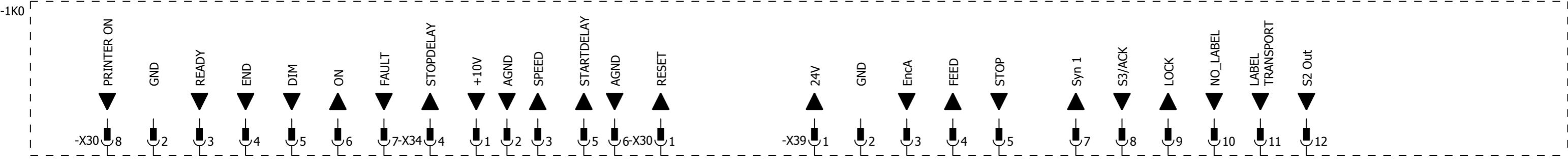
Date	03.08.2018			
Ed.	vap			
Modification	Date	Name	Appr	sro

HERMA
HERMA GmbH
Fabrikstraße 15
70794 Filderstadt / Germany

HERMA
applicator

end of label reel and end of label reel advance warning internal

829090	EN	= A1 + E1
applicator	Page 3.2	total number 17



I/O distributor 1

analogue inputs

I/O distributor 2

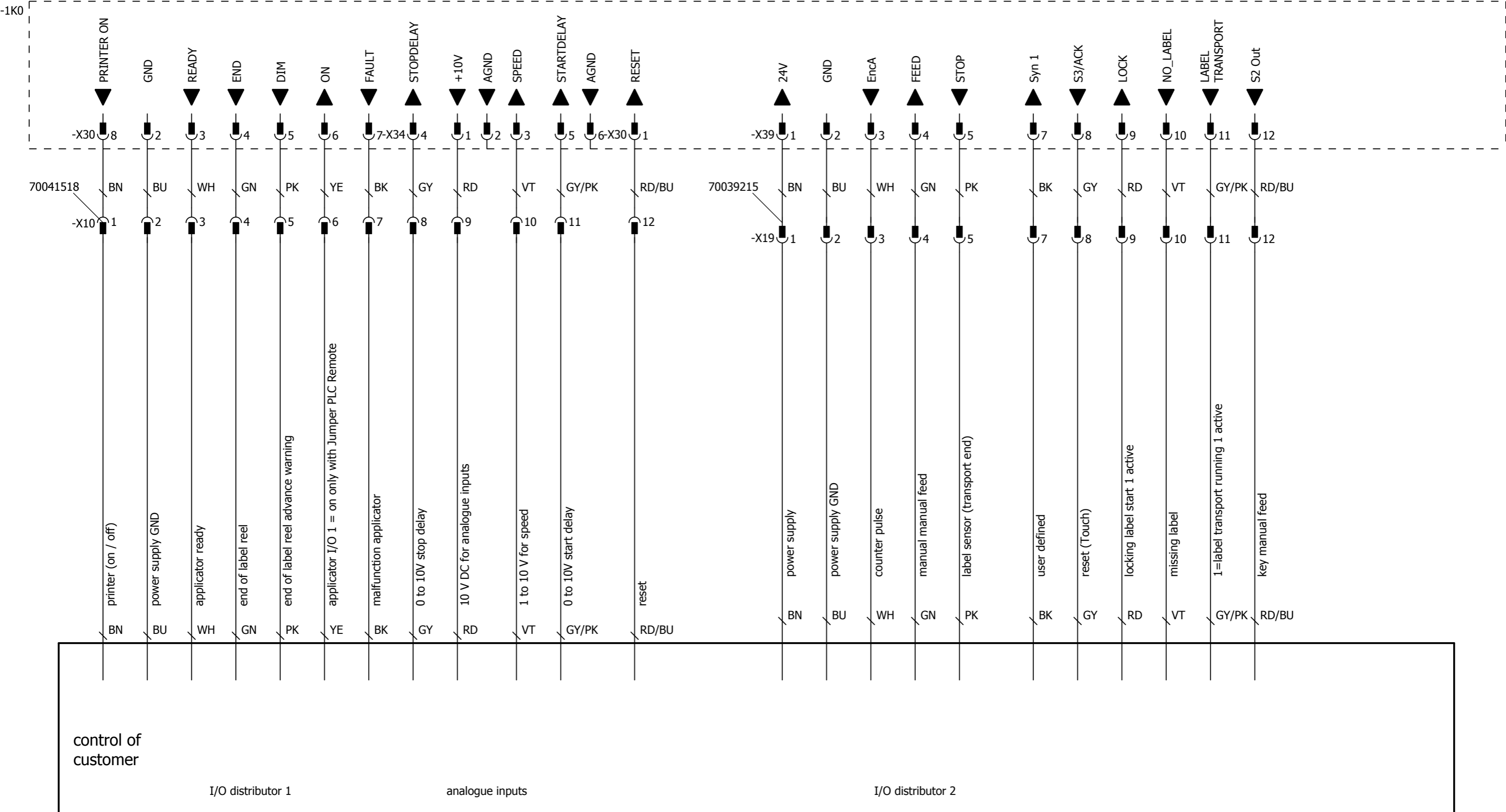
Date	03.08.2018
Ed.	vap
Modification	Date
Name	Appr
sro	

HERMA
 HERMA GmbH
 Fabrikstraße 15
 70794 Filderstadt / Germany

HERMA
 applicator

without interface

829090	EN	= A1
applicator		+ E1
		Page 4
		total number 17

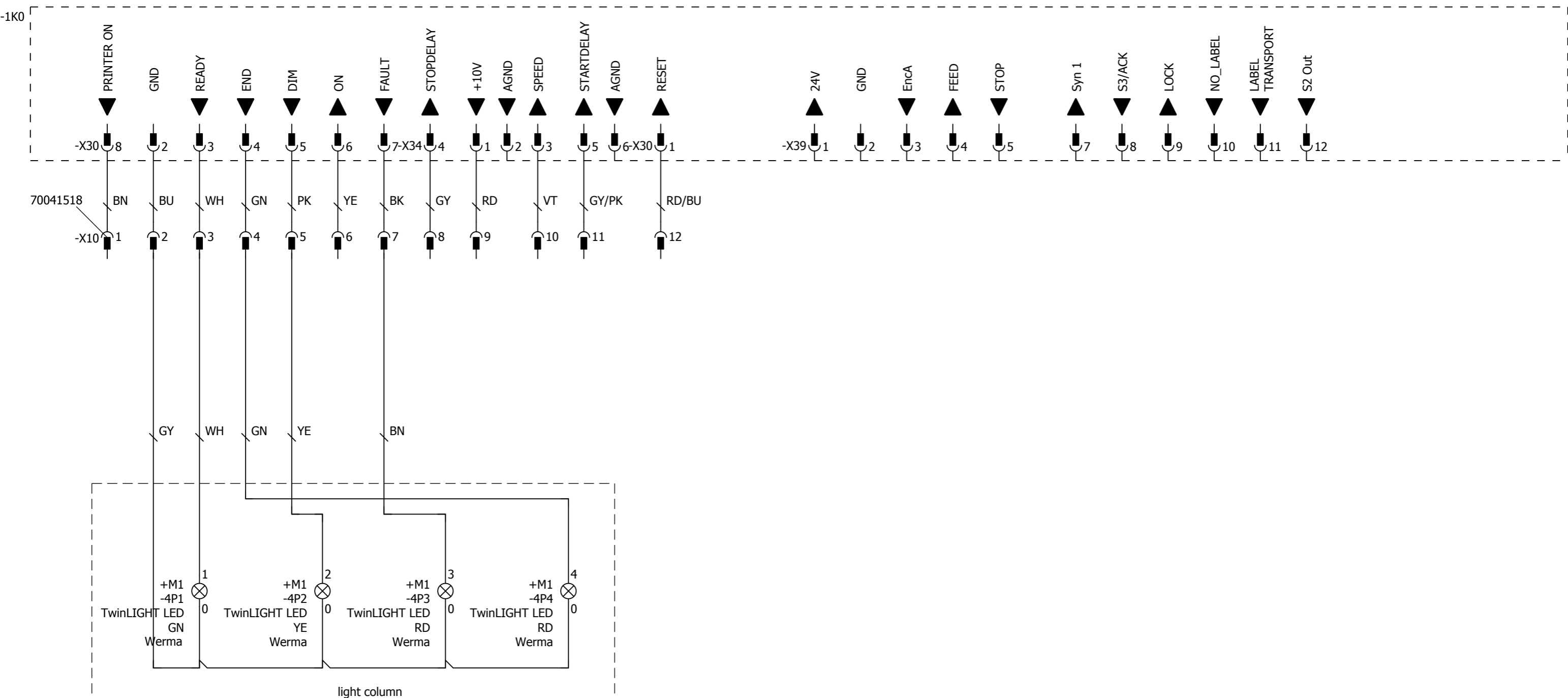


Date	03.08.2018
Ed.	vap
Modification	Date
Name	Appr
sro	

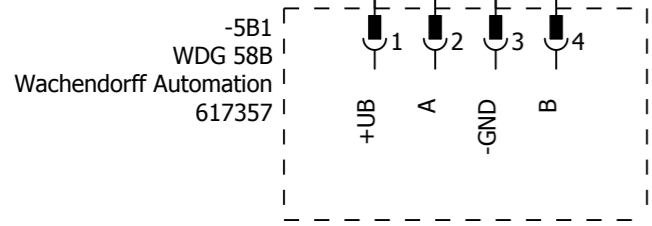
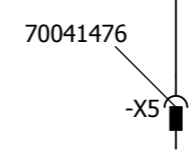
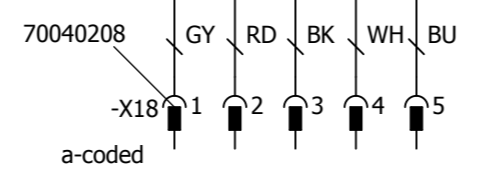
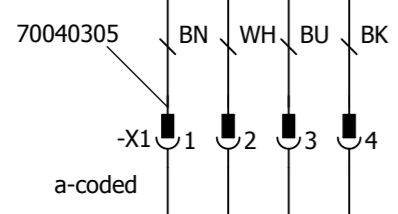
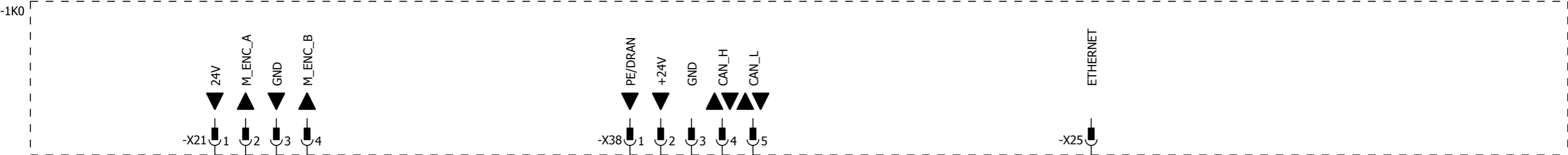
HERMA
 HERMA GmbH
 Fabrikstraße 15
 70794 Filderstadt / Germany

HERMA applicator with interface

829090 EN
 applicator
 = A1
 + E1
 Page 4.1
 total number 17



ready end of label reel advance warning malfunction end of label reel



option
master encoder

option
CAN BUS

Web - Service

Date	03.08.2018
Ed.	vap
Modification	Date
Name	Appr
	sro

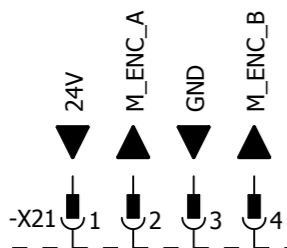
HERMA
HERMA GmbH
Fabrikstraße 15
70794 Filderstadt / Germany

HERMA
applicator

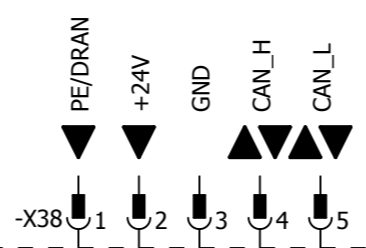
Masterencoder, CAN-Bus

829090	EN	= A1 + E1
applicator	Page 5	total number 17

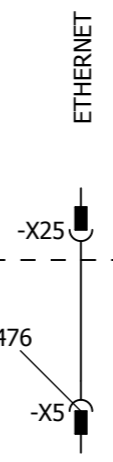
-1K0



option
master encoder



option
CAN BUS



Web - Service

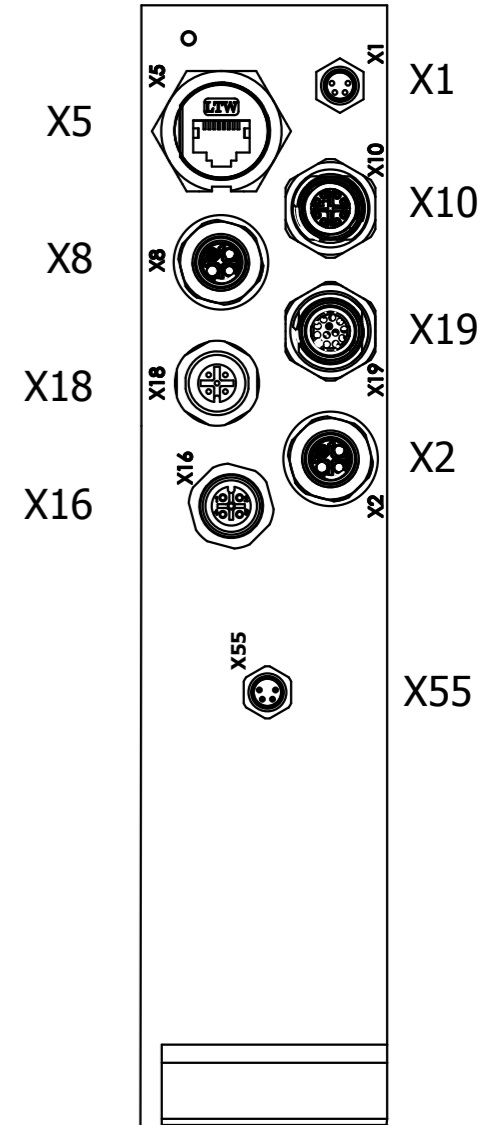
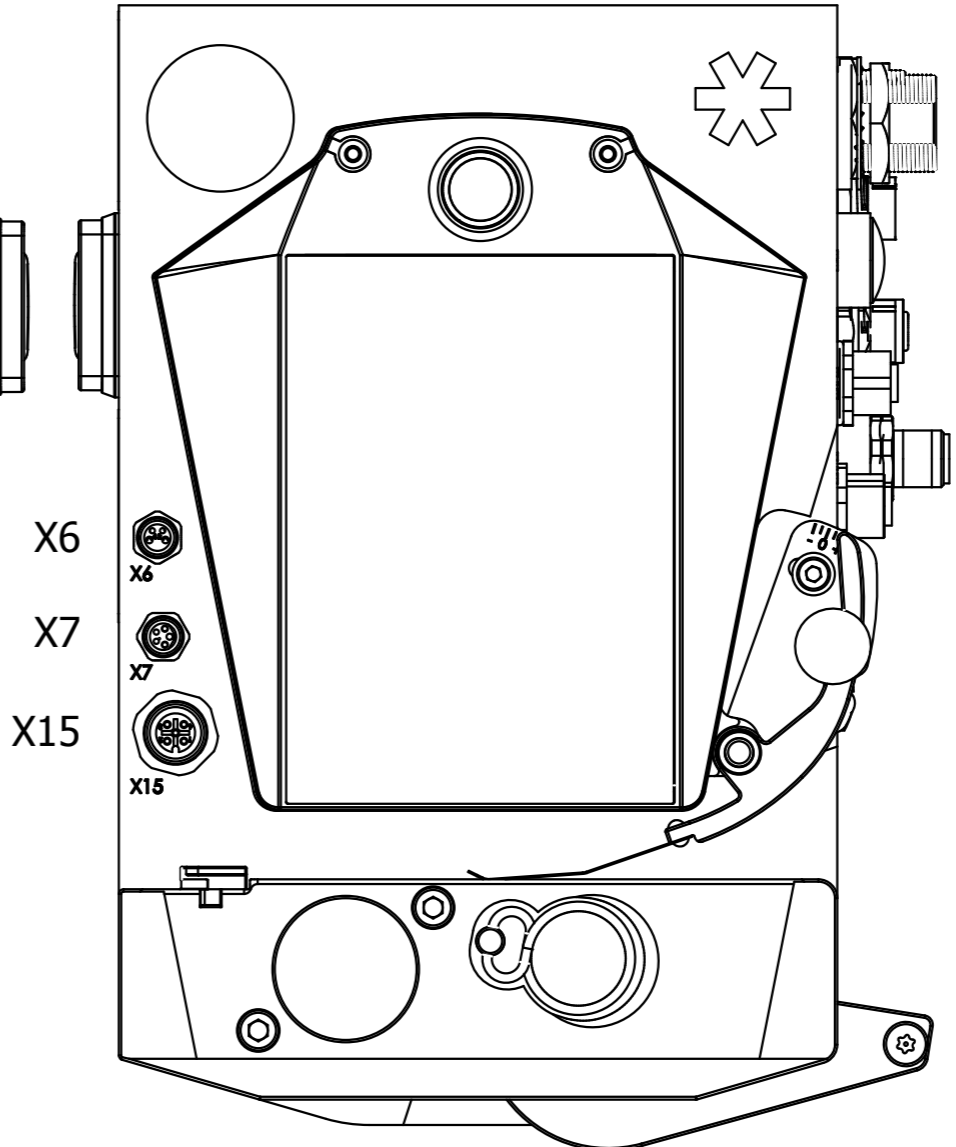
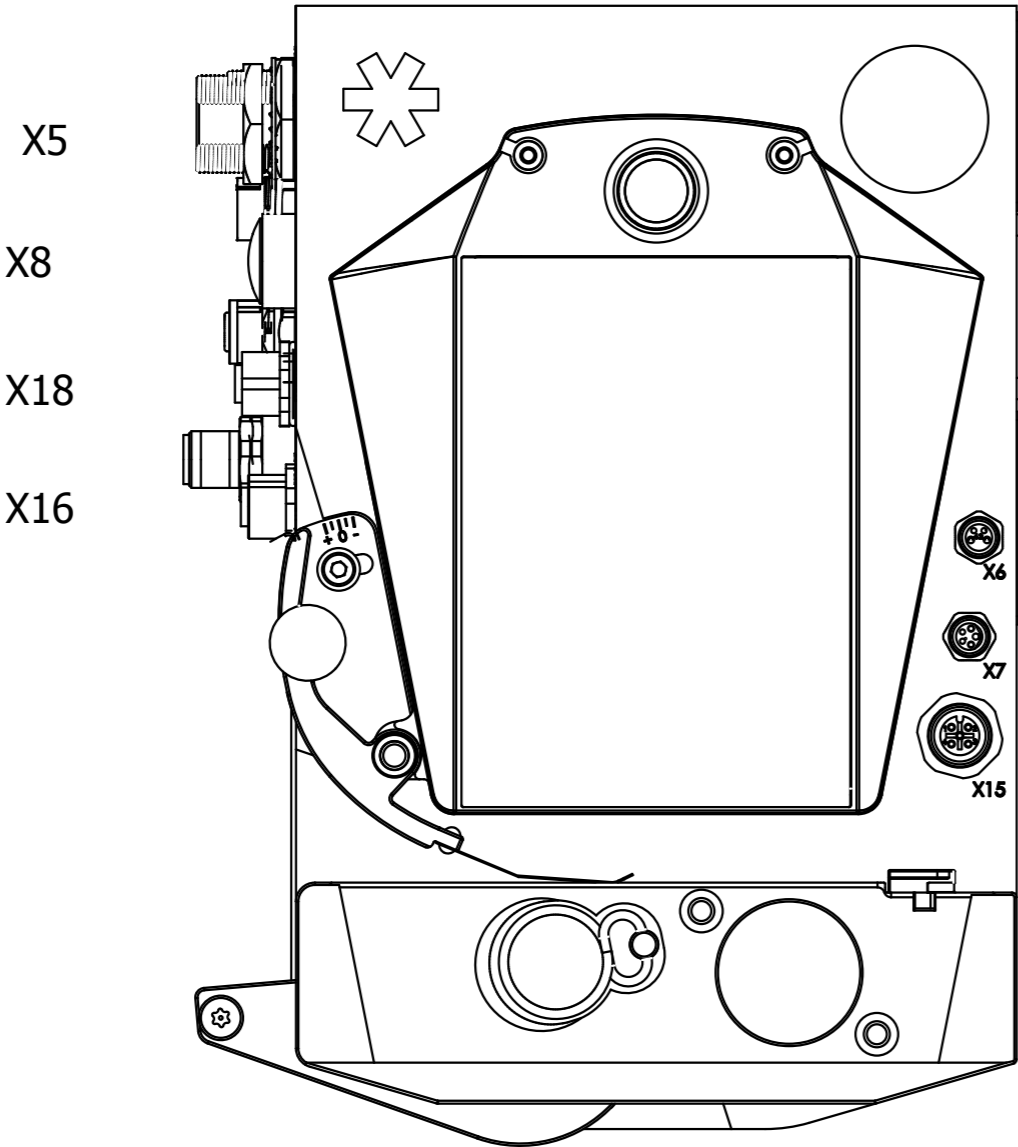
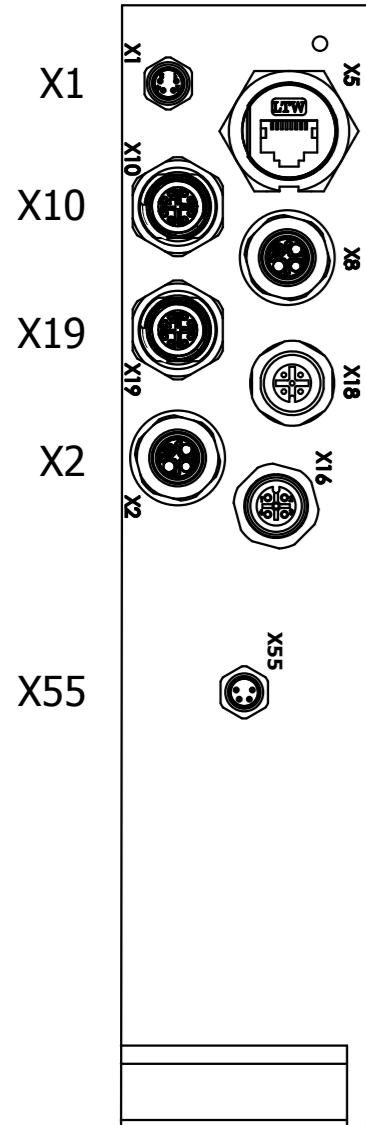
Date	03.08.2018
Ed.	vap
Modification	Date
Name	Appr
sro	

HERMA
HERMA GmbH
Fabrikstraße 15
70794 Filderstadt / Germany

HERMA
applicator

Option Masterencoder, Option CAN-Bus

829090	EN	= A1
applicator		+ E1
		Page 5.1
		total number 17



Date	03.08.2018			
Ed.	vap			
Modification	Date	Name	Appr	sro

HERMA
 HERMA GmbH
 Fabrikstraße 15
 70794 Filderstadt / Germany

HERMA
 applicator

connection points applicator

829090

EN

= A1
 + E1

applicator


Parts list

HermaStl_002

item designation	quantity	designation	manufacturer	part number	page / path	function text
+E1-2B2	1	sensor FS03	HERMA GmbH	680297	+E1/2.2	label sensor
+E1-2B2	1	Forked light barrier IGS 61/6D.2H,450-S1	Leuze electronic GmbH + Co. KG	618870	+E1/2.2	label sensor
+E1-2B2	1	Forked light barrier IGSU 14B/6D.3-S12	Leuze electronic GmbH + Co. KG	617981	+E1/2.2	label sensor
+E1-3B1	2	Light barrier Reflex FR 25 RG0-PS-M4M	SensoPart Industriesensorik GmbH	618420	+E1/3.1;+E1/3.1.1	start
+E1-3B1	2	Photoelectric proximity sensor FT 25 RHD	SensoPart Industriesensorik GmbH	618467	+E1/3.1;+E1/3.1.1	start
+E1-3B4	1	Light barrier Reflex FR 25 RG0-PS-M4M	SensoPart Industriesensorik GmbH	618420	+E1/3.4	end of label reel advance warning
+E1-3B4	1	Proximity switch NBB1,5-F41-E2-V3	Pepperl + Fuchs GmbH	97931	+E1/3.2.3	impulse counting
+E1-3B6	1	Proximity switch PNP S w plug	SECATEC electronic GmbH	97281	+E1/3.6	end of label reel
+E1-3B6	1	Light barrier Reflex FR 25 RG0-PS-M4M	SensoPart Industriesensorik GmbH	618420	+E1/3.6	end of label reel
+E1-1K0	1	board	Eolane SysCom GmbH	70039293	+E1/1.0	power supply with mains filter
+E1-1K0-1F1	1	Fuse 3,15 A nimble from version 212...	Conrad Electronic SE	619560	+E1/1.1	applicator
+E1-1K0-1F2	1	Fuse 3,15 A nimble from version 212...	Conrad Electronic SE	619560	+E1/1.1	applicator
+E1-1K6	1	operating panel	HERMA GmbH	70037543	+E1/1.6	display
+E1-2K6	1	Valve 572634 VUVG-L10-M52-RT-M5-1R8L	Festo AG & Co. KG	618033	+E1/2.5	transfer
+E1-4P	1	Light element TwinLIGHT LED grün	WERMA Signaltechnik GmbH + Co. KG	625579	+E1/4.2.1	light column
+E1-4P	1	Light element TwinLIGHT LED gelb	WERMA Signaltechnik GmbH + Co. KG	625577	+E1/4.2.1	light column
+E1-4P	1	Light element TwinLIGHT LED rot	WERMA Signaltechnik GmbH + Co. KG	625578	+E1/4.2.1	light column
+E1-4P	1	Beacon connector RM	WERMA Signaltechnik GmbH + Co. KG	625583	+E1/4.2.1	light column
+E1-1Q0	1	main switch	SCHURTER GmbH	619886	+E1/1.1	mains switch
+E1-X1	1	cable plug	CIS electronic GmbH	70040305	+E1/5.1	plug-in connector master encoder
+E1-X2	1	cable plug	CIS electronic GmbH	70040188	+E1/1.0	plug-in connector mains
+E1-X5	1	cable plug RJ45	Amphenol Tuchel Electronics GmbH	70041476	+E1/5.6	Webservice
+E1-X6	1	cable plug	CIS electronic GmbH	70040299	+E1/2.4	plug-in connector transfer
+E1-X7	1	cable plug	CIS electronic GmbH	70040302	+E1/2.7	plug-in connector pivot beak print
+E1-X8	1	cable plug	CIS electronic GmbH	70040196	+E1/1.2	plug-in connector mains
+E1-X10	1	cable plug	CIS electronic GmbH	70041518	+E1/4.1.0	plug-in connector I/O distributor 1
+E1-X15	1	flange	Börsig GmbH	70040207	+E1/2.2	plug-in connector label sensor

+E1/6

2


Date	03.08.2018	 HERMA HERMA GmbH Fabrikstraße 15 70794 Filderstadt / Germany	HERMA applicator	829090	EN	= A1 + STL	Page	1
Ed.	vap						bill of materials	total number
Modification	Date	Name	Appr					

Parts list

HermaStl_002

item designation	quantity	designation	manufacturer	part number	page / path	function text
+E1-X16	1	cable plug	Börsig GmbH	70040312	+E1/3.1	plug-in connector start
+E1-X18	1	cable plug	CIS electronic GmbH	70040208	+E1/5.4	plug-in connector CAN connection
+E1-X19	1	cable plug	CIS electronic GmbH	70039215	+E1/3.2.1	plug-in connector I/O distributor 2
+E1-X53	1	cable plug	CIS electronic GmbH	70039232	+E1/3.1.3	plug-in connector end of label reel advance warning
+E1-X53	1	cable	CIS electronic GmbH	70041458	+E1/3.2.3	plug-in connector end of label reel advance warning
+E1-X55	1	cable plug	Balluff GmbH	70040811	+E1/3.1.8	plug-in connector rewinder full
+M1-4P1	1	Light element TwinLIGHT LED grün	WERMA Signaltechnik GmbH + Co. KG	625579	+E1/4.2.1	ready
+M1-4P2	1	Light element TwinLIGHT LED gelb	WERMA Signaltechnik GmbH + Co. KG	625577	+E1/4.2.2	warning
+M1-4P3	1	Light element TwinLIGHT LED rot	WERMA Signaltechnik GmbH + Co. KG	625578	+E1/4.2.2	malfunction
+M1-4P4	1	Light element TwinLIGHT LED rot	WERMA Signaltechnik GmbH + Co. KG	625578	+E1/4.2.3	malfunction

1

			Date	03.08.2018	 HERMA HERMA GmbH Fabrikstraße 15 70794 Filderstadt / Germany	HERMA applicator	829090	EN	= A1	Page 2
			Ed.	vap					+ STL	
Modification	Date	Name	Appr						bill of materials	

